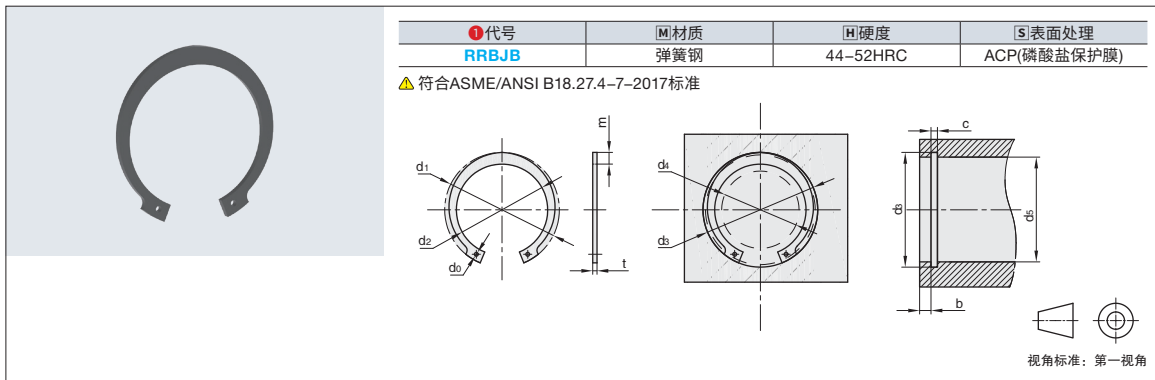


# 孔用挡圈



①代号 - ②公称代号  
RRBJB - 15

K1  
圆柱销/挡圈/开口销  
油嘴

①代号	②公称代号	挡圈						参考		适用孔(参考)							
		d <sub>1</sub>		d <sub>2</sub>	t		(m)	d <sub>0</sub>		d <sub>4</sub>	d <sub>5</sub>	d <sub>3</sub>		c	b		
		尺寸	容差		尺寸	容差		尺寸	容差			尺寸	容差			尺寸	容差
RRBJB	10	11.1		7.7			1.7			5.9	10	10.4					
	11	12.2		8.6			1.8			6.6	11	11.4					
	12	13.3		9.7			1.8			7.6	12	12.5					
	13	14.1	±0.18	10.9			1.6	0.9			9	13	13.6	+0.11 0			
	14	15.1		11.7			1.7				9.8	14	14.6				
	15	16.2		12.6			1.8		±0.3		10.6	15	15.7				
	16	17.3		13.5	1	±0.05	1.9				11.4	16	16.8		1.15		
	17	18.3		14.3			2				12.2	17	17.8				
	18	19.5		15.3			2.1				13	18	19				1.5
	19	20.5		16.1			2.2	1			13.8	19	20				
	20	21.5		16.9			2.3				14.5	20	21				
	21	22.5	±0.2	17.7			2.4				15	21	22	+0.21 0			
	22	23.5		18.7			2.4				16	22	23				
	24	25.9		20.7			2.6	1.2			17.5	24	25.2				
	25	26.9		21.5			2.7				18.5	25	26.2				
	26	27.9		22.3			2.8				19	26	27.2				
	28	30.1		24.1	1.2		3				20.5	28	29.4		1.35		
	30	32.1		25.7			3.2	1.4			22.5	30	31.4				
	32	34.4		27.4		±0.06	3.5		±0.4		23.5	32	33.7				
	34	36.5	±0.25	29.1			3.7				25	34	35.7				
	35	37.8		30			3.9	1.6			26	35	37				
	36	38.8		30.8	1.5		4				26.5	36	38	+0.25 0	1.65	+0.14 0	
	37	39.8		31.6			4.1				27.5	37	39				
	38	40.8		32.4			4.2				28	38	40				
	40	43.5		34.7			4.4				30	40	42.5				
	42	45.5	±0.4	36.3			4.6				31	42	44.5				
	45	48.5		38.9	1.75		4.8	2			33	45	47.5		1.9		
	47	50.5		40.7			4.9				35	47	49.5				2
	48	51.5		41.5			5				36	48	50.5				
	50	54.2		44			5.1				38	50	53				
	52	56.2		45.8		±0.07	5.2	2.2			40	52	55				
	55	59.2		48			5.6				42	55	58				
56	60.2		48.8			5.7		±0.5		43	56	59					
58	62.2		50.4	2		5.9	2.5			44	58	61					
60	64.2	±0.45	52			6.1				46	60	63	+0.3 0				
62	66.2		53.6			6.3	2.8			47	62	65					
63	67.2		54.4			6.4				48	63	66					
65	69.2		55.8			6.7				49	65	68					
68	72.5		58.5			7				52	68	71					
70	74.5		60.1			7.2				53	71	73					
72	76.5		61.7	2.5	±0.08	7.4				55	72	75		2.7		2.5	
75	79.5		63.9			7.8				57	75	78					
78	82.5		66.3			8.1		3.2		59	78	81					
80	85.5		68.9			8.3			±0.7	61	80	83.5					
85	90.5	±0.55	72.7			8.9				64	85	88.5	+0.35 0				
90	95.5		76.7	3	±0.09	9.4				68	90	93.5			3.2	+0.18 0	3
100	105.5		84.5			10.5				76	100	103.5					