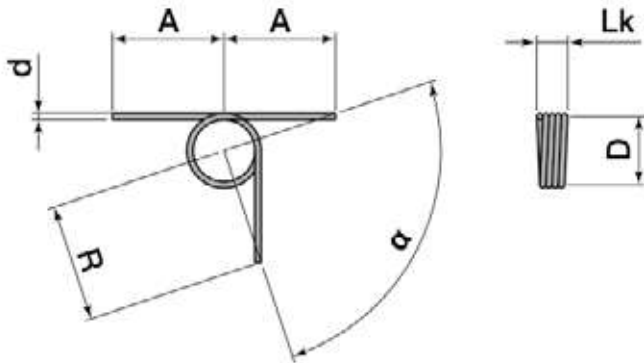


MOLLE DI TORSIONE CON TERMINALI A 180°

TORSION SPRINGS WITH 180° PINS



d = diametro del filo
Dm = diametro medio di avvolgim. (D_i+d)
D_i = diametro interno
D_e = diametro esterno
n = numero spire
L_k = lunghezza corpo molla $(n+1)d$
 α° = rotazione angolare applicata in gradi
M = momento risultante $M = (R \times F)$
R = leva
F = forza in N
A = lunghezza dei bracci

d = wire diameter
Dm = average winding diameter
D_i = internal diameter
D_e = external diameter
n = number of turns
L_k = length of spring body
 α° = angle rotation applied in degrees
M = torsional moment = $(R \times F)$
R = lever
F = Force in N
A = length of arms

CARATTERISTICHE

Acciaio al carbonio:
 Acciaio inossidabile:
 Tolleranze:
 Finitura:
 Posizione:
 Avvolgimento:

Uni EN 10270.1 - SH
Uni EN 10270.3 - NS 1.4310
DIN 2194 Grado 2
Oliatura solo per molle in acciaio al carbonio
Bracci diritti con relazione angolare a 180°
Destro o Sinistro a spire accostate senza passo

CHARACTERISTICS

Steel wire:
 Stainless steel:
 Tolerances:
 Finishes:
 Position:
 Winding:

Uni EN 10270.1 - SH
Uni EN 10270.3 - NS 1.4310
DIN 2194 Grade 2
Greasing only for carbon steel springs
Straight arms with an angle of 180°
Right or left with winding turns without pitch

d mm	α°	M Nmm	A	n	Acciaio al carbonio High Carbon steel Uni EN 10270.1 - SH				Acciaio inossidabile Stainless steel Uni EN 10270.3 - NS			
					Dm	Codice Part Number		Gruppo prezzo Price group	Dm	Codice Part Number		Gruppo prezzo Price group
						avvolgimento destro righthand coiling	avvolgimento sinistro lefthand coiling			avvolgimento destro righthand coiling	avvolgimento sinistro lefthand coiling	
0,50	360	20	30	12	5,30	TS510D	TS510S	GA	4,90	TS610D	TS610S	GF
				11	5,80	TS511D	TS511S	GA	5,30	TS611D	TS611S	GF
				10	6,30	TS512D	TS512S	GA	5,80	TS612D	TS612S	GF
				9	7,00	TS513D	TS513S	GA	6,50	TS613D	TS613S	GF
				8	7,90	TS514D	TS514S	GA	7,30	TS614D	TS614S	GF
				7	9,00	TS515D	TS515S	GA	8,30	TS615D	TS615S	GF
				6	10,50	TS516D	TS516S	GA	9,70	TS616D	TS616S	GF
				0,63	360	40	35	12	6,60	TS517D	TS517S	GA
11	7,20	TS518D	TS518S					GA	6,70	TS618D	TS618S	GF
10	8,00	TS519D	TS519S					GA	7,40	TS619D	TS619S	GF
9	8,90	TS520D	TS520S					GA	8,20	TS620D	TS620S	GF
8	10,00	TS521D	TS521S					GA	9,20	TS621D	TS621S	GF
7	11,40	TS522D	TS522S					GA	10,50	TS622D	TS622S	GF
6	13,30	TS523D	TS523S					GA	12,30	TS623D	TS623S	GF
0,80	360	80	40					12	8,60	TS524D	TS524S	GA
				11	9,40	TS525D	TS525S	GA	8,70	TS625D	TS625S	GF
				10	10,40	TS526D	TS526S	GA	9,60	TS626D	TS626S	GF
				9	11,50	TS527D	TS527S	GA	10,60	TS627D	TS627S	GF
				8	12,90	TS528D	TS528S	GA	12,00	TS628D	TS628S	GF
				7	14,80	TS529D	TS529S	GA	13,70	TS629D	TS629S	GF
				6	17,30	TS530D	TS530S	GA	15,90	TS630D	TS630S	GF
				1,00	360	160	45	12	10,50	TS531D	TS531S	GB
11	11,50	TS532D	TS532S					GB	10,60	TS632D	TS632S	GG
10	12,60	TS533D	TS533S					GB	11,70	TS633D	TS633S	GG
9	14,00	TS534D	TS534S					GB	13,00	TS634D	TS634S	GG
8	15,80	TS535D	TS535S					GB	14,60	TS635D	TS635S	GG
7	18,10	TS536D	TS536S					GB	16,70	TS636D	TS636S	GG
6	21,10	TS537D	TS537S					GB	19,50	TS637D	TS637S	GG
1,25	360	280	60					12	14,70	TS538D	TS538S	GB
				11	16,00	TS539D	TS539S	GB	14,80	TS639D	TS639S	GG
				10	17,60	TS540D	TS540S	GB	16,30	TS640D	TS640S	GG
				9	19,60	TS541D	TS541S	GB	18,10	TS641D	TS641S	GG
				8	22,00	TS542D	TS542S	GB	20,40	TS642D	TS642S	GG
				7	25,20	TS543D	TS543S	GB	23,30	TS643D	TS643S	GG
				6	29,40	TS544D	TS544S	GB	27,10	TS644D	TS644S	GG
				1,60	360	580	60	12	19,00	TS545D	TS545S	GC
11	20,80	TS546D	TS546S					GC	19,20	TS646D	TS646S	GH
10	22,90	TS547D	TS547S					GC	21,10	TS647D	TS647S	GH
9	25,40	TS548D	TS548S					GC	23,50	TS648D	TS648S	GH
8	28,60	TS549D	TS549S					GC	26,40	TS649D	TS649S	GH
7	32,60	TS550D	TS550S					GC	30,20	TS650D	TS650S	GH
6	38,10	TS551D	TS551S					GC	35,20	TS651D	TS651S	GH
1,80	360	830	60					12	21,30	TS552D	TS552S	GC
				11	23,30	TS553D	TS553S	GC	21,50	TS653D	TS653S	GH
				10	25,60	TS554D	TS554S	GC	23,60	TS654D	TS654S	GH
				9	28,40	TS555D	TS555S	GC	26,30	TS655D	TS655S	GH
				8	32,00	TS556D	TS556S	GC	29,50	TS656D	TS656S	GH
				7	36,50	TS557D	TS557S	GC	33,80	TS657D	TS657S	GH
				6	42,60	TS558D	TS558S	GC	39,40	TS658D	TS658S	GH
				2,00	360	1100	70	12	24,50	TS559D	TS559S	GC
11	26,70	TS560D	TS560S					GC	24,70	TS660D	TS660S	GI
10	29,40	TS561D	TS561S					GC	27,20	TS661D	TS661S	GI
9	32,70	TS562D	TS562S					GC	30,20	TS662D	TS662S	GI
8	36,80	TS563D	TS563S					GC	34,00	TS663D	TS663S	GI
7	42,00	TS564D	TS564S					GC	38,00	TS664D	TS664S	GI
6	49,00	TS565D	TS565S					GC	45,30	TS665D	TS665S	GI
2,20	360	1460	80					12	27,00	TS566D	TS566S	GD
				11	29,50	TS567D	TS567S	GD	27,20	TS667D	TS667S	GK
				10	32,50	TS568D	TS568S	GD	30,00	TS668D	TS668S	GK
				9	36,10	TS569D	TS569S	GD	33,30	TS669D	TS669S	GK
				8	40,60	TS570D	TS570S	GD	37,50	TS670D	TS670S	GK
				7	46,40	TS571D	TS571S	GD	42,80	TS671D	TS671S	GK
				6	54,10	TS572D	TS572S	GD	50,00	TS672D	TS672S	GK
				2,50	360	2070	90	12	31,80	TS573D	TS573S	GE
11	34,70	TS574D	TS574S					GE	32,00	TS674D	TS674S	GL
10	38,20	TS575D	TS575S					GE	35,30	TS675D	TS675S	GL
9	42,40	TS576D	TS576S					GE	39,20	TS676D	TS676S	GL
8	47,70	TS577D	TS577S					GE	44,10	TS677D	TS677S	GL
7	54,50	TS578D	TS578S					GE	50,40	TS678D	TS678S	GL
6	63,60	TS579D	TS579S					GE	58,70	TS679D	TS679S	GL