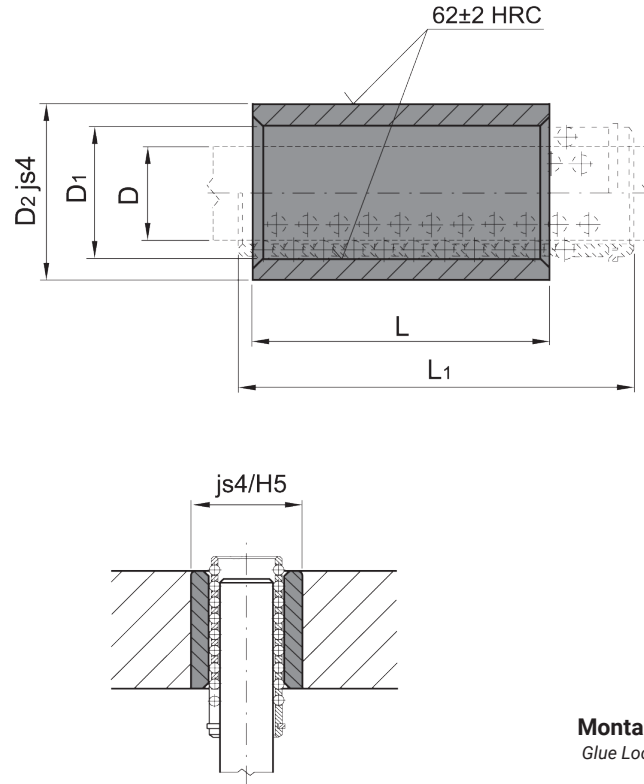


Tuleja prowadząca – do prowadzenia kulkowego

Guide bushing ball bearing

FCB



Montaż na klej Loctite 648
Glue Loctite 648 mounting

D	D1	D2	L1	L	NR KAT.
20	26	32	43	23	FCB-20023
			43	30	FCB-20030
			43	37	FCB-20037
			54	47	FCB-20047
			74	60	FCB-20060
			95	77	FCB-20077
25	31	40	43	23	FCB-25023
			43	30	FCB-25030
			43	37	FCB-25037
			56	47	FCB-25047
			74	60	FCB-25060
			90	77	FCB-25077
32	40	48	45	30	FCB-32030
			54	37	FCB-32037
			54	47	FCB-32047
			71	60	FCB-32060
			83	77	FCB-32077
			103	95	FCB-32095

Tuleja prowadząca – do prowadzenia kulkowego

Guide bushing ball bearing

FCB

D	D1	D2	L1	L	NR KAT.
40	48	58	45	30	FCB-40030
			58	37	FCB-40037
			58	47	FCB-40047
			80	60	FCB-40060
			94	77	FCB-40077
			128	95	FCB-40095
			128	120	FCB-40120
50	58	70	50	37	FCB-50037
			63	47	FCB-50047
			74	60	FCB-50060
			95	77	FCB-50077
			108	95	FCB-50095
			128	120	FCB-50120
63	73	85	95	60	FCB-63060
			95	77	FCB-63077
			113	95	FCB-63095
			128	120	FCB-63120
80	92	105	138	120	FCB-80120