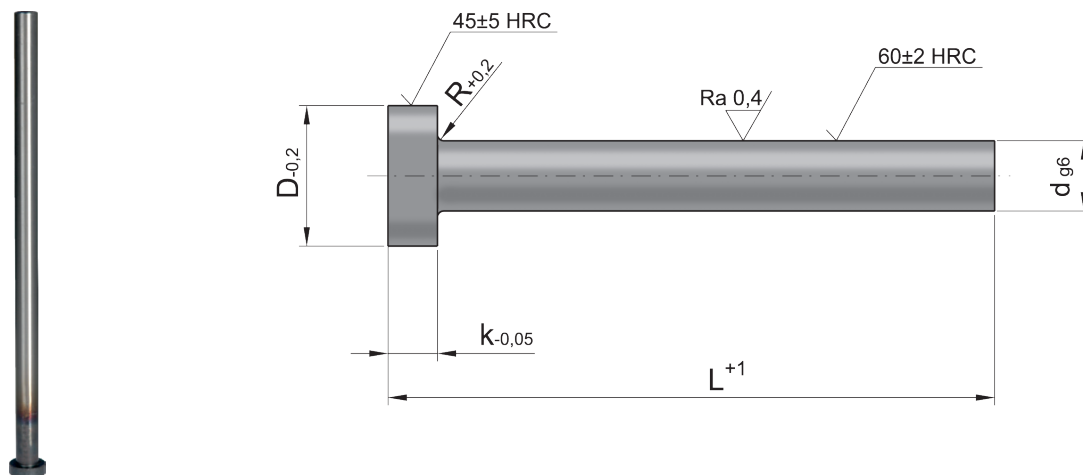


**Wypychacz hartowany**

Ejector pin hardened

**WH**

DIN 1530 / ISO 6751



**Uwaga: Dostępne także z powłoką DLC**  
**W celu zamówienia skontaktuj się z nami.**  
 Note: DLC coating available. Contact FCPK for details.

**Mat.: Stal narzędziowa Tool steel 250°C**

d	D	k	R	NR KAT.								
				L								
				80	100	125	160	200	250	315	400	
1,5	3	1,5	0,2	WH-015080	WH-015100	WH-015125	WH-015160	WH-015200				
1,6				WH-016080	WH-016100	WH-016125	WH-016160	WH-016200				
1,7					WH-017100	WH-017125	WH-017160	WH-017200				
1,8					WH-018100	WH-018125	WH-018160	WH-018200				
2	4	2	0,2	WH-020080	WH-020100	WH-020125	WH-020160	WH-020200	WH-020250			
2,1						WH-021160						
2,2				WH-022080	WH-022100	WH-022125	WH-022160	WH-022200	WH-022250			
2,5	5	0,2	0,2	WH-025080	WH-025100	WH-025125	WH-025160	WH-025200	WH-025250			
2,7				WH-027080	WH-027100	WH-027125	WH-027160	WH-027200	WH-027250			
3	6	3	0,3	WH-030080	WH-030100	WH-030125	WH-030160	WH-030200	WH-030250	WH-030315		
3,1						WH-031160						
3,2				WH-032080	WH-032100	WH-032125	WH-032160	WH-032200	WH-032250	WH-032315		
3,5	7	0,3	0,3	WH-035080	WH-035100	WH-035125	WH-035160	WH-035200	WH-035250	WH-035315		
3,7				WH-037080	WH-037100	WH-037125	WH-037160	WH-037200	WH-037250	WH-037315		
4	8	0,3	0,3	WH-040080	WH-040100	WH-040125	WH-040160	WH-040200	WH-040250	WH-040315	WH-040400	
4,1						WH-041160						
4,2				WH-042080	WH-042100	WH-042125	WH-042160	WH-042200	WH-042250	WH-042315	WH-042400	
4,5				WH-045080	WH-045100	WH-045125	WH-045160	WH-045200	WH-045250	WH-045315	WH-045400	
4,7	10	0,3	0,3	WH-047080	WH-047100	WH-047125	WH-047160	WH-047200	WH-047250	WH-047315	WH-047400	
5				WH-050080	WH-050100	WH-050125	WH-050160	WH-050200	WH-050250	WH-050315	WH-050400	
5,1							WH-051200					
5,2	10	0,3	0,3	WH-052080	WH-052100	WH-052125	WH-052160	WH-052200	WH-052250	WH-052315	WH-052400	
5,5					WH-055100	WH-055125	WH-055160	WH-055200	WH-055250	WH-055315	WH-055400	

## Wypychacz hartowany

Ejector pin hardened

# WH

d	D	k	R	NR KAT.								
				L								
				80	100	125	160	200	250	315	400	500
6	12			WH-060080	WH-060100	WH-060125	WH-060160	WH-060200	WH-060250	WH-060315	WH-060400	
6,1							WH-061200					
6,2				WH-062080	WH-062100	WH-062125	WH-062160	WH-062200	WH-062250	WH-062315	WH-062400	
6,5					WH-065100	WH-065125	WH-065160	WH-065200	WH-065250	WH-065315	WH-065400	
7					WH-070100	WH-070125	WH-070160	WH-070200	WH-070250	WH-070315	WH-070400	
8	14	5	0,5	WH-080080	WH-080100	WH-080125	WH-080160	WH-080200	WH-080250	WH-080315	WH-080400	
8,1							WH-081200					
8,2				WH-082080	WH-082100	WH-082125	WH-082160	WH-082200	WH-082250	WH-082315	WH-082400	
8,5					WH-085100	WH-085125	WH-085160	WH-085200	WH-085250	WH-085315	WH-085400	
9					WH-090100	WH-090125	WH-090160	WH-090200	WH-090250	WH-090315	WH-090400	
10	16			WH-100080	WH-100100	WH-100125	WH-100160	WH-100200	WH-100250	WH-100315	WH-100400	
10,1							WH-101200					
10,2				WH-102080	WH-102100	WH-102125	WH-102160	WH-102200	WH-102250	WH-102315	WH-102400	
10,5					WH-105100	WH-105125	WH-105160	WH-105200	WH-105250	WH-105315	WH-105400	
11					WH-110100	WH-110125	WH-110160	WH-110200	WH-110250	WH-110315	WH-110400	
12	18	7	0,8	WH-120080	WH-120100	WH-120125	WH-120160	WH-120200	WH-120250	WH-120315	WH-120400	WH-120500
12,1							WH-121200					
12,2					WH-122100	WH-122125	WH-122160	WH-122200	WH-122250	WH-122315	WH-122400	WH-122500
12,5					WH-125100	WH-125125	WH-125160	WH-125200	WH-125250	WH-125315	WH-125400	WH-125500
14				22	WH-140080	WH-140100	WH-140125	WH-140160	WH-140200	WH-140250	WH-140315	WH-140400
16	WH-160080	WH-160100	WH-160125		WH-160160	WH-160200	WH-160250	WH-160315	WH-160400	WH-160500		
18	WH-180100	WH-180125	WH-180160		WH-180200	WH-180250	WH-180315	WH-180400	WH-180500			
20	26	8	1		WH-200100	WH-200125	WH-200160	WH-200200	WH-200250	WH-200315	WH-200400	WH-200500

**Uwaga. Inne wymiary na zapytanie**

*Note. Other dimensions on request.*