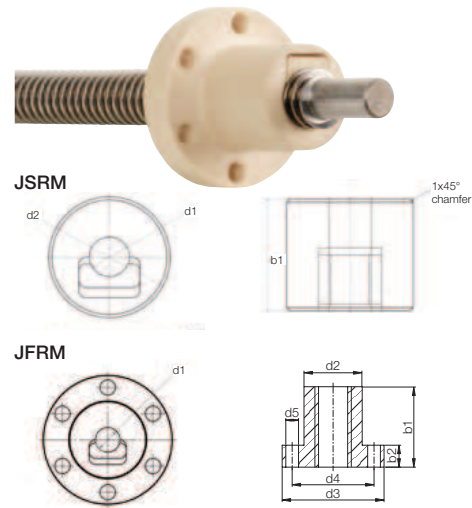
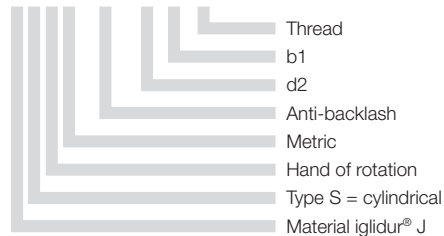


Anti-backlash lead screw nuts, made from iglidur® J, right-hand thread  
igidur® J – Best wear in dry operation



Order key

JSRM-AB-2220TR8x1.5



## Dimensions [mm]

Part number	d2	b1	Thread	max. stat. F axial [N]
cylindrical				
			d1 x P	
JSRM-AB-2220-TR8x1.5	22	20	TR8x1.5	500
JSRM-AB-2220-TR10x2	22	20	TR10x2	840
JSRM-AB-2624-TR12x3	26	24	TR12x3	1,185
JSRM-AB-3632-TR16x4	36	32	TR16x4	2,110
JSRM-AB-4036-TR18x4	40	36	TR18x4	2,700
JSRM-AB-4540-TR20x4	45	40	TR20x4	3,400
JSRM-AB-5048-TR24x5	50	48	TR24x5	4,800

## Dimensions [mm]

Part number	d2	d3	d4	d5	b1	b2	Thread	max. stat. F axial [N]
with flange								
							d1 x P	
JFRM-AB-2525-TR10x2	25	42	34	5	25	10	TR10x2	1,160
JFRM-AB-2525-TR10x3	25	42	34	5	25	10	TR10x3	1,110
JFRM-AB-2835-TR14x4	28	48	38	6	35	12	TR14x4	2,390
JFRM-AB-2835-TR16x2	28	48	38	6	35	12	TR16x2	2,300
JFRM-AB-2835-TR16x4	28	48	38	6	35	12	TR16x4	2,520
JFRM-AB-2835-TR18x4	28	48	38	6	35	12	TR18x4	2,890
JFRM-AB-3244-TR20x4	32	55	45	7	44	12	TR20x4	4,080
JFRM-AB-3244-TR24x5	32	55	45	7	44	12	TR24x5	4,890

Other thread sizes and nut designs with Anti-backlash function upon request

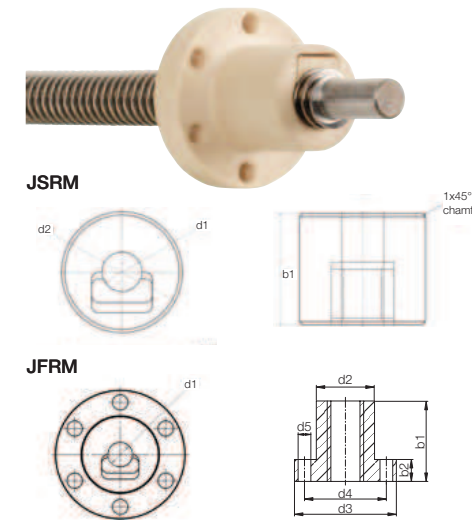


delivery from stock  
time



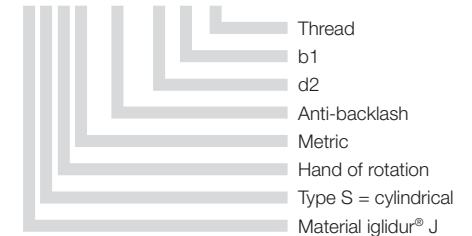
prices price list online  
www.igus.eu/eu/jsrm-ab

Anti-backlash lead screw nuts, made from iglidur® J, left-hand thread  
igidur® J – Best wear in dry operation



Order key

JSLM-AB-2220TR8x1.5



## Dimensions [mm]

Part number	d2	b1	Thread	max. stat. F axial [N]
cylindrical				
			d1 x P	
JSLM-AB-2220-TR10x2	22	20	TR10x2	840

## Dimensions [mm]

Part number	d2	d3	d4	d5	b1	b2	Thread	max. stat. F axial [N]
with flange								
							d1 x P	
JFLM-AB-2835-TR16x42	28	48	38	6	35	12	TR16x2	2,300
JFLM-AB-2835-TR16x4	28	48	38	6	35	12	TR16x4	2,520
JFLM-AB-2835-TR18x4	28	48	38	6	35	12	TR18x4	2,890
JFLM-AB-3244-TR20x4	32	55	45	7	44	12	TR20x4	4,080
JFLM-AB-3244-TR34x5	32	55	38	7	44	12	TR34x5	4,890

Other thread sizes and nut designs with Anti-backlash function upon request



Backlash refers to the play at direction reversal, which is caused in a screw drive by the axial clearance. By means of a radial pretensioning using a spring elastomer, vibrations and self-excited oscillations (often the cause of noises, especially with long spindles and high speed) are significantly reduced.



delivery from stock  
time



prices price list online  
www.igus.eu/eu/jslm-ab