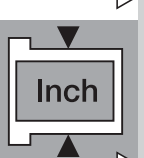
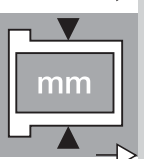
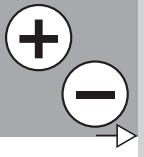


iglidur® G

Phone +49 - 22 03 - 96 49-145
 Fax +49 - 22 03 - 96 49-334



iglidur® G – The All-Round Performer



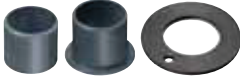
- Maintenance-free, dry running
- High wear resistance
- Resistance to dust and dirt
- Over 650 sizes available ex stock
- Cost-effective



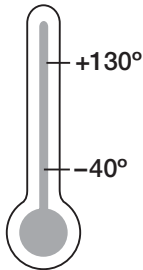
iglidur® G bearings cover an extremely wide range of differing requirements – they are truly “all round”. Typical applications cover medium to high loads, medium sliding speeds and medium temperatures.

iglidur® G

3 styles
> 650 dimensions
Ø 1–150 mm



Phone +49 - 22 03 - 96 49-145
Fax +49 - 22 03 - 96 49-334



igus® GmbH
51147 Cologne

Price index



The All-Round Performer



When to use iglidur® G plain bearings:

- When you need an economical all-round performance bearing
- For above average loads
- For low to average running speeds
- When the bearing needs to run on different shaft materials
- For oscillating and rotational movements
- Multi-purpose use
- For dry running
- Dirt resistant
- Vibration dampening

When not to use iglidur® G plain bearings:

- When mechanical reaming of the wall surface is necessary
▶ iglidur® M250 (chapter 4)
- When the highest wear resistance is necessary
▶ iglidur® W300 (chapter 5)
- If temperatures are constantly greater than 130°C
▶ iglidur® H (chapter 12),
iglidur® X (chapter 6)
- For underwater use
▶ iglidur® H (chapter 12),
iglidur® X (chapter 6),
iglidur® H370 (chapter 15)



Picture 2.1: Reliable under high load, wear resistant during rotations in constant use

Material Table

General Properties	Unit	iglidur® G	Testing Method
Density	g/cm ³	1,46	
Colour		Dark grey	
Max. moisture absorption at 23°C / 50% r.F.	% weight	0,7	DIN 53495
Max. moisture absorption	% weight	4,0	
Coefficient of sliding friction, dynamic against steel	μ	0,08 - 0,15	
p x v value, max. (dry)	MPa x m/s	0,42	
Mechanical Properties			
Modulus of elasticity	MPa	7.800	DIN 53457
Tensile strength at 20°C	MPa	210	DIN 53452
Compressive strength	MPa	78	
Max. recommended surface pressure (20°C)	MPa	80	
Shore D hardness		81	DIN 53505
Physical and Thermal Properties			
Max. long term application temperature	°C	130	
Max. short term application temperature	°C	220	
Min. application temperature	°C	-40	
Thermal conductivity	W/m x K	0,24	ASTM C 177
Coefficient of thermal expansion (at 23°C)	K ⁻¹ x 10 ⁻⁵	9	DIN 53752
Electrical Properties			
Specific volume resistance	Ωcm	> 10 ¹³	DIN IEC 93
Surface resistance	Ω	> 10 ¹¹	DIN 53482

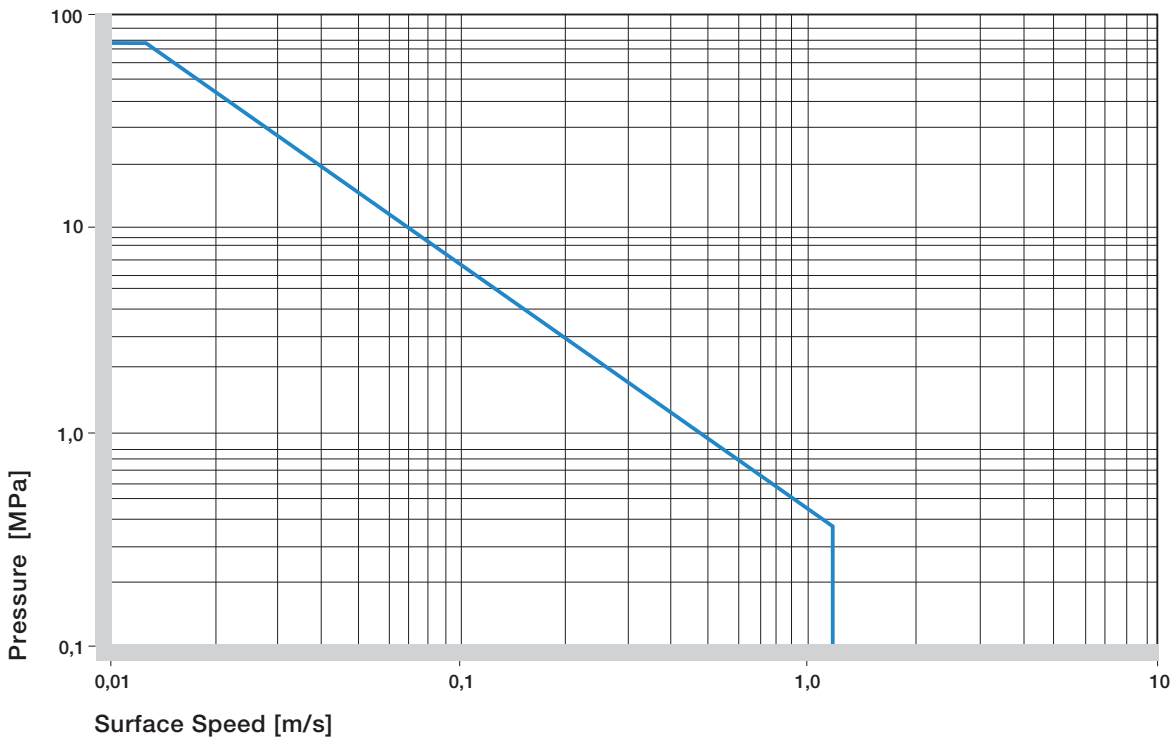
Table 2.1: Material Data



Picture 2.2: tested at a load of 18,000 N for 10,000 cycles, resulted in no measurable wear

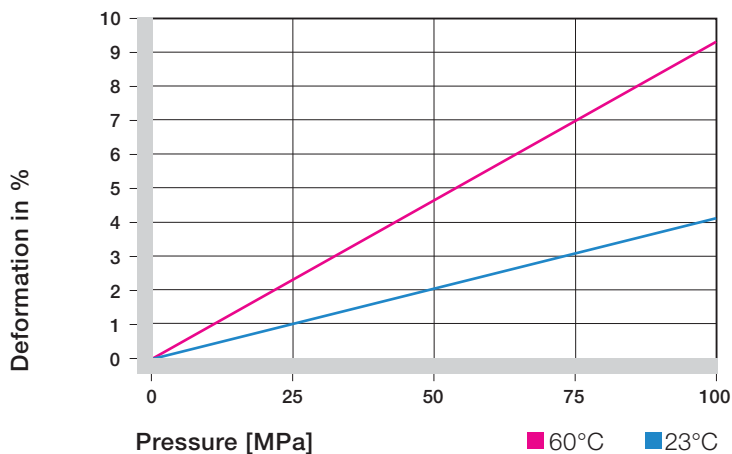


Picture 2.3: The pneumatic rotational drive unit in steam lines at steam temperatures up to 135°C



Graph 2.1: Permissible p x v values for iglidur® G running dry against a steel shaft, at 20°C

Navigation controls including: +, - buttons, an information icon (i), and unit selection buttons for mm and Inch.



Graph 2.2: Deformation under pressure and temperature

Surface Pressure

Picture 2.2 shows the elastic deformation of iglidur® G during radial loading. At the recommended maximum surface pressure of 80 MPa the deformation is less than 5%. The plastic deformation is minimal up to a pressure of approximately 100 MPa. However, it is also dependant on the cycle time.

- ☑ Graph 2.2
- ▶ Surface Pressure, page 1.18

Permissible Surface Speeds

iglidur® G has been developed for low to medium surface speeds. The maximum values shown in table 2.2 can only be achieved at low pressures. At the given speeds, friction can cause a temperature increase to maximum permissible levels. In practice, though, this temperature level is rarely reached, due to varying application conditions.

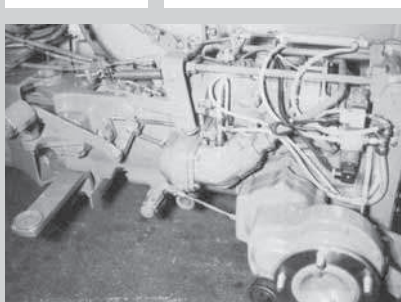
- ▶ Surface Speed, page 1.20
- ▶ p x v value, page 1.22

m/s	Rotating	Oscillating	Linear
Continuous	1	0,7	4
Short term	2	1,4	5

Table 2.2: Maximum running speed

iglidur® G	Application Temperature
Minimum	-40 °C
Max. long term	+130 °C
Max. short term	+220 °C

Table 2.3: Temperature limits for iglidur® G



Picture 2.4: Vibrations, dirt, and temperatures up to 130°C occur in the area surrounding the engine



Picture 2.5: Conveyor chains: Through edge loading, short term surface pressures of over 50 MPa can occur

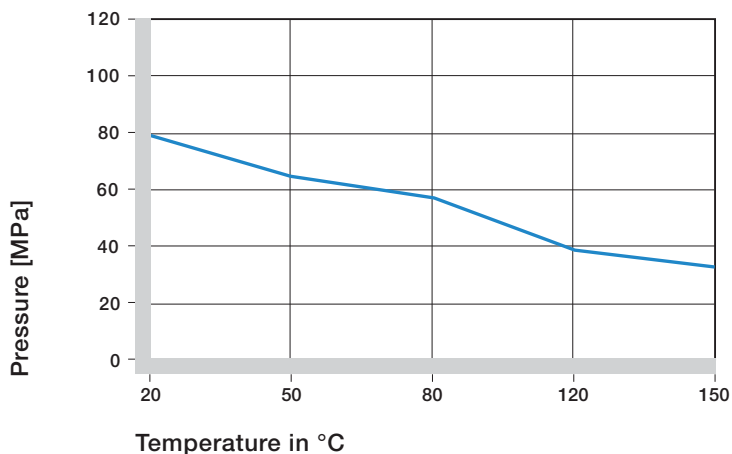
Temperatures

Application temperatures greatly affect the properties of plain bearings.

The short term maximum temperature is 220°C, this allows the use of iglidur® G plain bearings in heat treating applications in which the bearings are not subjected to additional loading.

With increasing temperatures, the compressive strength of iglidur® G plain bearings decreases. The Graph 2.3 shows this inverse relationship. However, at the long-term maximum temperature of 130°C the permissible surface pressure is still above 35 MPa.

The ambient temperatures that are prevalent in applications also have an effect on the bearing wear. With increasing temperatures, the wear increases and this effect is significant when temperatures rise over 120°C.



Graph 2.3: Recommended maximum surface pressure of iglidur® G as a function of temperature

- ☑ Graph 2.3
- ▶ Application Temperatures, page 1.23

Friction and Wear

Similar to wear resistance, the coefficient of friction μ also changes with the load. The coefficient of friction decreases with increasing loads, whereas an increase in surface speed causes an increase of the coefficient of friction. This relationship explains the excellent results of iglidur® G plain bearings for high loads and low speeds (see Graphs 2.4 and 2.5).

The friction and wear are also dependent, to a large degree, on the shaft material. Shafts that are too smooth, increase both the coefficient of friction and the wear of the bearing. For iglidur® G a ground surface with an average roughness $R_a = 0.8 \mu\text{m}$ is recommended (see Graph 2.6).

- ☑ Graphs 2.4 to 2.6
- ▶ Coefficients of Friction and Surfaces, page 1.25
- ▶ Wear Resistance, page 1.26

Shaft Materials

Graphs 2.7 and 2.8 show results of testing different shaft materials with plain bearings made of iglidur® G.

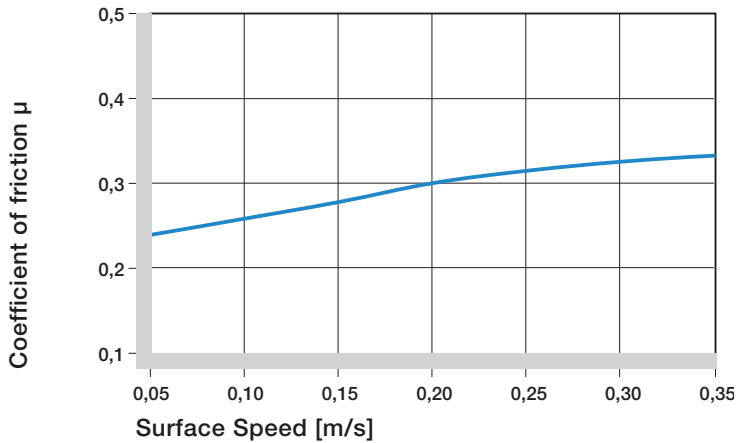
In Graph 2.7 it shows that iglidur® G can be combined with various shaft materials. The simple shaft materials of free-cutting steel and HR carbon steel have proven best at low loads. This helps to design cost-effective systems, since both iglidur® G and the shaft are economically priced.

It is important to notice that with increasing loads, the recommended hardness of the shaft increases. The “soft” shafts tend to wear more easily and thus increase the wear of the overall system. If the loads exceed 2 MPa it is important to recognize that the wear rate (the gradient of the curves) clearly decreases with the hard shaft materials.

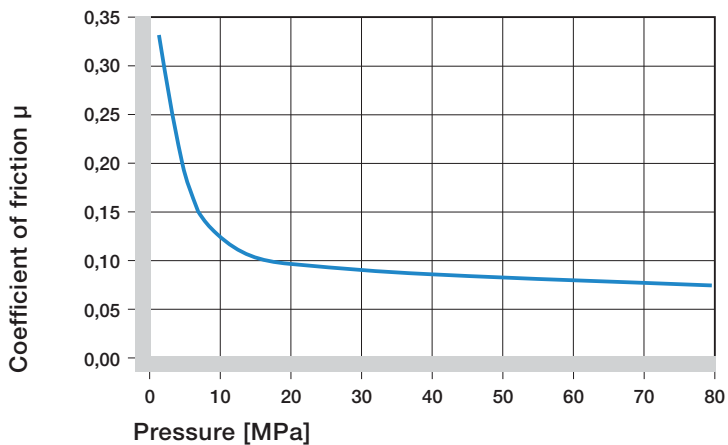
The comparison of rotational movements to oscillating movements shows that iglidur® G provides advantages in oscillating movements. The wear of the bearing is smaller for equivalent conditions. The higher the load, the greater the difference. This means that iglidur® G can be used for oscillating movements that are well above the given maximum load of 80 MPa.

iglidur® G	Dry	Grease	Oil	Water
C.o.f. [μ]	0,08–0,15	0,09	0,04	0,04

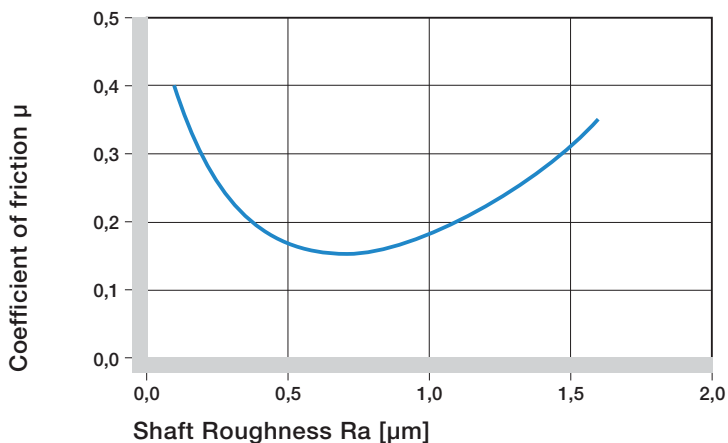
Table 2.4: Coefficient of friction for iglidur® G against steel ($R_a = 1 \mu\text{m}$, 50 HRC)



Graph 2.4: Coefficient of friction of iglidur® G as a function of the running speed, $p = 0.75 \text{ MPa}$



Graph 2.5: Coefficient of friction of iglidur® G as a function of the pressure



Graph 2.6: Coefficient of friction as function of the shaft surface (Cf53 hardened and ground steel)



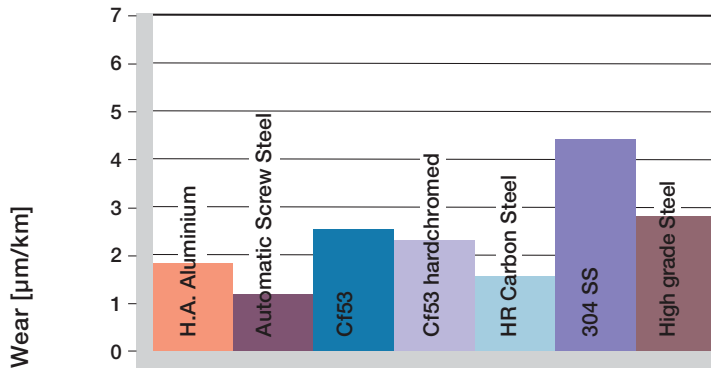
iglidur® G

Phone +49 - 22 03 - 96 49-145
Fax +49 - 22 03 - 96 49-334

igus® GmbH
51147 Cologne

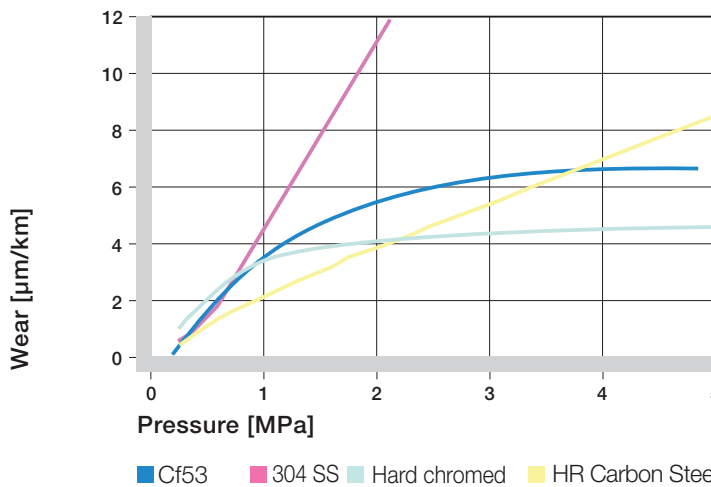
Internet www.igus.de
E-mail info@igus.de

2.6

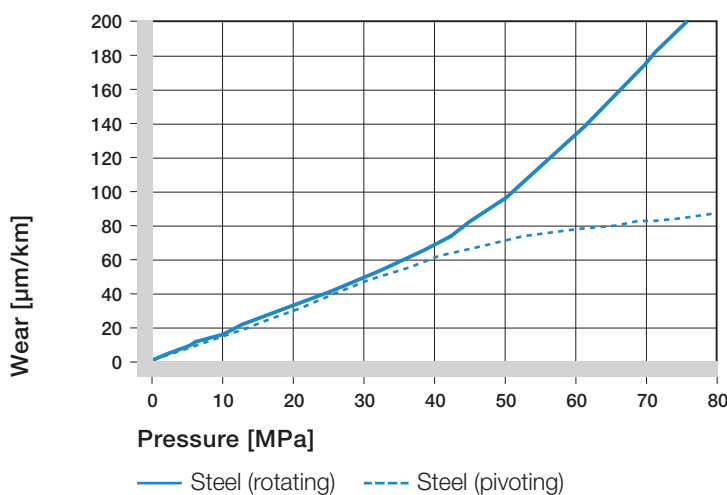


Shaft materials

Graph 2.7: Wear of iglidur® G, rotating with different shaft materials, pressure $p = 0.75$ MPa, $v = 0.5$ m/s



Graph 2.8: Wear with different shaft materials in rotational operation, as a function of the pressure



Graph 2.9: Wear for pivoting and rotating applications with shaft material Cf53 hardened and ground steel, as a function of the pressure

For these loads, the use of hardened shafts is recommended.

In addition to the shaft materials presented here, many others have been tested. If the shaft material you plan on using is not shown in these test results, please contact us.

Graphs 2.7 to 2.9

Shaft Materials, pages 1.2

Installation Tolerances

iglidur® G plain bearings are meant to be oversized before pressfit. The bearings are designed for pressfit into a housing machined to a H7 tolerance. After being assembled into a nominal size housing, the inner diameter adjusts to meet our specified tolerances. Please adhere to the catalogue specifications for housing bore and recommended shaft sizes. This will help to ensure an optimal performance of iglidur® plain bearings. Please contact an iglidur® technical expert for more information.

Testing Methods, page 1.35

Chemical Resistance

iglidur® G plain bearings have strong resistance to chemicals. They are also resistant to most lubricants.

iglidur® G plain bearings are not attacked by most weak organic or inorganic acids. The moisture absorption of iglidur® G plain bearings is approximately 1% in the standard atmosphere. The saturation limit submerged in water is 5%. This must be taken into account for these types of applications.

Graph 2.10

Chemical Table, page 70.1

Radiation Resistance

Plain bearings made from iglidur® G are resistant to radiation up to an intensity of 300 Gy.

UV Resistance

iglidur® G plain bearings are permanently resistant to UV radiation.

Vacuum

iglidur® G plain bearings outgas in a vacuum. Use in a vacuum environment is only possible with dehumidified bearings.

Electrical Properties

iglidur® G plain bearings are electrically insulating.

Application Example



Picture 2.7: iglidur® G plain bearings have been proven in control levers and pedals of farm tractors and construction vehicles



Picture 2.8: A high amount of dust accumulation occurs in exhaust valves on automatic milling machines

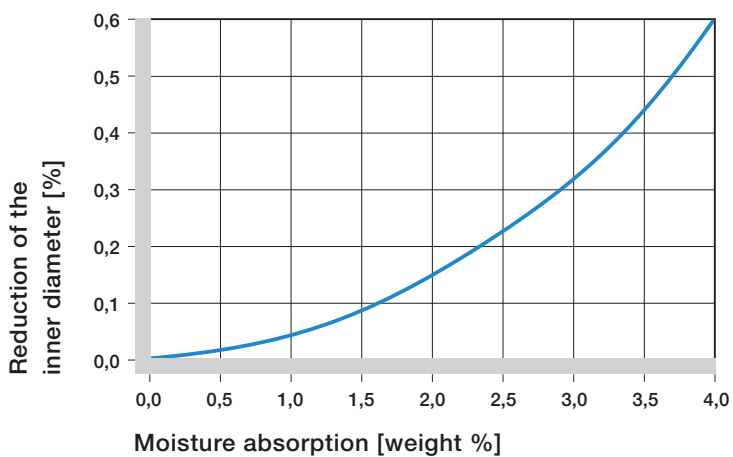
Diameter d1 [mm]	Shaft h9 [mm]	iglidur® G E10 [mm]
up to 3	0-0,025	+0,014 +0,054
> 3 to 6	0-0,030	+0,020 +0,068
> 6 to 10	0-0,036	+0,025 +0,083
> 10 to 18	0-0,043	+0,032 +0,102
> 18 to 30	0-0,052	+0,040 +0,124
> 30 to 50	0-0,062	+0,050 +0,150
> 50 to 80	0-0,074	+0,060 +0,180
> 80 to 120	0-0,087	+0,072 +0,212
> 120	0-0,100	+0,085 +0,245

Table 2.5: Important tolerances for iglidur® G plain bearings according to ISO 3547-1 after pressfit

Medium	Resistance
Alcohol	+ to 0
Hydrocarbons	+
Greases, oils	
without additives	+
Fuels	+
Diluted acids	0 to -
Strong acids	-
Diluted alkalines	+
Strong alkalines	0

Table 2.6: Chemical resistance of iglidur® G – detailed list, page 70.1

+ resistant 0 conditionally resistant - not resistant
All data given at room temperature [20°C]



Graph 2.10: Effect of moisture absorption on iglidur® G plain bearings

iglidur® G	
Specific	
volume resistance	> 10 ¹³ Ωcm
Surface resistance	> 10 ¹¹ Ω

Table 2.7: Electrical properties of iglidur® G

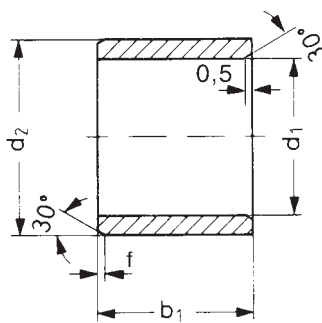


Picture 2.6: In tests under high radial forces, distances of 3,000 km are covered with negligible wear values

Navigation icons: +, -, i, mm, Inch



iglidur® G | Sleeve Bearing | mm



Data in mm

Structure – part no.
G S M-0103-02



Chamfer in relation to the d1

d1 [mm]:	Ø 1-6	Ø 6-12	Ø 12-30	Ø > 30
f [mm]:	0,3	0,5	0,8	1,2

Dimensions according to ISO 3547-1 and special dimensions

Part Number	d1	d1 Tolerance*	d2	b1	Part Number	d1	d1 Tolerance*	d2	b1
				h13					h13
GSM-0103-02	1,5	+0,014 +0,054	3,0	2,0	GSM-0608-08	6,0	+0,020 +0,068	8,0	8,0
GSM-0203-03	2,0	+0,014 +0,054	3,5	3,0	GSM-0608-09	6,0	+0,020 +0,068	8,0	9,5
GSM-02504-05	2,5	+0,014 +0,054	4,5	5,0	GSM-0608-10	6,0	+0,020 +0,068	8,0	10,0
GSM-0304-03	3,0	+0,014 +0,054	4,5	3,0	GSM-0608-11	6,0	+0,020 +0,068	8,0	11,8
GSM-0304-05	3,0	+0,014 +0,054	4,5	5,0	GSM-0608-13	6,0	+0,020 +0,068	8,0	13,8
GSM-0304-06	3,0	+0,014 +0,054	4,5	6,0	GSM-0708-10	7,0	+0,013 +0,049	8,0	10,0
GSM-0405-04	4,0	+0,020 +0,068	5,5	4,0	GSM-0708-19	7,0	+0,013 +0,049	8,0	19,0
GSM-0405-06	4,0	+0,020 +0,068	5,5	6,0	GSM-0709-08	7,0	+0,025 +0,083	9,0	8,0
GSM-0406-08	4,5	+0,020 +0,068	6,0	8,0	GSM-0709-09	7,0	+0,025 +0,083	9,0	9,0
GSM-0407-05	4,0	+0,020 +0,068	7,0	5,5	GSM-0709-10	7,0	+0,025 +0,083	9,0	10,0
GSM-0506-05	5,0	+0,010 +0,040	6,0	5,0	GSM-0709-12	7,0	+0,025 +0,083	9,0	12,0
GSM-0506-07	5,0	+0,010 +0,040	6,0	7,0	GSM-0809-05	8,0	+0,013 +0,049	9,0	5,0
GSM-0507-05	5,0	+0,020 +0,068	7,0	5,0	GSM-0809-06	8,0	+0,013 +0,049	9,0	6,0
GSM-0507-08	5,0	+0,020 +0,068	7,0	8,0	GSM-0809-08	8,0	+0,013 +0,049	9,0	8,0
GSM-0507-10	5,0	+0,020 +0,068	7,0	10,0	GSM-0809-12	8,0	+0,013 +0,049	9,0	12,0
GSM-0607-06	6,0	+0,010 +0,040	7,0	6,0	GSM-0810-05	8,0	+0,025 +0,083	10,0	5,0
GSM-0607-17.5	6,0	+0,010 +0,040	7,0	17,5	GSM-0810-06	8,0	+0,025 +0,083	10,0	6,0
GSM-0608-015	6,0	+0,020 +0,068	8,0	1,5	GSM-0810-07	8,0	+0,025 +0,083	10,0	6,8
GSM-0608-025	6,0	+0,020 +0,068	8,0	2,5	GSM-0810-08	8,0	+0,025 +0,083	10,0	8,0
GSM-0608-04	6,0	+0,020 +0,068	8,0	4,0	GSM-0810-10	8,0	+0,025 +0,083	10,0	10,0
GSM-0608-05	6,0	+0,020 +0,068	8,0	5,0	GSM-0810-12	8,0	+0,025 +0,083	10,0	12,0
GSM-0608-055	6,0	+0,020 +0,068	8,0	5,5	GSM-0810-13	8,0	+0,025 +0,083	10,0	13,8
GSM-0608-06	6,0	+0,020 +0,068	8,0	6,0	GSM-0810-15	8,0	+0,025 +0,083	10,0	15,0

*after pressfit. Testing methods ► page 1.35

Order example

Our price breaks are defined by the order quantity.

1- 9	25-49	100-199	500- 999	2500-4999
10-24	50-99	200-499	1000-2499	

For the current prices please visit the iglus®-Homepage on www.igus.de/en

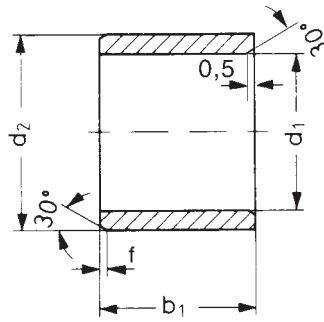
No minimum order quantities, no surcharges.



Phone +49 - 22 03 - 96 49-145
Fax +49 - 22 03 - 96 49-334

igus® GmbH
51147 Cologne

Internet www.igus.de
E-mail info@igus.de



Data in mm

Structure – part no.
G S M-0810-16



Dimensions according to ISO 3547-1 and special dimensions

Chamfer in relation to the d1

d1 [mm]:	Ø 1-6	Ø 6-12	Ø 12-30	Ø > 30
f [mm]:	0,3	0,5	0,8	1,2

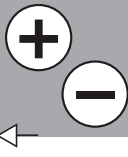
Part Number	d1	d1 Tolerance*	d2	b1 h13
GSM-0810-16	8,0	+0,025 +0,083	10,0	16,0
GSM-0810-20	8,0	+0,025 +0,083	10,0	20,0
GSM-0810-22	8,0	+0,025 +0,083	10,0	22,0
GSM-0911-06	9,0	+0,025 +0,083	11,0	6,0
GSM-1011-06	10,0	+0,013 +0,049	11,0	6,0
GSM-1011-10	10,0	+0,013 +0,049	11,0	10,0
GSM-1011-25	10,0	+0,013 +0,049	11,0	25,0
GSM-1011-30	10,0	+0,013 +0,049	11,0	30,0
GSM-1012-04	10,0	+0,025 +0,083	12,0	4,0
GSM-1012-045	10,0	+0,025 +0,083	12,0	4,5
GSM-1012-05	10,0	+0,025 +0,083	12,0	5,0
GSM-1012-06	10,0	+0,025 +0,083	12,0	6,0
GSM-1012-07	10,0	+0,025 +0,083	12,0	7,0
GSM-1012-08	10,0	+0,025 +0,083	12,0	8,0
GSM-1012-09	10,0	+0,025 +0,083	12,0	9,0
GSM-1012-10	10,0	+0,025 +0,083	12,0	10,0
GSM-1012-12	10,0	+0,025 +0,083	12,0	12,0
GSM-1012-14	10,0	+0,025 +0,083	12,0	14,0
GSM-1012-15	10,0	+0,025 +0,083	12,0	15,0
GSM-1012-17	10,0	+0,025 +0,083	12,0	17,0
GSM-1012-20	10,0	+0,025 +0,083	12,0	20,0
GSM-1213-12	12,0	+0,016 +0,059	13,0	12,0
GSM-1213-15	12,0	+0,016 +0,059	13,0	15,0
GSM-1214-04	12,0	+0,032 +0,102	14,0	4,0
GSM-1214-05	12,0	+0,032 +0,102	14,0	5,0
GSM-1214-06	12,0	+0,032 +0,102	14,0	6,0
GSM-1214-08	12,0	+0,032 +0,102	14,0	8,0
GSM-1214-10	12,0	+0,032 +0,102	14,0	10,0
GSM-1214-12	12,0	+0,032 +0,102	14,0	12,0
GSM-1214-14	12,0	+0,032 +0,102	14,0	14,0
GSM-1214-15	12,0	+0,032 +0,102	14,0	15,0
GSM-1214-20	12,0	+0,032 +0,102	14,0	20,0
GSM-1214-25	12,0	+0,032 +0,102	14,0	25,0
GSM-1215-06	12,0	+0,032 +0,102	15,0	6,0
GSM-1215-22	12,0	+0,032 +0,102	15,0	22,0
GSM-1216-10	12,0	+0,050 +0,160	16,0	10,0
GSM-1216-20	12,0	+0,050 +0,160	16,0	20,0
GSM-1315-070	13,0	+0,032 +0,102	15,0	7,0

Part Number	d1	d1 Tolerance*	d2	b1 h13
GSM-1315-075	13,0	+0,032 +0,102	15,0	7,5
GSM-1315-10	13,0	+0,032 +0,102	15,0	10,0
GSM-1315-15	13,0	+0,032 +0,102	15,0	15,0
GSM-1315-20	13,0	+0,032 +0,102	15,0	20,0
GSM-1315-25	13,0	+0,032 +0,102	15,0	25,0
GSM-1416-03	14,0	+0,032 +0,102	16,0	3,0
GSM-1416-06	14,0	+0,032 +0,102	16,0	6,0
GSM-1416-08	14,0	+0,032 +0,102	16,0	8,0
GSM-1416-10	14,0	+0,032 +0,102	16,0	10,0
GSM-1416-12	14,0	+0,032 +0,102	16,0	12,0
GSM-1416-15	14,0	+0,032 +0,102	16,0	15,0
GSM-1416-20	14,0	+0,032 +0,102	16,0	20,0
GSM-1416-25	14,0	+0,032 +0,102	16,0	25,0
GSM-1516-15	15,0	+0,016 +0,059	16,0	15,0
GSM-1517-04	15,0	+0,032 +0,102	17,0	4,0
GSM-1517-10	15,0	+0,032 +0,102	17,0	10,0
GSM-1517-12	15,0	+0,032 +0,102	17,0	12,0
GSM-1517-15	15,0	+0,032 +0,102	17,0	15,0
GSM-1517-20	15,0	+0,032 +0,102	17,0	20,0
GSM-1517-25	15,0	+0,032 +0,102	17,0	25,0
GSM-1618-055	16,0	+0,032 +0,102	18,0	5,5
GSM-1618-08	16,0	+0,032 +0,102	18,0	8,0
GSM-1618-10	16,0	+0,032 +0,102	18,0	10,0
GSM-1618-12	16,0	+0,032 +0,102	18,0	12,0
GSM-1618-13.5	16,0	+0,032 +0,102	18,0	13,5
GSM-1618-15	16,0	+0,032 +0,102	18,0	15,0
GSM-1618-20	16,0	+0,032 +0,102	18,0	20,0
GSM-1618-25	16,0	+0,032 +0,102	18,0	25,0
GSM-1618-30	16,0	+0,032 +0,102	18,0	30,0
GSM-1618-50	16,0	+0,032 +0,102	18,0	50,0
GSM-1820-10	18,0	+0,032 +0,102	20,0	10,0
GSM-1820-12	18,0	+0,032 +0,102	20,0	12,0
GSM-1820-15	18,0	+0,032 +0,102	20,0	15,0
GSM-1820-20	18,0	+0,032 +0,102	20,0	20,0
GSM-1820-25	18,0	+0,032 +0,102	20,0	25,0
GSM-1820-45	18,0	+0,032 +0,102	20,0	45,0
GSM-1922-06	19,0	+0,040 +0,124	22,0	6,0
GSM-1922-28	19,0	+0,040 +0,124	22,0	28,0

*after pressfit. Testing methods ► page 1.35

iglidur® G – Type S
mm

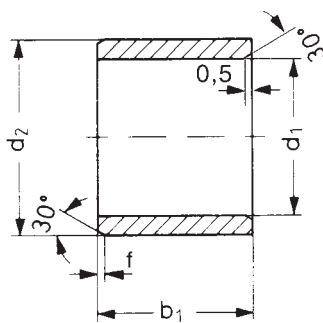
Phone +49 - 22 03 - 96 49-145
Fax +49 - 22 03 - 96 49-334





iglus®

iglidur® G | Sleeve Bearing | mm



Data in mm

Structure – part no.
G S M-1922-35



Chamfer in relation to the d1

d1 [mm]:	Ø 1-6	Ø 6-12	Ø 12-30	Ø > 30
f [mm]:	0,3	0,5	0,8	1,2

Dimensions according to ISO 3547-1 and special dimensions

Part Number	d1	d1 Tolerance*	d2	b1	Part Number	d1	d1 Tolerance*	d2	b1
				h13					h13
GSM-1922-35	19,0	+0,040 +0,124	22,0	35,0	GSM-2224-15	22,0	+0,040 +0,124	24,0	15,0
GSM-2021-20	20,0	+0,020 +0,072	21,0	20,0	GSM-2224-17	22,0	+0,040 +0,124	24,0	17,0
GSM-2022-03	20,0	+0,040 +0,124	22,0	3,0	GSM-2224-20	22,0	+0,040 +0,124	24,0	20,0
GSM-2022-08	20,0	+0,040 +0,124	22,0	8,0	GSM-2224-30	22,0	+0,040 +0,124	24,0	30,0
GSM-2022-105	20,0	+0,040 +0,124	22,0	10,5	GSM-2225-15	22,0	+0,040 +0,124	25,0	15,0
GSM-2022-15	20,0	+0,040 +0,124	22,0	15,0	GSM-2225-20	22,0	+0,040 +0,124	25,0	20,0
GSM-2022-20	20,0	+0,040 +0,124	22,0	20,0	GSM-2225-25	22,0	+0,040 +0,124	25,0	25,0
GSM-2022-22	20,0	+0,040 +0,124	22,0	22,0	GSM-2225-30	22,0	+0,040 +0,124	25,0	30,0
GSM-2022-30	20,0	+0,040 +0,124	22,0	30,0	GSM-2427-06	24,0	+0,040 +0,124	27,0	6,0
GSM-2023-10	20,0	+0,040 +0,124	23,0	10,0	GSM-2427-15	24,0	+0,040 +0,124	27,0	15,0
GSM-2023-15	20,0	+0,040 +0,124	23,0	15,0	GSM-2427-20	24,0	+0,040 +0,124	27,0	20,0
GSM-2023-20	20,0	+0,040 +0,124	23,0	20,0	GSM-2427-25	24,0	+0,040 +0,124	27,0	25,0
GSM-2023-23	20,0	+0,040 +0,124	23,0	23,0	GSM-2427-30	24,0	+0,040 +0,124	27,0	30,0
GSM-2023-24	20,0	+0,040 +0,124	23,0	24,0	GSM-2526-25	25,0	+0,040 +0,124	26,0	25,0
GSM-2023-25	20,0	+0,040 +0,124	23,0	25,0	GSM-2528-15	25,0	+0,040 +0,124	28,0	15,0
GSM-2023-30	20,0	+0,040 +0,124	23,0	30,0	GSM-2528-20	25,0	+0,040 +0,124	28,0	20,0
GSM-2224-10	22,0	+0,040 +0,124	24,0	10,0	GSM-2528-24	25,0	+0,040 +0,124	28,0	24,0

*after pressfit. Testing methods ► page 1.35



iglidur® G – High wear resistance and low cost are required in this agricultural application.

Lifetime calculation, CAD files and much more support ► www.igus.de/en/g

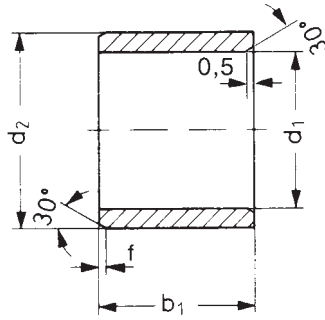
mm

iglidur® G – Type S

Phone +49 - 22 03 - 96 49-145
Fax +49 - 22 03 - 96 49-334

igus® GmbH
51147 Cologne

Internet www.igus.de
E-mail info@igus.de



Data in mm

Structure – part no.
G S M-2528-25



- b1
- d2
- d1
- Metric
- Type
- Material

Dimensions according to ISO 3547-1 and special dimensions

Chamfer in relation to the d1

d1 [mm]:	Ø 1-6	Ø 6-12	Ø 12-30	Ø > 30
f [mm]:	0,3	0,5	0,8	1,2

Part Number	d1	d1 Tolerance*	d2	b1 h13
GSM-2528-25	25,0	+0,040 +0,124	28,0	25,0
GSM-2528-30	25,0	+0,040 +0,124	28,0	30,0
GSM-2528-35	25,0	+0,040 +0,124	28,0	35,0
GSM-2528-50	25,0	+0,040 +0,124	28,0	50,0
GSM-2630-16	26,0	+0,040 +0,124	30,0	16,0
GSM-2730-05	27,0	+0,040 +0,124	30,0	5,0
GSM-2832-105	28,0	+0,040 +0,124	32,0	10,5
GSM-2832-12	28,0	+0,040 +0,124	32,0	12,0
GSM-2832-15	28,0	+0,040 +0,124	32,0	15,0
GSM-2832-20	28,0	+0,040 +0,124	32,0	20,0
GSM-2832-23	28,0	+0,040 +0,124	32,0	23,0
GSM-2832-25	28,0	+0,040 +0,124	32,0	25,0
GSM-2832-30	28,0	+0,040 +0,124	32,0	30,0
GSM-3031-12	30,0	+0,020 +0,072	31,0	12,0
GSM-3031-30	30,0	+0,020 +0,072	31,0	30,0
GSM-3034-15	30,0	+0,040 +0,124	34,0	15,0
GSM-3034-20	30,0	+0,040 +0,124	34,0	20,0
GSM-3034-24	30,0	+0,040 +0,124	34,0	24,0
GSM-3034-25	30,0	+0,040 +0,124	34,0	25,0
GSM-3034-30	30,0	+0,040 +0,124	34,0	30,0
GSM-3034-35	30,0	+0,040 +0,124	34,0	35,0
GSM-3034-40	30,0	+0,040 +0,124	34,0	40,0
GSM-3034-525	30,0	+0,040 +0,124	34,0	52,5
GSM-3236-20	32,0	+0,050 +0,150	36,0	20,0
GSM-3236-30	32,0	+0,050 +0,150	36,0	30,0
GSM-3236-40	32,0	+0,050 +0,150	36,0	40,0
GSM-3539-14	35,0	+0,050 +0,150	39,0	14,0
GSM-3539-20	35,0	+0,050 +0,150	39,0	20,0
GSM-3539-25	35,0	+0,050 +0,150	39,0	25,0
GSM-3539-30	35,0	+0,050 +0,150	39,0	30,0
GSM-3539-40	35,0	+0,050 +0,150	39,0	40,0
GSM-3539-50	35,0	+0,050 +0,150	39,0	50,0
GSM-3640-20	36,0	+0,050 +0,150	40,0	20,0
GSM-3741-20	37,0	+0,050 +0,150	41,0	20,0
GSM-4044-10	40,0	+0,050 +0,150	44,0	10,0
GSM-4044-16	40,0	+0,050 +0,150	44,0	16,5
GSM-4044-20	40,0	+0,050 +0,150	44,0	20,0
GSM-4044-30	40,0	+0,050 +0,150	44,0	30,0
GSM-4044-40	40,0	+0,050 +0,150	44,0	40,0
GSM-4044-50	40,0	+0,050 +0,150	44,0	50,0
GSM-4246-40	42,0	+0,050 +0,150	46,0	40,0

Part Number	d1	d1 Tolerance*	d2	b1 h13
GSM-4550-22	45,0	+0,050 +0,150	50,0	22,0
GSM-4550-235	45,0	+0,050 +0,150	50,0	23,5
GSM-4550-30	45,0	+0,050 +0,150	50,0	30,0
GSM-4550-38	45,0	+0,050 +0,150	50,0	38,0
GSM-4550-40	45,0	+0,050 +0,150	50,0	40,0
GSM-4550-50	45,0	+0,050 +0,150	50,0	50,0
GSM-5055-20	50,0	+0,050 +0,150	55,0	20,0
GSM-5055-25	50,0	+0,050 +0,150	55,0	25,0
GSM-5055-30	50,0	+0,050 +0,150	55,0	30,0
GSM-5055-40	50,0	+0,050 +0,150	55,0	40,0
GSM-5055-50	50,0	+0,050 +0,150	55,0	50,0
GSM-5257-20	52,0	+0,060 +0,180	57,0	20,0
GSM-5560-20	55,0	+0,060 +0,180	60,0	20,0
GSM-5560-40	55,0	+0,060 +0,180	60,0	40,0
GSM-5560-50	55,0	+0,060 +0,180	60,0	50,0
GSM-5560-60	55,0	+0,060 +0,180	60,0	60,0
GSM-6065-30	60,0	+0,060 +0,180	65,0	30,0
GSM-6065-40	60,0	+0,060 +0,180	65,0	40,0
GSM-6065-50	60,0	+0,060 +0,180	65,0	50,0
GSM-6065-60	60,0	+0,060 +0,180	65,0	60,0
GSM-6267-35	62,0	+0,060 +0,180	67,0	35,0
GSM-6570-30	65,0	+0,060 +0,180	70,0	30,0
GSM-6570-50	65,0	+0,060 +0,180	70,0	50,0
GSM-7075-60	70,0	+0,060 +0,180	75,0	60,0
GSM-7277-76	72,0	+0,060 +0,180	77,0	76,0
GSM-7580-40	75,0	+0,060 +0,180	80,0	40,0
GSM-7580-60	75,0	+0,060 +0,180	80,0	60,0
GSM-8085-60	80,0	+0,060 +0,180	85,0	60,0
GSM-8085-100	80,0	+0,060 +0,180	85,0	100,0
GSM-8590-100	85,0	+0,072 +0,212	90,0	100,0
GSM-9095-100	90,0	+0,072 +0,212	95,0	100,0
GSM-95100-100	95,0	+0,072 +0,212	100,0	100,0
GSM-100105-30	100,0	+0,072 +0,212	105,0	30,0
GSM-100105-100	100,0	+0,072 +0,212	105,0	100,0
GSM-110115-100	110,0	+0,072 +0,212	115,0	100,0
GSM-120125-100	120,0	+0,072 +0,212	125,0	100,0
GSM-125130-100	125,0	+0,085 +0,245	130,0	100,0
GSM-130135-100	130,0	+0,085 +0,245	135,0	100,0
GSM-135140-80	135,0	+0,085 +0,245	140,0	80,0
GSM-140145-100	140,0	+0,085 +0,245	145,0	100,0
GSM-150155-100	150,0	+0,085 +0,245	155,0	100,0

*after pressfit. Testing methods ► page 1.35

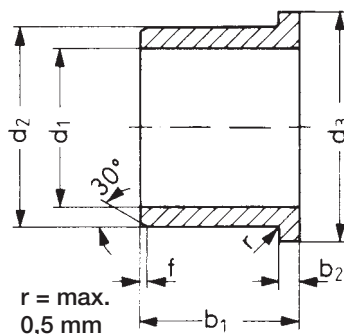
iglidur® G – Type S

mm

Phone +49 - 22 03 - 96 49-145
Fax +49 - 22 03 - 96 49-334



iglidur® G | Flange Bearing | mm



Data in mm

Structure – part no.
G F M-0304-02



Chamfer in relation to the d1

d1 [mm]:	Ø 1-6	Ø 6-12	Ø 12-30	Ø > 30
f [mm]:	0,3	0,5	0,8	1,2

Dimensions according to ISO 3547-1
and special dimensions

Part Number	d1	d1 Tolerance*	d2	d3	b1	b2
GFM-0304-02	3,0	+0,014 +0,054	4,5	7,5	2,0	0,5
GFM-0304-0275	3,0	+0,014 +0,054	4,5	7,5	2,7	0,75
GFM-0304-03	3,0	+0,014 +0,054	4,5	7,5	3,0	0,75
GFM-0304-05	3,0	+0,014 +0,054	4,5	7,5	5,0	0,75
GFM-030407-05	3,0	+0,014 +0,054	4,5	7,0	5,0	0,75
GFM-0405-03	4,0	+0,020 +0,068	5,5	9,5	3,0	0,75
GFM-0405-04	4,0	+0,020 +0,068	5,5	9,5	4,0	0,75
GFM-0405-06	4,0	+0,020 +0,068	5,5	9,5	6,0	0,75
GFM-04050-04	4,0	+0,010 +0,040	5,0	9,5	4,0	0,5
GFM-04050-06	4,0	+0,010 +0,040	5,0	9,5	6,0	0,5
GFM-040508-10	4,0	+0,020 +0,068	5,5	8,0	10,0	1,0
GFM-0506-035	5,0	+0,010 +0,040	6,0	10,0	3,5	0,5
GFM-0506-04	5,0	+0,010 +0,040	6,0	10,0	4,0	0,5
GFM-0506-05	5,0	+0,010 +0,040	6,0	10,0	5,0	0,5
GFM-0506-06	5,0	+0,010 +0,040	6,0	10,0	6,0	0,5
GFM-0506-15	5,0	+0,010 +0,040	6,0	10,0	15,0	0,5
GFM-0507-03	5,0	+0,020 +0,068	7,0	11,0	3,5	1,0
GFM-0507-04	5,0	+0,020 +0,068	7,0	11,0	4,0	1,0
GFM-0507-05	5,0	+0,020 +0,068	7,0	11,0	5,0	1,0
GFM-0507-30	5,0	+0,020 +0,068	7,0	11,0	30,0	1,0
GFM-050709-05	5,0	+0,020 +0,068	7,0	9,5	5,0	1,0
GFM-050715-04	5,0	+0,020 +0,068	7,0	15,0	4,0	1,0
GFM-0607-024	6,0	+0,010 +0,040	7,0	11,0	2,4	0,5
GFM-0607-045	6,0	+0,010 +0,040	7,0	11,0	4,5	0,5
GFM-0607-06	6,0	+0,010 +0,040	7,0	11,0	6,0	0,5
GFM-0607-10	6,0	+0,010 +0,040	7,0	11,0	10,0	0,5
GFM-0608-025	6,0	+0,020 +0,068	8,0	12,0	2,5	1,0
GFM-0608-04	6,0	+0,020 +0,068	8,0	12,0	4,0	1,0
GFM-0608-048	6,0	+0,020 +0,068	8,0	12,0	4,8	1,0
GFM-0608-05	6,0	+0,020 +0,068	8,0	12,0	5,0	1,0
GFM-0608-06	6,0	+0,020 +0,068	8,0	12,0	6,0	1,0
GFM-0608-07	6,0	+0,020 +0,068	8,0	12,0	7,0	1,0
GFM-0608-08	6,0	+0,020 +0,068	8,0	12,0	8,0	1,0
GFM-0608-10	6,0	+0,020 +0,068	8,0	12,0	10,0	1,0
GFM-0608-25	6,0	+0,020 +0,068	8,0	12,0	25,0	1,0
GFM-0608-35	6,0	+0,020 +0,068	8,0	12,0	35,0	1,0
GFM-060814-12	6,0	+0,020 +0,068	8,0	14,0	12,0	1,0
GFM-060814-028	6,0	+0,020 +0,068	8,0	14,0	2,8	1,0
GFM-0708-03	7,0	+0,013 +0,049	8,0	12,0	3,0	0,5

*after pressfit. Testing methods ► page 1.35

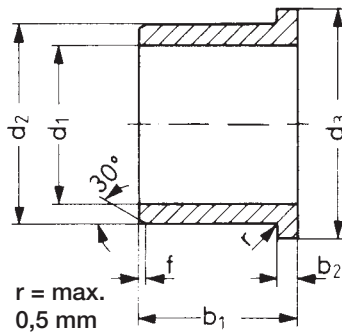
mm

iglidur® G – Type F

Phone +49 - 22 03 - 96 49-145
Fax +49 - 22 03 - 96 49-334

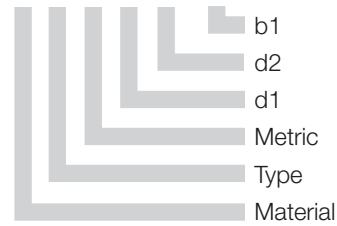
iglus® GmbH
51147 Cologne

Internet www.igus.de
E-mail info@igus.de



Data in mm

Structure – part no.
G F M-0708-08



Dimensions according to ISO 3547-1
and special dimensions

Chamfer in relation to the d1

d1 [mm]:	Ø 1-6	Ø 6-12	Ø 12-30	Ø > 30
f [mm]:	0,3	0,5	0,8	1,2

Part Number	d1	d1 Tolerance*	d2	d3		b2
				d13	h13	
GFM-0708-08	7,0	+0,013 +0,049	8,0	12,0	8,0	0,5
GFM-0709-06	7,0	+0,025 +0,083	9,0	15,0	6,0	1,0
GFM-0709-10	7,0	+0,025 +0,083	9,0	15,0	10,0	1,0
GFM-0709-12	7,0	+0,025 +0,083	9,0	15,0	12,0	1,0
GFM-0709-035	7,0	+0,025 +0,083	9,0	15,0	3,5	1,0
GFM-070919-10	7,0	+0,025 +0,083	9,0	19,0	10,0	1,0
GFM-0809-03	8,0	+0,013 +0,049	9,0	15,0	3,0	0,5
GFM-0809-055	8,0	+0,013 +0,049	9,0	13,0	5,5	0,5
GFM-0809-08	8,0	+0,013 +0,049	9,0	13,0	8,0	0,5
GFM-0809-12	8,0	+0,013 +0,049	9,0	13,0	12,0	0,5
GFM-0810-03	8,0	+0,025 +0,083	10,0	15,0	3,0	1,0
GFM-0810-04	8,0	+0,025 +0,083	10,0	15,0	4,0	1,0
GFM-0810-05	8,0	+0,025 +0,083	10,0	15,0	5,5	1,0
GFM-0810-065	8,0	+0,025 +0,083	10,0	15,0	6,5	1,0
GFM-0810-07	8,0	+0,025 +0,083	10,0	15,0	7,5	1,0
GFM-0810-09	8,0	+0,025 +0,083	10,0	15,0	9,5	1,0
GFM-0810-10	8,0	+0,025 +0,083	10,0	15,0	10,0	1,0
GFM-0810-15	8,0	+0,025 +0,083	10,0	15,0	15,0	1,0
GFM-0810-25	8,0	+0,025 +0,083	10,0	15,0	25,0	1,0
GFM-0810-30	8,0	+0,025 +0,083	10,0	15,0	30,0	1,0
GFM-081012-125	8,0	+0,025 +0,083	10,0	12,0	12,5	1,0
GFM-081013-08	8,0	+0,025 +0,083	10,0	13,0	8,0	1,0
GFM-081014-06	8,0	+0,025 +0,083	10,0	14,0	6,0	1,0
GFM-081014-08	8,0	+0,025 +0,083	10,0	14,0	8,0	1,0
GFM-081014-10	8,0	+0,025 +0,083	10,0	14,0	10,0	1,0
GFM-081016-11	8,0	+0,025 +0,083	10,0	16,0	11,5	1,5
GFM-081016-15	8,0	+0,025 +0,083	10,0	16,0	15,5	1,5
GFM-081017-15	8,0	+0,025 +0,083	10,0	17,0	15,0	1,0
GFM-0910-17	9,0	+0,013 +0,049	10,0	15,0	17,5	0,5
GFM-0910-065	9,0	+0,013 +0,049	10,0	15,0	6,5	0,5
GFM-1011-026	10,0	+0,013 +0,049	11,0	15,0	2,6	0,5
GFM-1011-044	10,0	+0,013 +0,049	11,0	15,0	4,4	0,5
GFM-1011-10	10,0	+0,013 +0,049	11,0	15,0	10,0	0,5
GFM-1012-035	10,0	+0,025 +0,083	12,0	18,0	3,5	1,0
GFM-1012-04	10,0	+0,025 +0,083	12,0	18,0	4,0	1,0
GFM-1012-05	10,0	+0,025 +0,083	12,0	18,0	5,0	1,0
GFM-1012-06	10,0	+0,025 +0,083	12,0	18,0	6,0	1,0
GFM-1012-07	10,0	+0,025 +0,083	12,0	18,0	7,0	1,0

*after pressfit. Testing methods ► page 1.35

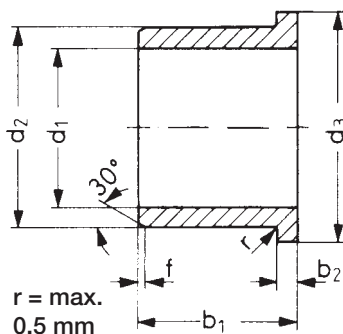
iglidur® G – Type F

mm

Phone +49 - 22 03 - 96 49-145
Fax +49 - 22 03 - 96 49-334



iglidur® G | Flange Bearing | mm



Data in mm

Structure – part no.
G F M-1012-09



Chamfer in relation to the d1

d1 [mm]:	Ø 1-6	Ø 6-12	Ø 12-30	Ø > 30
f [mm]:	0,3	0,5	0,8	1,2

Dimensions according to ISO 3547-1
and special dimensions

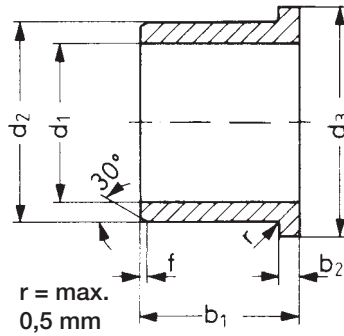
Part Number	d1	d1 Tolerance*	d2	d3	b1	b2
GFM-1012-09	10,0	+0,025 +0,083	12,0	18,0	9,0	1,0
GFM-1012-10	10,0	+0,025 +0,083	12,0	18,0	10,0	1,0
GFM-1012-12	10,0	+0,025 +0,083	12,0	18,0	12,0	1,0
GFM-1012-15	10,0	+0,025 +0,083	12,0	18,0	15,0	1,0
GFM-1012-17	10,0	+0,025 +0,083	12,0	18,0	17,0	1,0
GFM-101214-07	10,0	+0,025 +0,083	12,0	14,0	7,0	1,0
GFM-101215-12	10,0	+0,025 +0,083	12,0	15,0	12,0	1,0
GFM-101216-06	10,0	+0,025 +0,083	12,0	16,0	6,0	1,0
GFM-101216-09	10,0	+0,025 +0,083	12,0	16,0	9,0	1,0
GFM-101216-15	10,0	+0,025 +0,083	12,0	16,0	15,0	1,0
GFM-1213-03	12,0	+0,016 +0,059	13,0	17,0	3,0	0,5
GFM-1213-12	12,0	+0,016 +0,059	13,0	17,0	12,0	0,5
GFM-1214-03	12,0	+0,032 +0,102	14,0	20,0	3,0	1,0
GFM-1214-06	12,0	+0,032 +0,102	14,0	20,0	6,0	1,0
GFM-1214-07	12,0	+0,032 +0,102	14,0	20,0	7,0	1,0
GFM-1214-09	12,0	+0,032 +0,102	14,0	20,0	9,0	1,0
GFM-1214-10	12,0	+0,032 +0,102	14,0	20,0	10,0	1,0
GFM-1214-11	12,0	+0,032 +0,102	14,0	20,0	11,0	1,0
GFM-1214-12	12,0	+0,032 +0,102	14,0	20,0	12,0	1,0
GFM-1214-15	12,0	+0,032 +0,102	14,0	20,0	15,0	1,0
GFM-1214-17	12,0	+0,032 +0,102	14,0	20,0	17,0	1,0
GFM-1214-20	12,0	+0,032 +0,102	14,0	20,0	20,0	1,0
GFM-1214-24	12,0	+0,032 +0,102	14,0	20,0	24,0	1,0
GFM-121418-04	12,0	+0,032 +0,102	14,0	18,0	4,0	1,0
GFM-121418-08	12,0	+0,032 +0,102	14,0	18,0	8,0	1,0
GFM-121418-10	12,0	+0,032 +0,102	14,0	18,0	10,0	1,0
GFM-121418-12	12,0	+0,032 +0,102	14,0	18,0	12,0	1,0
GFM-121418-15	12,0	+0,032 +0,102	14,0	18,0	15,0	1,0
GFM-121418-20	12,0	+0,032 +0,102	14,0	18,0	20,0	1,0
GFM-1315-06	13,0	+0,032 +0,102	15,0	22,0	6,0	1,0
GFM-1416-03	14,0	+0,032 +0,102	16,0	22,0	3,0	1,0
GFM-1416-04	14,0	+0,032 +0,102	16,0	22,0	4,0	1,0
GFM-1416-06	14,0	+0,032 +0,102	16,0	22,0	6,0	1,0
GFM-1416-08	14,0	+0,032 +0,102	16,0	22,0	8,0	1,0
GFM-1416-10	14,0	+0,032 +0,102	16,0	22,0	10,0	1,0
GFM-1416-12	14,0	+0,032 +0,102	16,0	22,0	12,0	1,0
GFM-1416-17	14,0	+0,032 +0,102	16,0	22,0	17,0	1,0
GFM-1416-21	14,0	+0,032 +0,102	16,0	22,0	21,0	1,0

*after pressfit. Testing methods ► page 1.35

Phone +49 - 22 03 - 96 49-145
Fax +49 - 22 03 - 96 49-334

iglus® GmbH
51147 Cologne

Internet www.igus.de
E-mail info@igus.de



Data in mm

Structure – part no.
G F M-1516-02



- b1
- d2
- d1
- Metric
- Type
- Material

Dimensions according to ISO 3547-1
and special dimensions

Chamfer in relation to the d1

d1 [mm]:	Ø 1-6	Ø 6-12	Ø 12-30	Ø > 30
f [mm]:	0,3	0,5	0,8	1,2

Part Number	d1	d1 Tolerance*	d2	d3		b2
				d13	h13	
GFM-1516-02	15,0	+0,016 +0,059	16,0	20,0	2,0	0,5
GFM-1516-025	15,0	+0,016 +0,059	16,0	20,0	2,5	0,5
GFM-1516-03	15,0	+0,016 +0,059	16,0	20,0	3,0	0,5
GFM-1516-15	15,0	+0,016 +0,059	16,0	20,0	15,0	0,5
GFM-1517-04	15,0	+0,032 +0,102	17,0	23,0	4,0	1,0
GFM-1517-045	15,0	+0,032 +0,102	17,0	23,0	4,5	1,0
GFM-1517-05	15,0	+0,032 +0,102	17,0	23,0	5,0	1,0
GFM-1517-09	15,0	+0,032 +0,102	17,0	23,0	9,0	1,0
GFM-1517-12	15,0	+0,032 +0,102	17,0	23,0	12,0	1,0
GFM-1517-17	15,0	+0,032 +0,102	17,0	23,0	17,0	1,0
GFM-1517-20	15,0	+0,032 +0,102	17,0	23,0	20,0	1,0
GFM-151824-32	15,0	+0,032 +0,102	18,0	24,0	32,0	1,5
GFM-1618-04	16,0	+0,032 +0,102	18,0	24,0	4,0	1,0
GFM-1618-06	16,0	+0,032 +0,102	18,0	24,0	6,0	1,0
GFM-1618-09	16,0	+0,032 +0,102	18,0	24,0	9,0	1,0
GFM-1618-12	16,0	+0,032 +0,102	18,0	24,0	12,0	1,0
GFM-1618-17	16,0	+0,032 +0,102	18,0	24,0	17,0	1,0
GFM-1618-21	16,0	+0,032 +0,102	18,0	24,0	21,0	1,0
GFM-1719-09	17,0	+0,032 +0,102	19,0	25,0	9,0	1,0
GFM-1719-25	17,0	+0,032 +0,102	19,0	25,0	25,0	1,0
GFM-1820-04	18,0	+0,032 +0,102	20,0	26,0	4,0	1,0
GFM-1820-06	18,0	+0,032 +0,102	20,0	26,0	6,0	1,0
GFM-1820-09	18,0	+0,032 +0,102	20,0	26,0	9,0	1,0
GFM-1820-11	18,0	+0,032 +0,102	20,0	26,0	11,0	1,0
GFM-1820-12	18,0	+0,032 +0,102	20,0	26,0	12,0	1,0
GFM-1820-17	18,0	+0,032 +0,102	20,0	26,0	17,0	1,0
GFM-1820-22	18,0	+0,032 +0,102	20,0	26,0	22,0	1,0
GFM-1820-30	18,0	+0,032 +0,102	20,0	26,0	30,0	1,0
GFM-1820-32	18,0	+0,032 +0,102	20,0	26,0	32,0	1,0
GFM-182022-06	18,0	+0,032 +0,102	20,0	22,0	6,0	1,0
GFM-1822-28	18,0	+0,032 +0,102	22,0	26,0	28,0	2,0
GFM-2021-20	20,0	+0,020 +0,072	21,0	25,0	20,0	0,5
GFM-2023-07	20,0	+0,040 +0,124	23,0	30,0	7,0	1,5
GFM-2023-11	20,0	+0,040 +0,124	23,0	30,0	11,5	1,5
GFM-2023-16	20,0	+0,040 +0,124	23,0	30,0	16,5	1,5
GFM-2023-21	20,0	+0,040 +0,124	23,0	30,0	21,5	1,5
GFM-202326-21	20,0	+0,040 +0,124	23,0	26,0	21,5	1,5
GFM-202328-15	20,0	+0,040 +0,124	23,0	28,0	15,0	1,5

*after pressfit. Testing methods ► page 1.35

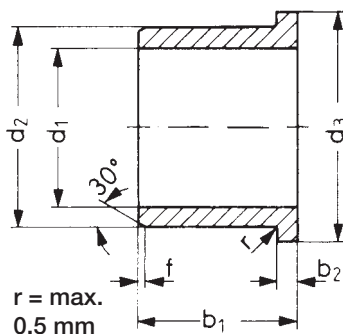
iglidur® G – Type F
mm

Phone +49 - 22 03 - 96 49-145
Fax +49 - 22 03 - 96 49-334

Navigation icons: Home, Search, Information, Unit Selection (mm selected), and another Information icon.



iglidur® G | Flange Bearing | mm



Data in mm

Structure – part no.
G F M-2427-07



Chamfer in relation to the d1

d1 [mm]:	Ø 1-6	Ø 6-12	Ø 12-30	Ø > 30
f [mm]:	0,3	0,5	0,8	1,2

Dimensions according to ISO 3547-1
and special dimensions

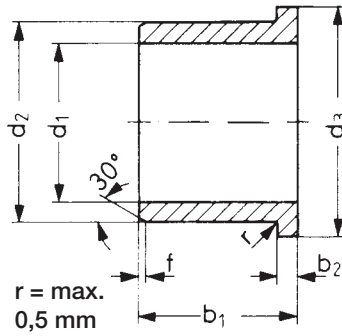
Part Number	d1	d1 Tolerance*	d2	d3		b2
				d13	h13	
GFM-222535-315	22,0	+0,040 +0,124	25,0	35,0	31,5	1,5
GFM-2427-07	24,0	+0,040 +0,124	27,0	32,0	7,0	1,5
GFM-2427-10	24,0	+0,040 +0,124	27,0	32,0	10,0	1,5
GFM-2526-25	25,0	+0,020 +0,072	26,0	30,0	25,0	0,5
GFM-2527-48	25,0	+0,040 +0,124	27,0	32,0	48,0	1,0
GFM-2528-11	25,0	+0,040 +0,124	28,0	35,0	11,5	1,5
GFM-2528-16	25,0	+0,040 +0,124	28,0	35,0	16,5	1,5
GFM-2528-21	25,0	+0,040 +0,124	28,0	35,0	21,5	1,5
GFM-2830-10	28,0	+0,040 +0,124	30,0	36,0	10,0	1,0
GFM-2830-36	28,0	+0,040 +0,124	30,0	35,0	36,0	1,0
GFM-283239-20	28,0	+0,040 +0,124	32,0	39,0	20,0	2,0
GFM-3031-20	30,0	+0,040 +0,124	31,0	36,0	20,0	0,5
GFM-3031-30	30,0	+0,040 +0,124	31,0	35,0	30,0	0,5
GFM-3032-04	30,0	+0,040 +0,124	32,0	37,0	4,0	1,0
GFM-3032-12	30,0	+0,040 +0,124	32,0	37,0	12,0	1,0
GFM-3032-17	30,0	+0,040 +0,124	32,0	37,0	17,5	1,0
GFM-3032-22	30,0	+0,040 +0,124	32,0	37,0	22,0	1,0
GFM-3034-09	30,0	+0,040 +0,124	34,0	42,0	9,0	2,0
GFM-3034-16	30,0	+0,040 +0,124	34,0	42,0	16,0	2,0
GFM-3034-20	30,0	+0,040 +0,124	34,0	42,0	20,0	2,0
GFM-3034-26	30,0	+0,040 +0,124	34,0	42,0	26,0	2,0
GFM-3034-37	30,0	+0,040 +0,124	34,0	42,0	37,0	2,0
GFM-3236-16	32,0	+0,050 +0,150	36,0	40,0	16,0	2,0
GFM-3236-26	32,0	+0,050 +0,150	36,0	40,0	26,0	2,0
GFM-343850-35	34,0	+0,050 +0,150	38,0	50,0	35,0	2,0
GFM-3539-058	35,0	+0,050 +0,150	39,0	47,0	5,8	2,0
GFM-3539-07	35,0	+0,050 +0,150	39,0	47,0	7,0	2,0
GFM-3539-16	35,0	+0,050 +0,150	39,0	47,0	16,0	2,0
GFM-3539-26	35,0	+0,050 +0,150	39,0	47,0	26,0	2,0
GFM-3539-36	35,0	+0,050 +0,150	39,0	47,0	36,0	2,0
GFM-3842-22	38,0	+0,050 +0,150	42,0	54,0	22,0	2,0
GFM-4044-07	40,0	+0,050 +0,150	44,0	52,0	7,0	2,0
GFM-4044-14	40,0	+0,050 +0,150	44,0	52,0	14,0	2,0

*after pressfit. Testing methods ► page 1.35

Phone +49 - 22 03 - 96 49-145
Fax +49 - 22 03 - 96 49-334

iglus® GmbH
51147 Cologne

Internet www.igus.de
E-mail info@igus.de



Data in mm

Structure – part no.
G F M-4044-20



- b1
- d2
- d1
- Metric
- Type
- Material

Dimensions according to ISO 3547-1 and special dimensions

Chamfer in relation to the d1

d1 [mm]:	Ø 1-6	Ø 6-12	Ø 12-30	Ø > 30
f [mm]:	0,3	0,5	0,8	1,2

Part Number	d1	d1 Tolerance*	d2	d3		b2
				d13	h13	
GFM-4044-20	40,0	+0,050 +0,150	44,0	52,0	20,0	2,0
GFM-4044-30	40,0	+0,050 +0,150	44,0	52,0	30,0	2,0
GFM-4044-40	40,0	+0,050 +0,150	44,0	52,0	40,0	2,0
GFM-4044-50	40,0	+0,050 +0,150	44,0	52,0	50,0	2,0
GFM-4246-19	42,0	+0,050 +0,150	46,0	53,0	19,0	2,0
GFM-4550-25	45,0	+0,050 +0,150	50,0	58,0	25,0	2,0
GFM-4550-30	45,0	+0,050 +0,150	50,0	58,0	30,0	2,0
GFM-4550-50	45,0	+0,050 +0,150	50,0	58,0	50,0	2,0
GFM-5055-07	50,0	+0,050 +0,150	55,0	63,0	7,0	2,0
GFM-5055-10	50,0	+0,050 +0,150	55,0	63,0	10,0	2,0
GFM-5055-25	50,0	+0,050 +0,150	55,0	63,0	25,0	2,0
GFM-5055-40	50,0	+0,050 +0,150	55,0	63,0	40,0	2,0
GFM-5055-50	50,0	+0,050 +0,150	55,0	63,0	50,0	2,0
GFM-6065-22	60,0	+0,060 +0,180	65,0	73,0	22,0	2,0
GFM-6065-30	60,0	+0,060 +0,180	65,0	73,0	30,0	2,0
GFM-6065-50	60,0	+0,060 +0,180	65,0	73,0	50,0	2,0
GFM-606580-62	60,0	+0,060 +0,180	65,0	80,0	62,0	2,0
GFM-6570-50	65,0	+0,060 +0,180	70,0	78,0	50,0	2,0
GFM-7075-50	70,0	+0,060 +0,180	75,0	83,0	50,0	2,0
GFM-7580-50	75,0	+0,060 +0,180	80,0	88,0	50,0	2,0
GFM-8085-100	80,0	+0,060 +0,180	85,0	93,0	100,0	2,5
GFM-8590-100	85,0	+0,072 +0,212	90,0	98,0	100,0	2,5
GFM-9095-100	90,0	+0,072 +0,212	95,0	103,0	100,0	2,5
GFM-95100-100	95,0	+0,072 +0,212	100,0	108,0	100,0	2,5
GFM-100105-100	100,0	+0,072 +0,212	105,0	113,0	100,0	2,5
GFM-100105-425	100,0	+0,072 +0,212	105,0	113,0	42,5	2,5
GFM-110115-100	110,0	+0,072 +0,212	115,0	123,0	100,0	2,5
GFM-120125-100	120,0	+0,072 +0,212	125,0	133,0	100,0	2,5
GFM-125130-100	125,0	+0,085 +0,245	130,0	138,0	100,0	2,5
GFM-130135-100	130,0	+0,085 +0,245	135,0	143,0	100,0	2,5
GFM-140145-100	140,0	+0,085 +0,245	145,0	153,0	100,0	2,5
GFM-150155-40	150,0	+0,085 +0,245	155,0	163,0	40,0	2,5
GFM-150155-100	150,0	+0,085 +0,245	155,0	163,0	100,0	2,5

*after pressfit. Testing methods ► page 1.35

iglidur® G – Type F
mm

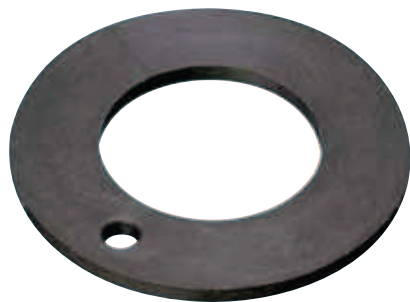
Phone +49 - 22 03 - 96 49-145
Fax +49 - 22 03 - 96 49-334

Navigation icons: Home (+), Information (i), Back (←), Forward (→), Unit Selection (mm, Inch), and Search (magnifying glass).

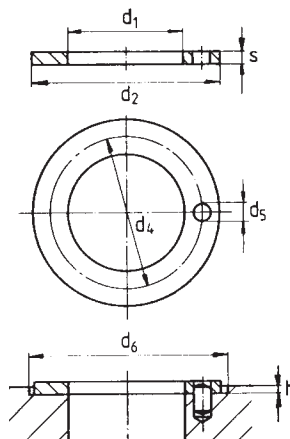


iglus®

iglidur® G | Thrust Washer | mm



Dimensions according to ISO 3547-1 and special dimensions



Data in mm

Structure – part no.
G T M-0509-006



mm

iglidur® G – Type T

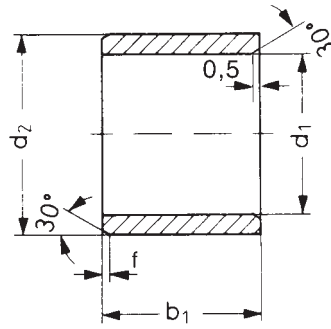
Phone +49 - 22 03 - 96 49-145
Fax +49 - 22 03 - 96 49-334

iglus® GmbH
51147 Cologne

Internet www.igus.de
E-mail info@igus.de

Part Number	d1 +0,25	d2 -0,25	s -0,05	d4 -0,12 +0,12	d5 +0,375 +0,125	h +0,2 -0,2	d6 +0,12
GTM-0509-006	5,0	9,5	0,6	**	**	0,3	9,5
GTM-0615-015	6,0	15,0	1,5	**	**	1,0	15
GTM-0620-015	6,0	20,0	1,5	13,0	1,5	1,0	20
GTM-0713-005	7,0	13,0	0,5	**	**	0,2	13
GTM-0815-005	8,0	15,0	0,5	**	**	0,2	15
GTM-0815-015	8,0	15,0	1,5	**	**	1,0	15
GTM-0818-010	8,0	18,0	1,0	**	**	0,7	18
GTM-0818-015	8,0	18,0	1,5	13,0	1,5	1,0	18
GTM-0918-015	9,0	18,0	1,5	13,5	1,5	1,0	18
GTM-1018-010	10,0	18,0	1,0	**	**	0,7	18
GTM-1018-020	10,0	18,0	2,0	**	**	1,5	18
GTM-1224-015	12,0	24,0	1,5	18,0	1,5	1,0	24
GTM-1420-015	14,0	20,0	1,5	**	**	1,0	20
GTM-1426-015	14,0	26,0	1,5	20,0	2,0	1,0	26
GTM-1522-008	15,0	22,0	0,8	**	**	0,5	22
GTM-1524-015	15,0	24,0	1,5	19,5	1,5	1,0	24
GTM-1524-0275	15,0	24,0	2,75	**	**	2,0	24
GTM-1630-015	16,0	30,0	1,5	22,0	2,0	1,0	30
GTM-1832-015	18,0	32,0	1,5	25,0	2,0	1,0	32
GTM-2036-015	20,0	36,0	1,5	28,0	3,0	1,0	36
GTM-2238-015	22,0	38,0	1,5	30,0	3,0	1,0	38
GTM-2442-015	24,0	42,0	1,5	33,0	3,0	1,0	42
GTM-2644-015	26,0	44,0	1,5	35,0	3,0	1,0	44
GTM-2835-005	28,5	35,8	0,5	**	**	0,2	35,8
GTM-2848-015	28,0	48,0	1,5	38,0	4,0	1,0	48
GTM-3254-015	32,0	54,0	1,5	43,0	4,0	1,0	54
GTM-3862-015	38,0	62,0	1,5	50,0	4,0	1,0	62
GTM-4266-015	42,0	66,0	1,5	54,0	4,0	1,0	66
GTM-4874-020	48,0	74,0	2,0	61,0	4,0	1,5	74
GTM-5278-020	52,0	78,0	2,0	65,0	4,0	1,5	78
GTM-6290-020	62,0	90,0	2,0	76,0	4,0	1,5	90
GTM-6881-020	68,0	81,0	2,0	**	**	1,5	81

** Design without fixing bore



Data in inches

Structure – part no.
G S I-0203-03



Chamfer in relation to the d1

d1 [mm]:	Ø 1-6	Ø 6-12	Ø 12-30	Ø > 30
f [mm]:	0,3	0,5	0,8	1,2

Part Number	d1	d2	b1	d1*		Housing Bore		Shaft Size	
				max.	min.	max.	min.	max.	min.
GSI-0203-03	1/8	3/16	3/16	,1269	,1251	,1878	,1873	,1243	,1236
GSI-0203-04	1/8	3/16	1/4	,1269	,1251	,1878	,1873	,1243	,1236
GSI-0203-06	1/8	3/16	3/8	,1269	,1251	,1878	,1873	,1243	,1236
GSI-0304-04	3/16	1/4	1/4	,1892	,1873	,2503	,2497	,1865	,1858
GSI-0304-06	3/16	1/4	3/8	,1892	,1873	,2503	,2497	,1865	,1858
GSI-0304-08	3/16	1/4	1/2	,1892	,1873	,2503	,2497	,1865	,1858
GSI-0405-04	1/4	5/16	1/4	,2521	,2498	,3128	,3122	,2490	,2481
GSI-0405-05	1/4	5/16	5/16	,2521	,2498	,3128	,3122	,2490	,2481
GSI-0405-06	1/4	5/16	3/8	,2521	,2498	,3128	,3122	,2490	,2481
GSI-0405-08	1/4	5/16	1/2	,2521	,2498	,3128	,3122	,2490	,2481
GSI-0405-10	1/4	5/16	5/8	,2521	,2498	,3128	,3122	,2490	,2481
GSI-0405-12	1/4	5/16	3/4	,2521	,2498	,3128	,3122	,2490	,2481
GSI-0506-04	5/16	3/8	1/4	,3148	,3125	,3753	,3747	,3115	,3106
GSI-0506-06	5/16	3/8	3/8	,3148	,3125	,3753	,3747	,3115	,3106
GSI-0506-08	5/16	3/8	1/2	,3148	,3125	,3753	,3747	,3115	,3106
GSI-0506-12	5/16	3/8	3/4	,3148	,3125	,3753	,3747	,3115	,3106
GSI-0607-04	3/8	15/32	1/4	,3773	,3750	,4691	,4684	,3740	,3731
GSI-0607-06	3/8	15/32	3/8	,3773	,3750	,4691	,4684	,3740	,3731
GSI-0607-08	3/8	15/32	1/2	,3773	,3750	,4691	,4684	,3740	,3731
GSI-0607-12	3/8	15/32	3/4	,3773	,3750	,4691	,4684	,3740	,3731
GSI-0608-08	3/8	8/16	1/2	,3783	,3760	,5015	,5010	,3750	,3741
GSI-0608-12	3/8	8/16	3/4	,3773	,3750	,5015	,5010	,3750	,3741
GSI-0708-04	7/16	17/32	1/4	,4406	,4379	,5316	,5309	,4365	,4355
GSI-0708-08	7/16	17/32	1/2	,4406	,4379	,5316	,5309	,4365	,4355
GSI-0809-03	1/2	19/32	3/16	,5030	,5003	,5941	,5934	,4990	,4980
GSI-0809-04	1/2	19/32	1/4	,5030	,5003	,5941	,5934	,4990	,4980
GSI-0809-06	1/2	19/32	3/8	,5030	,5003	,5941	,5934	,4990	,4980
GSI-0809-08	1/2	19/32	1/2	,5030	,5003	,5941	,5934	,4990	,4980
GSI-0809-10	1/2	19/32	5/8	,5030	,5003	,5941	,5934	,4990	,4980
GSI-0809-16	1/2	19/32	1	,5030	,5003	,5941	,5934	,4990	,4980
GSI-0810-08	1/2	5/8	1/2	,5040	,5013	,6260	,6250	,5000	,4990
GSI-0810-12	1/2	5/8	3/4	,5040	,5013	,6260	,6250	,5000	,4990
GSI-0910-06	9/16	21/32	3/8	,5655	,5627	,6566	,6559	,5615	,5605
GSI-0910-08	9/16	21/32	1/2	,5655	,5627	,6566	,6559	,5615	,5605
GSI-0910-10	9/16	21/32	5/8	,5655	,5627	,6566	,6559	,5615	,5605
GSI-1011-06	5/8	23/32	3/8	,6280	,6253	,7192	,7184	,6240	,6230
GSI-1011-08	5/8	23/32	1/2	,6280	,6253	,7192	,7184	,6240	,6230
GSI-1011-10	5/8	23/32	5/8	,6280	,6253	,7192	,7184	,6240	,6230

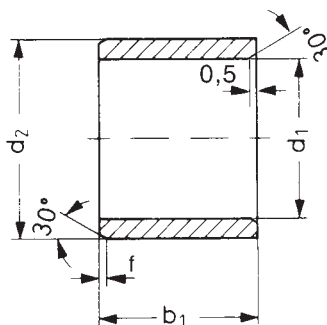
*after pressfit. Testing methods ► page 1.35

iglidur® G – Type S
inch

Phone +49 - 22 03 - 96 49-145
Fax +49 - 22 03 - 96 49-334



iglidur® G | Sleeve Bearing | inch



Data in inches

Structure – part no.
G S I-1011-12



Chamfer in relation to the d1

d1 [mm]:	Ø 1–6	Ø 6–12	Ø 12–30	Ø > 30
f [mm]:	0,3	0,5	0,8	1,2

Part Number	d1	d2	b1	d1*		Housing Bore		Shaft Size	
				max.	min.	max.	min.	max.	min.
GSI-1011-12	5/8	23/32	3/4	,6280	,6253	,7192	,7184	,6240	,6230
GSI-1011-16	5/8	23/32	1	,6280	,6253	,7192	,7184	,6240	,6230
GSI-1011-20	5/8	23/32	1 1/4	,6280	,6253	,7192	,7184	,6240	,6230
GSI-1011-30	5/8	23/32	1 7/8	,6280	,6253	,7192	,7184	,6240	,6230
GSI-1012-08	5/8	3/4	1/2	,6290	,6263	,7510	,7500	,6250	,6240
GSI-1012-16	5/8	3/4	1	,6290	,6263	,7510	,7500	,6250	,6240
GSI-1112-14	11/16	25/32	7/8	,6906	,6879	,7817	,7809	,6865	,6855
GSI-1214-02	3/4	7/8	1/8	,7541	,7505	,8755	,8747	,7491	,7479
GSI-1214-06	3/4	7/8	3/8	,7541	,7505	,8755	,8747	,7491	,7479
GSI-1214-08	3/4	7/8	1/2	,7541	,7505	,8755	,8747	,7491	,7479
GSI-1214-12	3/4	7/8	3/4	,7541	,7505	,8755	,8747	,7491	,7479
GSI-1214-16	3/4	7/8	1	,7541	,7505	,8755	,8747	,7491	,7479
GSI-1214-20	3/4	7/8	1 1/4	,7541	,7505	,8755	,8747	,7491	,7479
GSI-1214-24	3/4	7/8	1 1/2	,7541	,7505	,8755	,8747	,7491	,7479
GSI-1416-06	7/8	1	3/8	,8791	,8757	1,0005	,9997	,8741	,8729
GSI-1416-08	7/8	1	1/2	,8791	,8757	1,0005	,9997	,8741	,8729
GSI-1416-10	7/8	1	5/8	,8791	,8757	1,0005	,9997	,8741	,8729
GSI-1416-12	7/8	1	3/4	,8791	,8757	1,0005	,9997	,8741	,8729
GSI-1416-16	7/8	1	1	,8791	,8757	1,0005	,9997	,8741	,8729
GSI-1416-24	7/8	1	1 1/2	,8791	,8757	1,0005	,9997	,8741	,8729
GSI-1618-08	1	1 1/8	1/2	1,0041	1,0007	1,1255	1,1247	,9991	,9979
GSI-1618-12	1	1 1/8	3/4	1,0041	1,0007	1,1255	1,1247	,9991	,9979
GSI-1618-16	1	1 1/8	1	1,0041	1,0007	1,1255	1,1247	,9991	,9979
GSI-1618-20	1	1 1/8	1 1/4	1,0041	1,0007	1,1255	1,1247	,9991	,9979
GSI-1618-24	1	1 1/8	1 1/2	1,0041	1,0007	1,1255	1,1247	,9991	,9979
GSI-1618-33	1	1 1/8	2 1/16	1,0041	1,0007	1,1255	1,1247	,9991	,9979
GSI-1820-12	1 1/8	1 9/32	3/4	1,1288	1,1254	1,2818	1,2808	1,1238	1,1226
GSI-1820-24	1 1/8	1 9/32	1 1/2	1,1288	1,1254	1,2818	1,2808	1,1238	1,1226
GSI-2022-12	1 1/4	1 13/32	3/4	1,2548	1,2508	1,4068	1,4058	1,2488	1,2472
GSI-2022-14	1 1/4	1 13/32	7/8	1,2548	1,2508	1,4068	1,4058	1,2488	1,2472
GSI-2022-16	1 1/4	1 13/32	1	1,2548	1,2508	1,4068	1,4058	1,2488	1,2472
GSI-2022-20	1 1/4	1 13/32	1 1/4	1,2548	1,2508	1,4068	1,4058	1,2488	1,2472
GSI-2022-24	1 1/4	1 13/32	1 1/2	1,2548	1,2508	1,4068	1,4058	1,2488	1,2472
GSI-2224-16	1 3/8	1 17/32	1	1,3798	1,3758	1,5318	1,5308	1,3738	1,3722
GSI-2224-24	1 3/8	1 17/32	1 1/2	1,3798	1,3758	1,5318	1,5308	1,3738	1,3722
GSI-2224-26	1 3/8	1 17/32	1 5/8	1,3798	1,3758	1,5318	1,5308	1,3738	1,3722
GSI-2426-06	1 1/2	1 21/32	3/8	1,5048	1,5008	1,6568	1,6558	1,4988	1,4972
GSI-2426-07	1 1/2	1 21/32	7/16	1,5048	1,5008	1,6568	1,6558	1,4988	1,4972

*after pressfit. Testing methods ► page 1.35

inch

iglidur® G – Type S

Phone +49 - 22 03 - 96 49-145

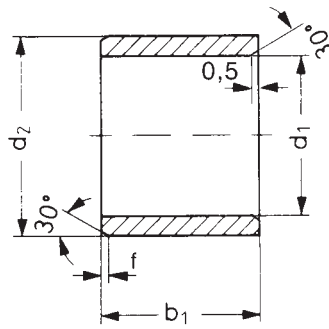
Fax +49 - 22 03 - 96 49-334

iglus® GmbH

51147 Cologne

Internet www.igus.de

E-mail info@igus.de



Data in inches

Structure – part no.
G S I-2426-08



Chamfer in relation to the d1

d1 [mm]:	Ø 1-6	Ø 6-12	Ø 12-30	Ø > 30
f [mm]:	0,3	0,5	0,8	1,2

Part Number	d1	d2	b1	d1*		Housing Bore		Shaft Size	
				max.	min.	max.	min.	max.	min.
GSI-2426-08	1 1/2	1 21/32	1/2	1,5048	1,5008	1,6568	1,6558	1,4988	1,4972
GSI-2426-12	1 1/2	1 21/32	3/4	1,5048	1,5008	1,6568	1,6558	1,4988	1,4972
GSI-2426-16	1 1/2	1 21/32	1	1,5048	1,5008	1,6568	1,6558	1,4988	1,4972
GSI-2426-24	1 1/2	1 21/32	1 1/2	1,5048	1,5008	1,6568	1,6558	1,4988	1,4972
GSI-2629-20	1 5/8	1 25/32	1 1/4	1,6297	1,6258	1,7818	1,7808	1,6238	1,6222
GSI-2831-16	1 3/4	1 15/16	1	1,7547	1,7505	1,9381	1,9371	1,7487	1,7471
GSI-2831-24	1 3/4	1 15/16	1 1/2	1,7547	1,7505	1,9381	1,9371	1,7487	1,7471
GSI-2831-32	1 3/4	1 15/16	2	1,7547	1,7505	1,9381	1,9371	1,7487	1,7471
GSI-2831-40	1 3/4	1 15/16	2 1/2	1,7547	1,7505	1,9381	1,9371	1,7487	1,7471
GSI-2831-48	1 3/4	1 15/16	3	1,7547	1,7505	1,9381	1,9371	1,7487	1,7471
GSI-3235-16	2	2 3/16	1	2,0057	2,0011	2,1883	2,1871	1,9981	1,9969
GSI-3235-24	2	2 3/16	1 1/2	2,0057	2,0011	2,1883	2,1871	1,9981	1,9969
GSI-3235-32	2	2 3/16	2	2,0057	2,0011	2,1883	2,1871	1,9981	1,9969
GSI-3639-32	2 1/4	2 7/16	2	2,2577	2,2531	2,4377	2,4365	2,2507	2,2489
GSI-4043-32	2 2/4	2 11/16	2	2,5082	2,5035	2,6881	2,6869	2,5000	2,4999
GSI-4447-32	2 3/4	2 15/16	2	2,7570	2,7523	2,9370	2,9358	2,7500	2,7490
GSI-4851-32	3	3 3/16	2	3,0070	3,0023	3,1870	3,1858	3,0000	2,9990

*after pressfit. Testing methods ► page 1.35

iglidur® G – Type S
inch

Phone +49 - 22 03 - 96 49-145
Fax +49 - 22 03 - 96 49-334

Order example

Our price breaks are defined by the order quantity.

1- 9	25-49	100-199	500- 999	2500-4999
10-24	50-99	200-499	1000-2499	

For the current prices please visit the igus®-Homepage on www.igus.de/en
No minimum order quantities, no surcharges.

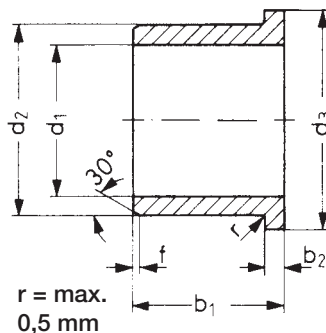




iglidur® G | Flange Bearing | inch

inch

iglidur® G – Type F



Data in inches

Structure – part no.
G F I-0203-02



Chamfer in relation to the d1

d1 [mm]:	Ø 1-6	Ø 6-12	Ø 12-30	Ø > 30
f [mm]:	0,3	0,5	0,8	1,2

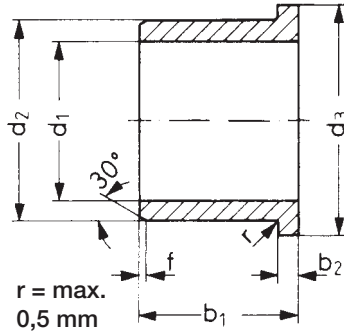
Phone +49 - 22 03 - 96 49-145
Fax +49 - 22 03 - 96 49-334

iglus® GmbH
51147 Cologne

Internet www.igus.de
E-mail info@igus.de

Part Number	d1	d2	b1	d3	b2	d1*		Housing Bore		Shaft Size	
						max.	min.	max.	min.	max.	min.
GFI-0203-02	1/8	3/16	1/8	,312	,032	,1269	,1251	,1878	,1873	,1243	,1236
GFI-0203-03	1/8	3/16	3/16	,312	,032	,1269	,1251	,1878	,1873	,1243	,1236
GFI-0203-04	1/8	3/16	1/4	,312	,032	,1269	,1251	,1878	,1873	,1243	,1236
GFI-0203-06	1/8	3/16	3/8	,312	,032	,1269	,1251	,1878	,1873	,1243	,1236
GFI-0304-04	3/16	1/4	1/4	,375	,032	,1892	,1873	,2503	,2497	,1865	,1858
GFI-0304-06	3/16	1/4	3/8	,375	,032	,1892	,1873	,2503	,2497	,1865	,1858
GFI-0304-08	3/16	1/4	1/2	,375	,032	,1892	,1873	,2503	,2497	,1865	,1858
GFI-0405-04	1/4	5/16	1/4	,500	,032	,2521	,2498	,3128	,3122	,2490	,2481
GFI-0405-05	1/4	5/16	5/16	,500	,032	,2521	,2498	,3128	,3122	,2490	,2481
GFI-0405-06	1/4	5/16	3/8	,500	,032	,2521	,2498	,3128	,3122	,2490	,2481
GFI-0405-08	1/4	5/16	1/2	,500	,032	,2521	,2498	,3128	,3122	,2490	,2481
GFI-0405-12	1/4	5/16	3/4	,500	,032	,2521	,2498	,3128	,3122	,2490	,2481
GFI-0506-04	5/16	3/8	1/4	,562	,032	,3148	,3125	,3753	,3747	,3115	,3106
GFI-0506-06	5/16	3/8	3/8	,562	,032	,3148	,3125	,3753	,3747	,3115	,3106
GFI-0506-08	5/16	3/8	1/2	,562	,032	,3148	,3125	,3753	,3747	,3115	,3106
GFI-0506-12	5/16	3/8	3/4	,562	,032	,3148	,3125	,3753	,3747	,3115	,3106
GFI-0607-04	3/8	15/32	1/4	,687	,046	,3773	,3750	,4691	,4684	,3740	,3731
GFI-0607-05	3/8	15/32	5/16	,687	,046	,3773	,3750	,4691	,4684	,3740	,3731
GFI-0607-06	3/8	15/32	3/8	,687	,046	,3773	,3750	,4691	,4684	,3740	,3731
GFI-0607-08	3/8	15/32	1/2	,687	,046	,3773	,3750	,4691	,4684	,3740	,3731
GFI-0607-12	3/8	15/32	3/4	,687	,046	,3773	,3750	,4691	,4684	,3740	,3731
GFI-0607-14	3/8	15/32	7/8	,687	,046	,3773	,3750	,4691	,4684	,3740	,3731
GFI-0708-04	7/16	17/32	1/4	,750	,046	,4406	,4379	,5316	,5309	,4365	,4355
GFI-0708-08	7/16	17/32	1/2	,750	,046	,4406	,4379	,5316	,5309	,4365	,4355
GFI-0809-04	1/2	19/32	1/4	,875	,046	,5030	,5003	,5941	,5934	,4990	,4980
GFI-0809-05	1/2	19/32	5/16	,875	,046	,5030	,5003	,5941	,5934	,4990	,4980
GFI-0809-06	1/2	19/32	3/8	,875	,046	,5030	,5003	,5941	,5934	,4990	,4980
GFI-0809-08	1/2	19/32	1/2	,875	,046	,5030	,5003	,5941	,5934	,4990	,4980
GFI-0809-12	1/2	19/32	3/4	,875	,046	,5030	,5003	,5941	,5934	,4990	,4980
GFI-0809-16	1/2	19/32	1	,875	,046	,5030	,5003	,5941	,5934	,4990	,4980
GFI-1011-06	5/8	23/32	3/8	,937	,046	,6280	,6253	,7192	,7184	,6240	,6230
GFI-1011-08	5/8	23/32	1/2	,937	,046	,6280	,6253	,7192	,7184	,6240	,6230
GFI-1011-12	5/8	23/32	3/4	,937	,046	,6280	,6253	,7192	,7184	,6240	,6230
GFI-1011-14	5/8	23/32	7/8	,937	,046	,6280	,6253	,7192	,7184	,6240	,6230
GFI-1011-16	5/8	23/32	1	,937	,046	,6280	,6253	,7192	,7184	,6240	,6230
GFI-1011-24	5/8	23/32	1 1/2	,937	,046	,6280	,6253	,7192	,7184	,6240	,6230
GFI-1214-02	3/4	7/8	1/8	1,125	,062	,7541	,7505	,8755	,8747	,7491	,7479
GFI-1214-06	3/4	7/8	3/8	1,125	,062	,7541	,7505	,8755	,8747	,7491	,7479

*after pressfit. Testing methods ► page 1.35



Data in inches

Structure – part no.
G F I-1214-08



Chamfer in relation to the d1

d1 [mm]:	Ø 1-6	Ø 6-12	Ø 12-30	Ø > 30
f [mm]:	0,3	0,5	0,8	1,2

Part Number	d1	d2	b1	d3	b2	d1*		Housing Bore		Shaft Size	
						max.	min.	max.	min.	max.	min.
GFI-1214-08	3/4	7/8	1/2	1,125	,062	,7541	,7505	,8755	,8747	,7491	,7479
GFI-1214-10	3/4	7/8	5/8	1,125	,062	,7541	,7505	,8755	,8747	,7491	,7479
GFI-1214-12	3/4	7/8	3/4	1,125	,062	,7541	,7505	,8755	,8747	,7491	,7479
GFI-1214-16	3/4	7/8	1	1,125	,062	,7541	,7505	,8755	,8747	,7491	,7479
GFI-1214-24	3/4	7/8	1 1/2	1,125	,062	,7541	,7505	,8755	,8747	,7491	,7479
GFI-1416-08	7/8	1	1/2	1,250	,062	,8791	,8757	1,0005	,9997	,8741	,8729
GFI-1416-12	7/8	1	3/4	1,250	,062	,8791	,8757	1,0005	,9997	,8741	,8729
GFI-1416-16	7/8	1	1	1,250	,062	,8791	,8757	1,0005	,9997	,8741	,8729
GFI-1416-20	7/8	1	1 1/4	1,250	,062	,8791	,8757	1,0005	,9997	,8741	,8729
GFI-1416-24	7/8	1	1 1/2	1,250	,062	,8791	,8757	1,0005	,9997	,8741	,8729
GFI-1618-08	1	1 1/8	1/2	1,375	,062	1,0041	1,0007	1,1255	1,1247	,9991	,9979
GFI-1618-12	1	1 1/8	3/4	1,375	,062	1,0041	1,0007	1,1255	1,1247	,9991	,9979
GFI-1618-16	1	1 1/8	1	1,375	,062	1,0041	1,0007	1,1255	1,1247	,9991	,9979
GFI-1618-20	1	1 1/8	1 1/4	1,375	,062	1,0041	1,0007	1,1255	1,1247	,9991	,9979
GFI-1618-24	1	1 1/8	1 1/2	1,375	,062	1,0041	1,0007	1,1255	1,1247	,9991	,9979
GFI-1820-12	1 1/8	1 9/32	3/4	1,562	,078	1,1288	1,1254	1,2818	1,2808	1,1238	1,1226
GFI-1820-24	1 1/8	1 9/32	1 1/2	1,562	,078	1,1288	1,1254	1,2818	1,2808	1,1238	1,1226
GFI-2022-06	1 1/4	1 13/32	3/8	1,687	,078	1,2548	1,2508	1,4068	1,4058	1,2488	1,2472
GFI-2022-12	1 1/4	1 13/32	3/4	1,687	,078	1,2548	1,2508	1,4068	1,4058	1,2488	1,2472
GFI-2022-14	1 1/4	1 13/32	7/8	1,687	,078	1,2548	1,2508	1,4068	1,4058	1,2488	1,2472
GFI-2022-16	1 1/4	1 13/32	1	1,687	,078	1,2548	1,2508	1,4068	1,4058	1,2488	1,2472
GFI-2022-20	1 1/4	1 13/32	1 1/4	1,687	,078	1,2548	1,2508	1,4068	1,4058	1,2488	1,2472
GFI-2022-24	1 1/4	1 13/32	1 1/2	1,687	,078	1,2548	1,2508	1,4068	1,4058	1,2488	1,2472
GFI-2224-16	1 3/8	1 17/32	1	1,875	,078	1,3798	1,3758	1,5318	1,5308	1,3738	1,3722
GFI-2426-12	1 1/2	1 21/32	3/4	2,000	,078	1,5048	1,5008	1,6568	1,6558	1,4988	1,4972
GFI-2426-16	1 1/2	1 21/32	1	2,000	,078	1,5048	1,5008	1,6568	1,6558	1,4988	1,4972
GFI-2426-24	1 1/2	1 21/32	1 1/2	2,000	,078	1,5048	1,5008	1,6568	1,6558	1,4988	1,4972
GFI-2831-16	1 3/4	1 15/16	1	2,375	,093	1,7547	1,7505	1,9381	1,9371	1,7487	1,7471
GFI-2831-24	1 3/4	1 15/16	1 1/2	2,375	,093	1,7547	1,7505	1,9381	1,9371	1,7487	1,7471
GFI-2831-32	1 3/4	1 15/16	2	2,375	,093	1,7547	1,7505	1,9381	1,9371	1,7487	1,7471
GFI-3235-16	2	2 3/16	1	2,625	,093	2,0057	2,0011	2,1883	2,1871	1,9981	1,9969
GFI-3235-24	2	2 3/16	1 1/2	2,625	,093	2,0057	2,0011	2,1883	2,1871	1,9981	1,9969
GFI-3235-32	2	2 3/16	2	2,625	,093	2,0057	2,0011	2,1883	2,1871	1,9981	1,9969
GFI-3639-32	2 1/4	2 7/16	2	2,750	,093	2,2577	2,2531	2,4377	2,4365	2,2507	2,2489
GFI-4043-32	2 1/2	2 11/16	2	3,125	,093	2,5082	2,5035	2,6881	2,6869	2,5000	2,4999
GFI-4447-32	2 3/4	2 15/16	2	3,375	,093	2,7570	2,7523	2,9370	2,9358	2,7500	2,7490

*after pressfit. Testing methods ► page 1.35

iglidur® G – Type F
inch

Phone +49 - 22 03 - 96 49-145
Fax +49 - 22 03 - 96 49-334



iglus®

iglidur® G | Thrust Washer | inch

inch

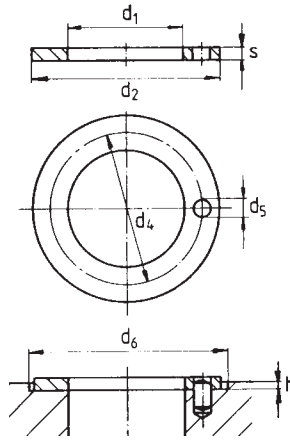
iglidur® G – Type T

Phone +49 - 22 03 - 96 49-145
Fax +49 - 22 03 - 96 49-334

iglus® GmbH
51147 Cologne

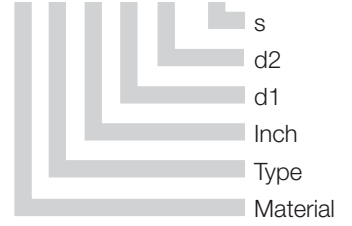
Internet www.igus.de
E-mail info@igus.de

2.24

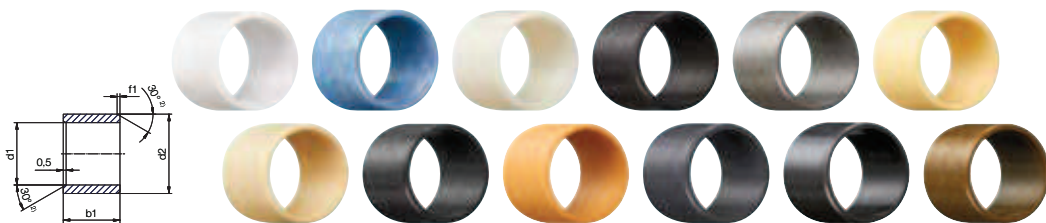


Data in inches

Structure – part no.
GT I-0814-01

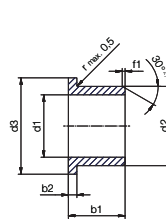


Part Number	d1	d2	s	d4	d5	h	d6
	+,010	-,010	-,0020	+,005	,015 +,005	+,008	+,005
GTI-0814-01	,500	,875	,0585	,692	,067	,040	,875
GTI-1018-01	,625	1,125	,0585	,880	,099	,040	1,125
GTI-1220-01	,750	1,250	,0585	1,005	,099	,040	1,250
GTI-1424-01	,875	1,500	,0585	1,192	,130	,040	1,500
GTI-1628-01	1,000	1,750	,0585	1,380	,130	,040	1,750
GTI-2034-01	1,250	2,125	,0585	1,692	,161	,040	2,125
GTI-2440-01	1,500	2,500	,0585	2,005	,192	,040	2,500
GTI-2844-01	1,750	2,750	,0585	2,255	,192	,040	2,750
GTI-3248-01	2,000	3,000	,0895	2,505	,192	,070	3,000



Dimensions sleeve Abmessungen zylindrisch [mm]

Part No. Art.-Nr.	d1	d1 tolerance d1-Toleranz	d2	b1 h13
A180SM-0810-15	8.0	+0.025 +0.083	10.0	15.0
A350SM-1416-12	14.0	+0.016 +0.068	16.0	12.0
C500SM-3034-30	30.0	+0.020 +0.104	34.0	30.0
F2SM-1214-15	12.0	+0.032 +0.102	14.0	15.0
F2SM-1618-20	16.0	+0.032 +0.102	18.0	20.0
GSM-0406-06	4.0	+0.020 +0.068	6.0	6.0
GSM-0810-36	8.0	+0.025 +0.083	10.0	36.0
GSM-120125-78	120.0	+0.072 +0.212	125.0	78.0
GSM-1214-45	12.0	+0.032 +0.102	14.0	45.0
GSM-1820-30	18.0	+0.032 +0.102	20.0	30.0
GSM-1822-15	18.0	+0.032 +0.102	22.0	15.0
GSM-2021-095	20.0	+0.020 +0.072	21.0	9.5
JSM-0814-08	8.0	+0.040 +0.130	14.0	8.0
JSM-1216-06	12.0	+0.050 +0.0160	16.0	6.0
JSM-1218-10	12.0	+0.050 +0.0160	18.0	10.0
JSM-1315-06	13.0	+0.050 +0.0160	15.0	6.0
JSM-1620-20	16.0	+0.050 +0.0160	20.0	20.0
JSM-6065-100	60.0	+0.060 +0.180	65.0	100.0
MSM-1620-10	16.0	+0.050 +0.0160	20.0	10.0
P210SM-1214-04	12.0	+0.032 +0.102	14.0	4.0
PSM-0608-05	6.0	+0.020 +0.068	8.0	5.0
PSM-0812-10	8.0	+0.040 +0.130	12.0	10.0
PSM-3236-15	32.0	+0.050 +0.150	36.0	15.0
Q2SM-1012-04	10.0	+0.025 +0.083	12.0	4.0
Q2SM-4246-52	42.0	+0.050 +0.150	46.0	52.0
X6SM-1416-22	14.0	+0.016 +0.086	16.0	22.0
X6SM-1618-12	16.0	+0.016 +0.086	18.0	12.0
X6SM-2023-15	20.0	+0.020 +0.104	23.0	15.0
ZSM-2225-35	22.0	+0.020 +0.104	25.0	35.0
ZSM-6065-25	60.0	+0.030 +0.150	65.0	25.0
ZSM-9095-100	90.0	+0.036 +0.176	95.0	100.0



Dimensions with flange Abmessungen mit Bund [mm]

Part No. Art.-Nr.	d1	d1 tolerance d1-Toleranz	d2	d3	b1 h13	b2
GFM-060710-06	6.0	+0.010 +0.040	7.0	10.0	6.0	0.5
GFM-0812-16	8.0	+0.040 +0.130	12.0	16.0	16.0	2.0
GFM-101115-03	10.0	+0.013 +0.046	11.0	15.0	3.0	1.0
GFM-1012-11	10.0	+0.025 +0.083	12.0	18.0	11.0	1.0
GFM-1012-25	10.0	+0.025 +0.083	12.0	18.0	25.0	1.0
GFM-1719-07	17.0	+0.032 +0.102	19.0	25.0	7.0	1.0
GFM-2527-12	25.0	+0.040 +0.124	27.0	32.0	12.0	1.0
GFM-2527-15	25.0	+0.040 +0.124	27.0	32.0	15.0	1.0
GFM-3034-12	30.0	+0.040 +0.124	34.0	42.0	12.0	2.0
GFM-303440-07	30.0	+0.040 +0.124	34.0	40.0	7.0	2.0
H1FM-0405-06	4.0	+0.010 +0.058	5.5	9.5	6.0	0.8
J350FM-6065-50	60.0	+0.030 +0.150	65.0	73.0	50.0	2.0
J3FM-081418-15	8.0	+0.025 +0.083	14.0	18.0	15.0	2.0
JFM-040810-15	4.0	+0.020 +0.068	8.0	10.0	15.0	2.0
JFM-0810-03	8.0	+0.025 +0.083	10.0	15.0	3.0	1.0
JFM-121419-06	12.0	+0.032 +0.102	14.0	19.0	6.0	1.0
JFM-121622-20	12.0	+0.050 +0.0160	16.0	22.0	20.0	2.0
JFM-2023-07	20.0	+0.040 +0.124	23.0	30.0	7.0	1.5
PFM-1214-08	12.0	+0.032 +0.102	14.0	8.0	20.0	1.0
PFM-1618-08	16.0	+0.032 +0.102	18.0	8.0	24.0	1.0
P210FM-0405-06	4.0	+0.020 +0.068	5.5	9.5	6.0	0.8
Q290FM-8085-100	80.0	+0.060 +0.180	85.0	93.0	100.0	2.5
Q2FM-101219-13	10.0	+0.025 +0.083	12.0	19.0	13.0	1.0
Q2FM-1013-05	10.0	+0.025 +0.083	13.0	20.0	5.0	1.0
Q2FM-2023-07	20.0	+0.040 +0.124	23.0	30.0	7.0	1.5
QFM-101215-04	10.0	+0.025 +0.083	12.0	15.0	4.0	1.0
QFM-121418-06	12.0	+0.032 +0.102	14.0	18.0	6.0	1.0
WFM-2023-08	20.0	+0.040 +0.124	23.0	30.0	8.0	1.5
XFM-1214-50	12.0	+0.016 +0.086	14.0	50.0	20.0	1.0
X6FM-0608-04	6.0	+0.010 +0.058	8.0	12.0	4.0	1.0
ZFM-1012-25	10.0	+0.013 +0.071	12.0	18.0	25.0	1.0
ZFM-2023-075	20.0	+0.020 +0.104	23.0	30.0	7.5	1.5

Calculate online Online berechenbar

www.igus.eu/iglidur-experte

www.igus.de/iglidur-expert

Available Lieferbar
from stock ab Lager

www.igus.de/iglidur
www.igus.eu/iglidur

Calculate online Online berechenbar

www.igus.eu/iglidur-experte

www.igus.de/iglidur-expert

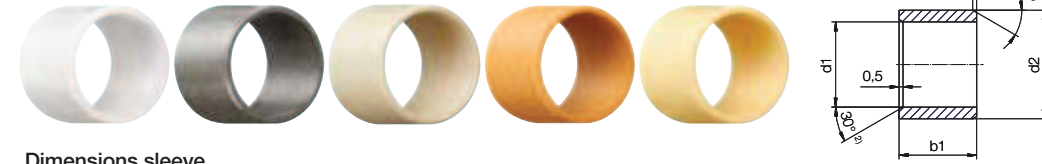
Available Lieferbar
from stock ab Lager

www.igus.de/iglidur
www.igus.eu/iglidur



Dimensions thrust washer Abmessungen Anlaufscheiben [mm]

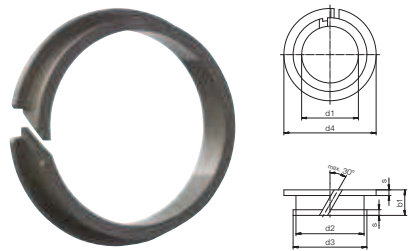
Part No. Art.-Nr.	d1	d2	s	d4 h13	d5
GTM-0825-015	8	25	1.5	-	-
GTM-1220-010	12	20	1	-	-
GTM-4060-035	40	60	3.5	-	-
JTM-0615-015	6	15	1.5	-	-
JTM-0815-015	8	15	1.5	-	-
JTM-0818-015	8	18	1.5	13	1.5
JTM-1018-010	10	18	1	-	-
JTM-2644-015	26	44	1.5	35	3
JTM-6290-020	62	90	2	-	-



Dimensions sleeve
Abmessungen zylindrisch [inch]

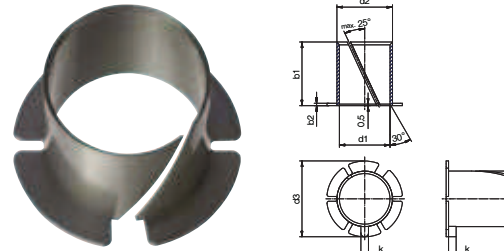
Part No. Art.-Nr.	d1	d1 tolerance d1-Toleranz	d2	b1 h13
A181SI-0406-06	1/4	+0.2539 +0.2516	3/8	3/8
GSI-1216-08	3/4	+0.7590 +0.7560	1	1/2
GSI-1620-55	1	+1.0092 +1.0062	1 1/4	55/16
GSI-1620-14	1	+1.0092 +1.0062	1 1/4	7/8
GSI-1620-44	1	+1.0092 +1.0062	1 1/4	11/4
GSI-2428-44	1 1/2	+1.5107 +1.5067	1 3/4	11/4
GSI-2428-20	1 1/2	+1.5107 +1.5067	1 3/4	1 1/4
GSI-5659-48	3 1/2	+3.5830 +3.5028	59/16	3
H1SI-0810-12	1/2	+0.5034 +0.5006	5/8	3/4

Part No. Art.-Nr.	d1	d1 tolerance d1-Toleranz	d2	b1 h13
JSI-1011-10	5/8	+0.6280 +0.6253	23/32	5/8
JSI-1011-14	5/8	+0.6280 +0.6253	23/32	7/8
JSI-1011-20	5/8	+0.6280 +0.6253	23/32	1 1/4
JSI-2226-32	1 3/8	+1.3809 +1.3770	1 5/8	2
Q2SI-4852-48	3	+3.0071 +3.0024	3 1/4	3
QSI-2428-16	1 1/2	+1.5059 +1.5020	1 3/4	1
QSI-2428-24	1 1/2	+1.5059 +1.5020	1 3/4	1
QSI-2428-40	1 1/2	+1.5059 +1.5020	1 3/4	5/2



Dimensions clips bearing
Abmessungen Clipslager [mm]

Part No. Art.-Nr.	d1	d2	d3	d4	s	b1
MCM-12-018	12.0	13.6	14.4	17.0	0.8	3.4



Dimensions split bearing
Abmessungen Schlitzlager [inch]

Part No. Art.-Nr.	d1	d2	b1	d3	b2
MYI-05-10	5/16	0.3744	5/8	1/2	0.0299



Dimensions with flange
Abmessungen mit Bund [inch]

Part No. Art.-Nr.	d1	d1 tolerance d1-Toleranz	d2	d3	b1 h13	b2
GFI-1012-08	5/8	+0.6297 +0.6270	3/4	1/2	1	0.062
GFI-1012-12	5/8	+0.6297 +0.6270	3/4	3/4	1	0.062
GFI-1012-16	5/8	+0.6297 +0.6270	3/4	1	1	0.062
GFI-1214-18	3/4	+0.7541 +0.7505	7/8	1 1/4	1.125	0.062
ZFI-0304-06	3/16	+0.1888 +0.1869	1/4	3/8	0.375	0.032

Calculate online Online berechenbar
www.igus.eu/iglidur-experte
www.igus.de/iglidur-expert

Available Lieferbar
 from stock ab Lager

www.igus.de/iglidur
www.igus.eu/iglidur

Calculate online Online berechenbar
www.igus.eu/iglidur-experte
www.igus.de/iglidur-expert

Available Lieferbar
 from stock ab Lager

www.igus.de/iglidur
www.igus.eu/iglidur