



igus®

# igubal® EFOM HT | Flange Bearing | mm

EFOM HT

mm

Flange Bearings

Phone +49 - 22 03 - 96 49-145  
Fax +49 - 22 03 - 96 49-334

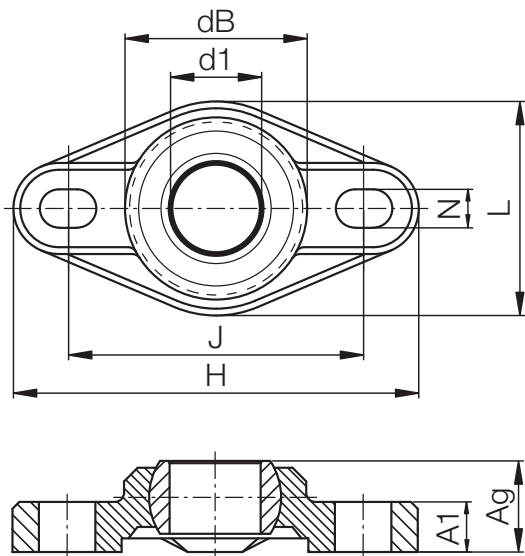
igus® GmbH  
51147 Cologne

Internet [www.igus.de](http://www.igus.de)  
E-mail [info@igus.de](mailto:info@igus.de)

54.8



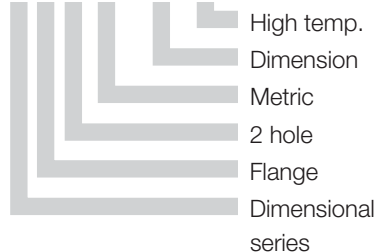
With 2 mounting holes



Data in mm

Structure – part no.

EFOM - 06 HT



### Material

Housing: iguton

► Page 70.6

Spherical Bearing:

iglidur® X

► Chapter 6

## Special Properties

- Used up to 200°C
- iglidur® X highly wear resistant spherical ball
- Easy to install
- Compensation for alignment errors
- Corrosion resistance
- Light weight
- Maintenance-free, self-lubricating
- Chemical-resistant, under-water use

## Dimensions [mm]

igubal® – Flange Bearing EFOM HT with 2 Mounting Holes

Part No	d1 E10	dB	H Size	L Width	J Hole Pitch ±0,1	A <sub>1</sub> Height of Plate	A <sub>9</sub> Height Total	N Bore Diameter d x l	Max. Pivot Angle
EFOM-06 HT	6	14,0	33,8	16,0	24,0	4,5	8,5	3,2 x 5,5	27°
EFOM-08 HT	8	18,0	44,2	22,0	31,0	5,5	10,5	4,3 x 6,5	24°
EFOM-10 HT	10	22,0	52,0	26,0	36,0	6,5	12,0	5,3 x 8,0	24°
EFOM-12 HT	12	25,0	56,7	31,0	41,0	7,0	13,0	5,3 x 8,0	21°

Available from stock

Lifetime calculation, CAD files and much more support ► [www.igus.de/en/efom](http://www.igus.de/en/efom)