

# 5105 Elbow 90° long SDR17

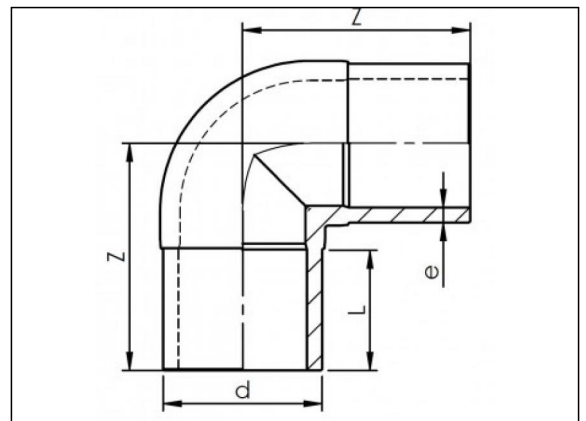
## Product information

**Material**

- PE100

**Manufacture**

- Injection moulded



## Available items

ART.CODE	d	L	Z	e	Verp
5105109001	90	81	145	5.4	16
5105111001	110	86	163	6.6	10
5105112501	125	90	177	7.4	7
5105114001	140	95	192	8.3	3
5105116001	160	102	212	9.5	2
5105118001	180	109	232	10.7	2
5105120001	200	115	253	11.9	1
5105122501	225	124	275	13.4	1

**Van de Lande BV**

Lissenveld 1 \ 4941 VK Raamsdonksveer \ The Netherlands \ t +31 (0)162 51 60 00 \ f +31 (0)162 52 14 17 \ sales@vandelande.com  
 Traderegister Tilburg: 18070844 \ IBAN: NL13 RABO 0143 0035 26 \ BIC: RABONL2U \ VAT: NL 8123.91.755.B01