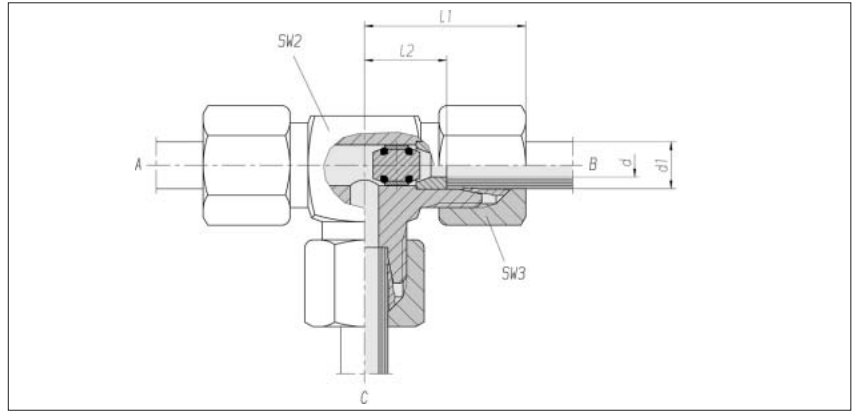
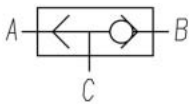


## Shuttle valves

Soft-sealing

Tube installation



Series	Pressure	d	SW2	SW3	l1	l2	kg/100	Order No.	Order No.
Tube OD					approx.		approx.	Single component	**
d1									
L 8	PB 250	4.5	14	17	29	14	5.8	5 6 90 98 02 81*	5 6 90 98 02 07
L 10	PB 250	6	17	19	30	15	7.4	5 6 90 98 12 81	5 6 90 98 12 07
L 12	PB 250	7.5	19	22	32	17	11.1	5 6 90 98 22 81	5 6 90 98 22 07
L 15	PB 250	10	19	27	36	21	26.0	5 6 90 98 32 81	5 6 90 98 32 07
S 6	PB 630	3	14	17	31	16	12.6	5 6 90 98 42 81	5 6 90 98 42 07
S 8	PB 630	4.5	17	19	32	17	12.1	5 6 90 98 52 81	5 6 90 98 52 07
S 10	PB 630	6	19	22	34	17.5	22.1	5 6 90 98 53 81	5 6 90 98 53 07
S 12	PB 630	7.5	22	24	38	21.5	17.9	5 6 90 98 54 81	5 6 90 98 54 07
S 16	PB 400	10	24	30	43	24.5	19.7	5 6 90 98 55 81	5 6 90 98 55 07

\* Sample product code, see: WV08LOMD

\*\* With union nut and 2S cutting ring