



# SFM

## Stable Flex Mounts

### Stable machine feet

**These rugged, fail-safe isolators of the SFM product group are maintenance-free, ready-to-install machine elements. Neoprene is used as the standard damping material for these extremely effective fasteners.**

The isolators are used in marine applications and for diesel generators. The SFMs are available in three sizes for applications from 50 kg to 1,000 kg. Their longitudinal rigidity exceeds their transverse rigidity by a factor of 2.5. Under a working load, the SFMs have a natural frequency of only 8 Hz.

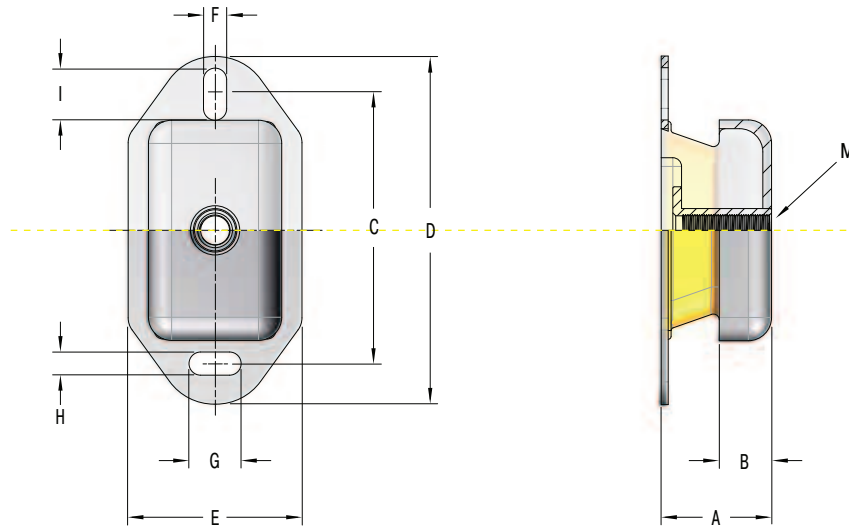
#### Properties

- Fail-safe
- Low natural frequency
- Rugged
- Versatile
- Maintenance-free

#### Areas of application

- Power generation
- Off-road
- Diesel and marine applications

## SFM-52010-xx / SFM-52011-xx / SFM-52012-xx



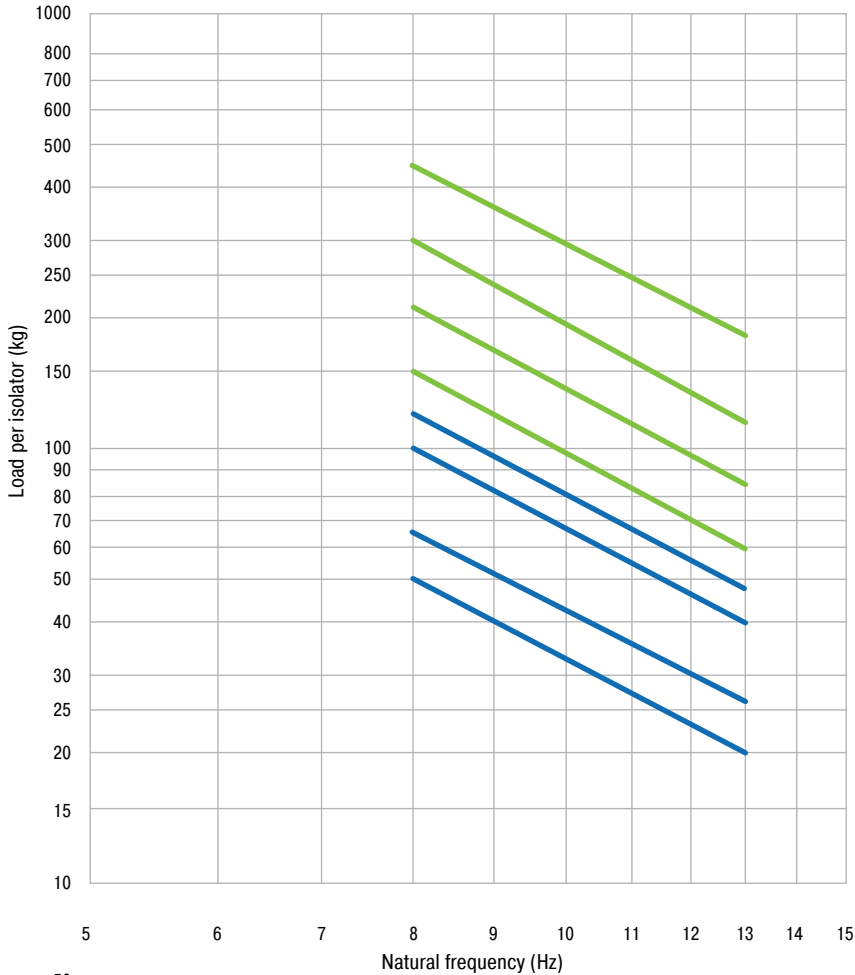
Type	Max. load kg	Thread M	A mm	B mm	C mm	D mm	E mm	F mm	G mm	H mm	I mm
<b>SFM-52010-45</b>	49.9	M12	38.6	20.1	100.1	119.9	59.9	14.2	14.0	10.9	14.0
<b>SFM-52010-55</b>	65.8	M12	38.6	20.1	100.1	119.9	59.9	14.2	14.0	10.9	14.0
<b>SFM-52010-65</b>	99.8	M12	38.6	20.1	100.1	119.9	59.9	14.2	14.0	10.9	14.0
<b>SFM-52010-75</b>	120.2	M12	38.6	20.1	100.1	119.9	59.9	14.2	14.0	10.9	14.0
<b>SFM-52011-45</b>	149.7	M16	50.0	27.9	140.0	182.9	74.9	13.0	30.0	13.0	20.3
<b>SFM-52011-55</b>	210.9	M16	50.0	27.9	140.0	182.9	74.9	13.0	30.0	13.0	20.3
<b>SFM-52011-65</b>	299.4	M16	50.0	27.9	140.0	182.9	74.9	13.0	30.0	13.0	20.3
<b>SFM-52011-75</b>	449.1	M16	50.0	27.9	140.0	182.9	74.9	13.0	30.0	13.0	20.3
<b>SFM-52012-45</b>	349.3	M20	72.6	41.9	182.1	228.1	112.0	18.0	34.0	18.0	26.7
<b>SFM-52012-55</b>	519.4	M20	72.6	41.9	182.1	228.1	112.0	18.0	34.0	18.0	26.7
<b>SFM-52012-65</b>	703.1	M20	72.6	41.9	182.1	228.1	112.0	18.0	34.0	18.0	26.7
<b>SFM-52012-75</b>	997.9	M20	72.6	41.9	182.1	228.1	112.0	18.0	34.0	18.0	26.7



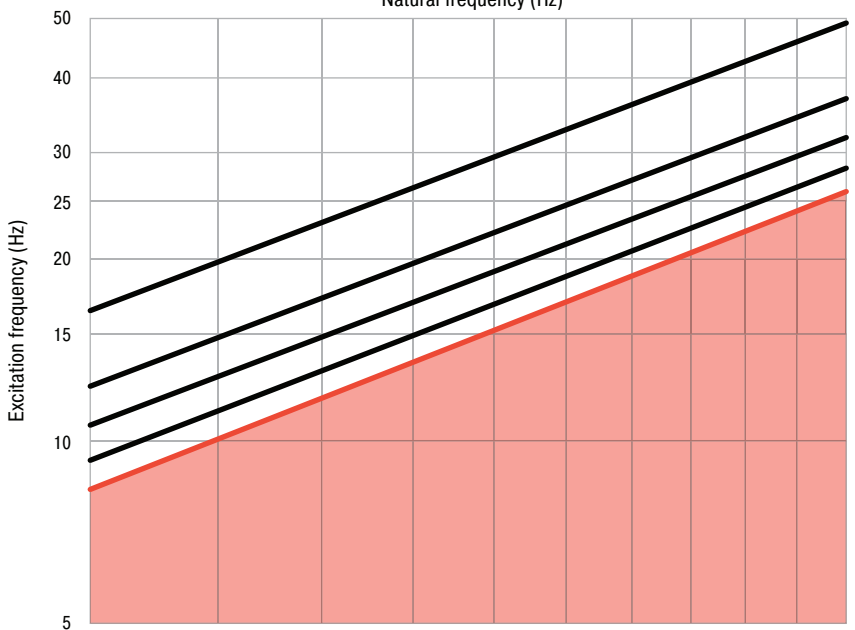
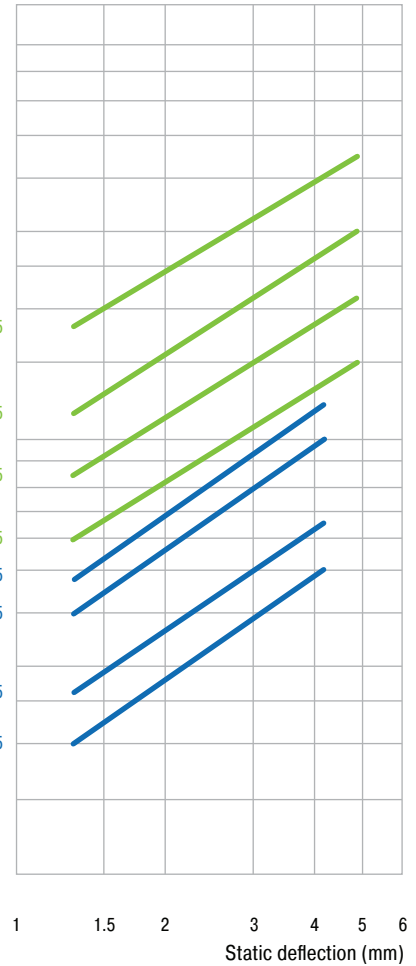
# SFM-52010 / SFM-52011

1

2



52011-75  
52011-65  
52011-55  
52011-45  
52010-75  
52010-65  
52010-55  
52010-45



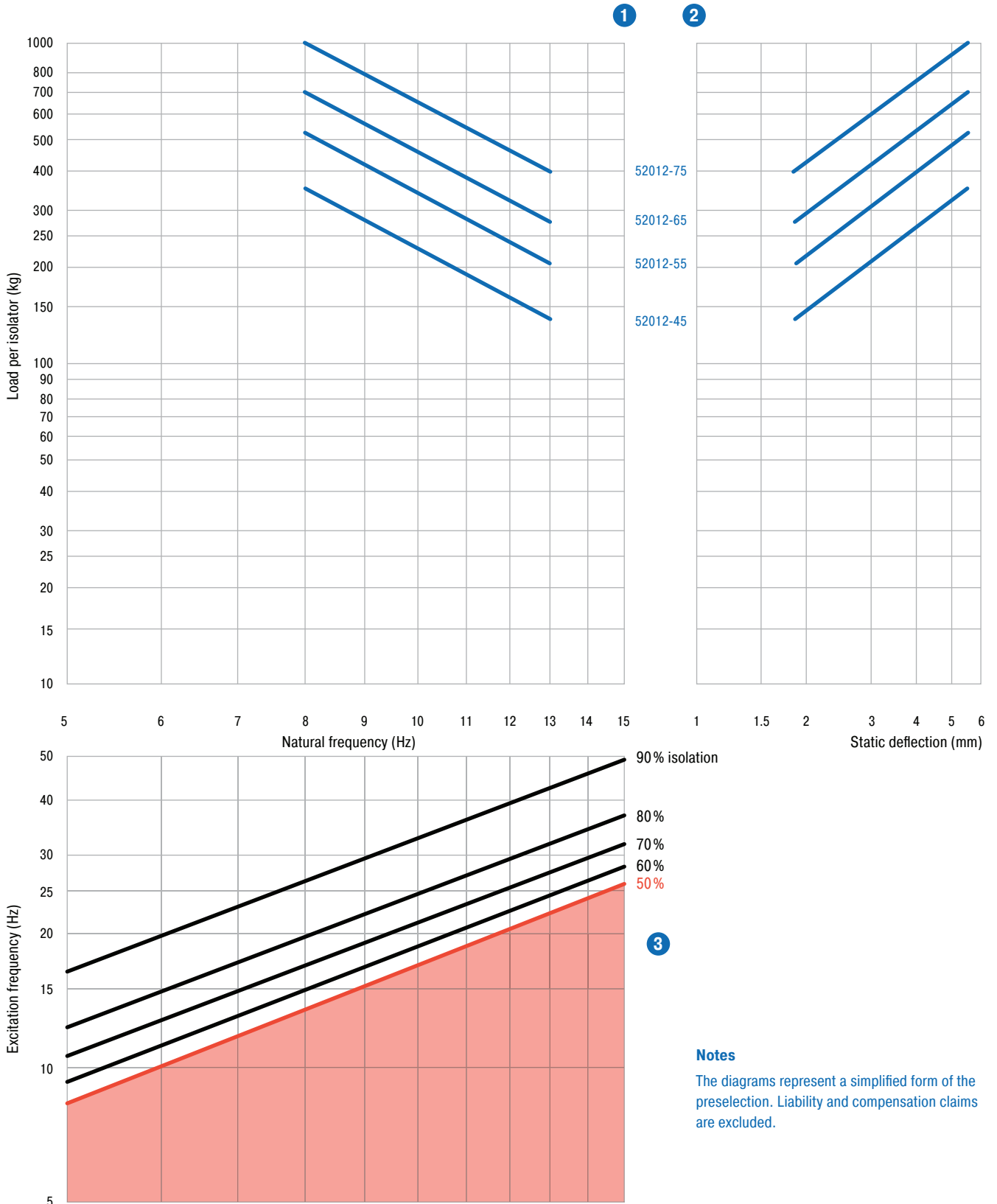
3

**Notes**

The diagrams represent a simplified form of the preselection. Liability and compensation claims are excluded.



### SFM-52012



**Notes**

The diagrams represent a simplified form of the preselection. Liability and compensation claims are excluded.