



UMO

Universal Mounts

Universal connection isolators

UMOs (universal mounts) are two-part isolators for connecting machines or plants with bordering components, such as cabins or housings.

The UMOs can be installed in any spatial position and effectively decouple two components from each other. A galvanised metal limiting sleeve is vulcanised into the elastomer cylinders. The UMOs can be used within the wide temperature range of -30 °C to +80 °C.

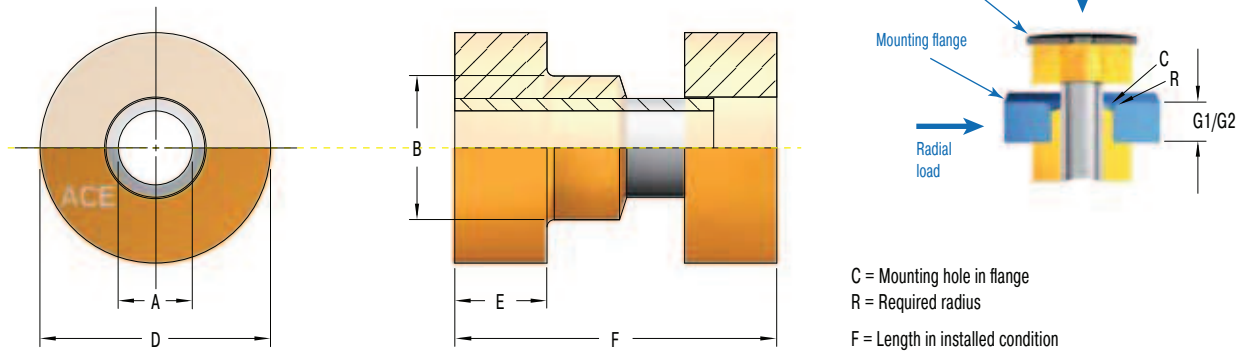
Properties

- Any installation position, all spatial axes and angles
- Simple design
- Fail-safe with the use of stop washers
- Oil, fuel and solvent-resistant neoprene
- Special design in high-damping silicone possible

Areas of application

- Machinery and equipment
- Conveying systems
- Compressors
- Generators
- Shipbuilding
- Construction machines
- Agricultural machines
- Off-road vehicles
- Transport industry

UMO-600xx



| Type | A mm | B mm | C mm | D mm | E mm | F mm | G1 mm | G2 mm | R mm |
|-------------------|---------|---------|---------|---------|---------|---------|----------|----------|---------|
| UMO-60011 - 60015 | 9.9 | 19.8 | 19.0 | 31.8 | 12.7 | 31.8 | 9.4 | | 0.75 |
| UMO-60021 - 60025 | 13.5 | 33.3 | 31.8 | 47.5 | 19.8 | 49.3 | 12.7 | 14.2 | 1.5 |
| UMO-60031 - 60035 | 16.3 | 39.4 | 38.1 | 64.3 | 22.9 | 62.2 | 19.1 | 22.4 | 2.0 |
| UMO-60041 - 60045 | 23.9 | 58.4 | 57.2 | 88.9 | 25.4 | 73.2 | 25.4 | 28.0 | 3.0 |
| UMO-60051 - 60055 | 26.9 | 64.8 | 63.5 | 124.0 | 31.8 | 85.9 | 25.4 | 28.4 | 3.0 |

| Type | Colour code* | Shore (+5) | Load with plate thickness G1 | | | | Load with plate thickness G2 | | | |
|-----------|--------------|------------|------------------------------|--------------|----------|----------|------------------------------|--------------|----------|----------|
| | | | axial kg | radial kg | fe Hz | T1 Nm | axial kg | radial kg | fe Hz | T2 Nm |
| UMO-60011 | yellow | 35 | 20 | 10 | 15 | 10 | | | | |
| UMO-60012 | red | 45 | 40 | 15 | 15 | 10 | | | | |
| UMO-60013 | green | 55 | 65 | 20 | 15 | 10 | | | | |
| UMO-60014 | blue | 65 | 115 | 25 | 15 | 10 | | | | |
| UMO-60015 | white | 75 | 140 | 30 | 15 | 10 | | | | |
| UMO-60021 | yellow | 35 | 30 | 20 | 15 | 13 | 60 | 25 | 12 | 14 |
| UMO-60022 | red | 45 | 55 | 40 | 15 | 13 | 80 | 30 | 12 | 14 |
| UMO-60023 | green | 55 | 75 | 60 | 15 | 13 | 110 | 40 | 12 | 14 |
| UMO-60024 | blue | 65 | 120 | 80 | 15 | 13 | 175 | 75 | 12 | 14 |
| UMO-60025 | white | 75 | 175 | 130 | 15 | 13 | 285 | 125 | 12 | 14 |
| UMO-60031 | yellow | 35 | 40 | 30 | 15 | 19 | 95 | 40 | 11 | 22 |
| UMO-60032 | red | 45 | 70 | 50 | 15 | 19 | 160 | 65 | 11 | 22 |
| UMO-60033 | green | 55 | 105 | 75 | 15 | 19 | 220 | 100 | 11 | 22 |
| UMO-60034 | blue | 65 | 150 | 110 | 15 | 19 | 390 | 175 | 11 | 22 |
| UMO-60035 | white | 75 | 230 | 165 | 15 | 19 | 600 | 315 | 11 | 22 |
| UMO-60041 | yellow | 35 | 70 | 50 | 15 | 25 | 125 | 60 | 10 | 28.6 |
| UMO-60042 | red | 45 | 100 | 100 | 15 | 25 | 230 | 105 | 10 | 28.6 |
| UMO-60043 | green | 55 | 140 | 140 | 15 | 25 | 350 | 155 | 10 | 28.6 |
| UMO-60044 | blue | 65 | 180 | 180 | 15 | 25 | 530 | 265 | 10 | 28.6 |
| UMO-60045 | white | 75 | 265 | 265 | 15 | 25 | 950 | 440 | 10 | 28.6 |
| UMO-60051 | yellow | 35 | 70 | 70 | 15 | 25 | 515 | 110 | 10 | 32 |
| UMO-60052 | red | 45 | 100 | 100 | 15 | 25 | 875 | 155 | 10 | 32 |
| UMO-60053 | green | 55 | 140 | 140 | 15 | 25 | 1170 | 275 | 10 | 32 |
| UMO-60054 | blue | 65 | 215 | 215 | 15 | 25 | 1600 | 400 | 10 | 32 |
| UMO-60055 | white | 75 | 300 | 300 | 15 | 25 | 2065 | 640 | 10 | 32 |

* The colour code is for identifying the loading capacity. The products are marked in colour accordingly.