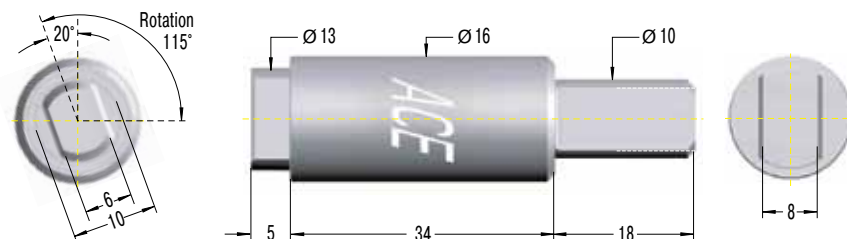


### FYN-U1



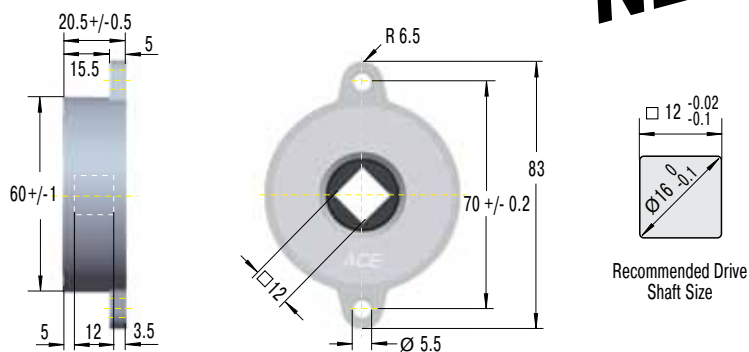
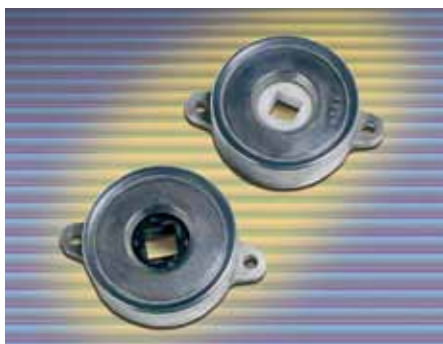
#### Technical Data

**Weight:** 0.04 kg  
**Material:** Zinc die-cast  
**Max. rotation angle:** 115 °  
**Operating temperature range:** -5 °C to 50 °C

Do not use damper as final end stop. Fit external mechanical stops at each end of travel.

Right-Hand Damping (clockwise)	Left-Hand Damping (anti-clockwise)	Damping Torque Ncm	Return Damping Torque Ncm
FYN-U1-R203	FYN-U1-L203	200	40
FYN-U1-R253	FYN-U1-L253	250	40
FYN-U1-R303	FYN-U1-L303	300	80

### FYN-S1



#### Technical Data

**Weight:** 0.22 kg  
**Material:** Zinc die-cast.  
 Output shaft sleeve: Plastic  
**Max. rotation angle:** 130 °  
**Return damping torque:** 1.5 Nm  
**Operating temperature range:** -5 °C to 50 °C

Do not use damper as final end stop. Fit external mechanical stops at each end of travel.

Right-Hand Damping (clockwise)	Self-Compensating Damping Torque Nm	Left-Hand Damping (anti-clockwise)	Self-Compensating Damping Torque Nm
FYN-S1-R104	5 - 10	FYN-S1-L104	5 - 10

# NEW

*"Self-Compensating – constant motion with different masses!"*

