

旋钮

七角旋钮·抗老化



大量订购
bulk order

■ 七角旋钮·抗老化



| ① 代号 | 类型 | 握柄部 | | 螺纹部 | |
|--------|-----|------|-----------|---------|--------|
| | | ④ 材质 | ④ 材质 | ⑤ 表面处理 | ⑤ 表面处理 |
| TKGPWA | 抗老化 | 外螺纹型 | PA6(黑色亚光) | SUS304 | - |
| TKGPWB | | | PA6 | SWCH10R | 镀锌 |
| TKGPWC | | | PA6 | 1215MS | |
| TKGPNA | | 内螺纹型 | PA6(黑色亚光) | 黄铜 | - |
| TKGPNB | | | PF | 1215MS | 镀锌 |
| TKGPNC | | | PA6 | 黄铜 | - |
| TKGPND | | | | | |
| TKGPNE | | | | | |

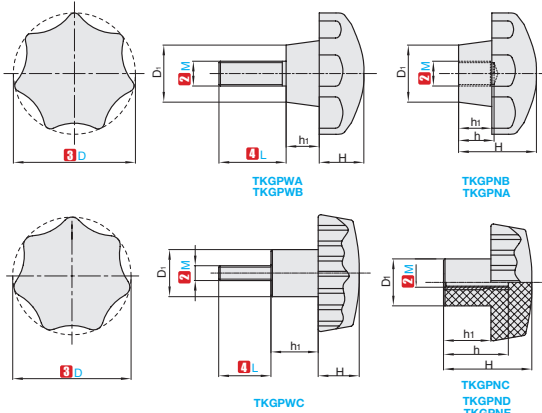
▲ TKGPND选择M5、M6并且D=25时，其配件的材质为黄铜

订购编号示例

| | | | | |
|--------|---|-----|---|-----|
| ① 代号 | - | ② M | - | ③ D |
| TKGPNB | - | M5 | - | D25 |

订购编号示例

| | | | | | | |
|--------|---|-----|---|-----|---|-----|
| ① 代号 | - | ② M | - | ③ D | - | ④ L |
| TKGPWA | - | M5 | - | D25 | - | L10 |



视角标准：第一视角

■ 外螺纹型

| 型号 | | ③ D | ④ L (仅适用于 TKGPWA、TKGPWB) | L | D ₁ | H | h ₁ | 参考重量 (kg/pcs) |
|------------------|-----|-----|--------------------------|----|----------------|----|----------------|---------------|
| ① 代号 | ② M | | | | | | | |
| TKGPWA TKGPWB | 5 | 25 | 10 15 20 25 30 | - | 12 | 16 | 8 | 0.009 |
| | 6 | 32 | 10 16 20 25 30 | | 14 | 20 | 10 | 0.013 |
| | 8 | 40 | 16 20 25 30 40 50 55 | | 18 | 25 | 13 | 0.036 |
| | 10 | 50 | 25 30 40 45 55 | | 22 | 32 | 17 | 0.064 |
| | 12 | 63 | 30 40 50 | | 26 | 40 | 21 | 0.111 |
| TKGPWC | 5 | 25 | - | 10 | 12 | 16 | 8 | 0.01 |
| | 6 | 25 | | 35 | 12 | 16 | 8 | |
| | | 32 | | 14 | 14 | 23 | 10 | |
| | | 32 | | 15 | 14 | 20 | 10 | |
| | 8 | 40 | | 25 | 18 | 25 | 13 | 0.02 |
| | | 50 | | 18 | 22 | 32 | 17 | |
| | | 10 | | 50 | 20 | 22 | 32 | 17 |
| | | | | 63 | 50 | 26 | 39 | 21 |

■ 内螺纹型

| 型号 | | ③ D | D ₁ | H | h | h ₁ | 参考重量 (kg/pcs) |
|----------------------------|-----|-----|----------------|----|-----|----------------|---------------|
| ① 代号 | ② M | | | | | | |
| TKGPNB TKGPNA | 5 | 25 | 12 | 16 | 9.5 | 8 | 0.005 |
| | 6 | 32 | 14 | 20 | 12 | 10 | 0.008 |
| | 8 | 40 | 18 | 25 | 14 | 13 | 0.014 |
| | 10 | 50 | 22 | 32 | 18 | 17 | 0.035 |
| | 12 | 63 | 26 | 40 | 22 | 21 | 0.049 |
| TKGPNC TKGPND TKGPNE | 6 | 25 | 15 | 20 | 12 | 9 | 0.01 |
| | 8 | 32 | 18 | 26 | 16 | 13 | 0.02 |
| | | 40 | 18 | 28 | 18 | 13 | 0.03 |
| | 10 | 50 | 29 | 32 | 25 | 15 | 0.06 |
| | | 63 | 31 | 38 | 28 | 18 | 0.15 |
| | 16 | 80 | 36 | 55 | 28 | 28 | 0.17 |
| | | 4 | 25 | 12 | 16 | 6.5 | 8 |
| | 5 | | 32 | 14 | 20 | 9.5 | 10 |
| | 6 | 25 | 12 | 16 | 9.5 | 8 | 0.02 |
| | | 32 | 14 | 20 | 12 | 10 | |
| | | 40 | 18 | 25 | 14 | 13 | |
| | 8 | 50 | 22 | 32 | 18 | 17 | 0.03 |
| | | 63 | 26 | 39 | 22 | 21 | |
| | | 10 | 50 | 22 | 32 | 18 | |
| | 12 | 63 | 26 | 39 | 22 | 21 | 0.08 |

G1
门把手/合页/手柄/手轮