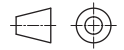
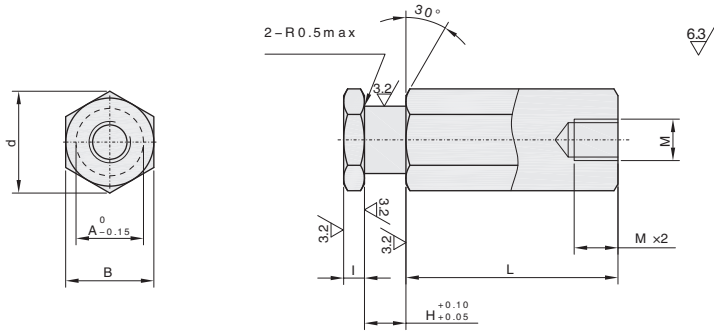




CAD  
2D/3D

标准加工图

| ①代号    | 类型            | M材质 |      | S表面处理 | 表面H硬度  |
|--------|---------------|-----|------|-------|--------|
|        |               | 国标  | 相当   |       |        |
| FNCIEA | 加长杆内螺纹 H尺寸固定型 | 45  | S45C | 镀硬铬   | 750HV~ |



视角标准：第一视角



①代号 - ②M - 螺距 - ③L  
FNCIEA - M8 - 1.25 - 25

| ①代号    | ②M  | 螺距   | ③L |    |    |    |    |    |    |    | H  | I  | A  | B  | d   |      |    |      |    |      |
|--------|-----|------|----|----|----|----|----|----|----|----|----|----|----|----|-----|------|----|------|----|------|
| FNCIEA | 3   | 0.5  | 10 | 12 | 15 | 18 | 20 | 25 | 30 |    |    |    | 4  | 6  | 6.9 |      |    |      |    |      |
|        | 4   | 0.7  |    | 12 | 15 | 18 | 20 | 25 | 30 | 40 | 4  | 3  | 6  | 8  | 9.2 |      |    |      |    |      |
|        | 5   | 0.8  |    |    | 15 | 18 | 20 | 25 | 30 | 40 | 50 |    |    |    |     |      |    |      |    |      |
|        | 6   | 1    |    |    |    | 18 | 20 | 25 | 30 | 40 | 50 | 60 |    | 7  | 10  | 11.5 |    |      |    |      |
|        | 8   | 1    |    |    |    |    | 20 | 25 | 30 | 40 | 50 | 60 | 70 |    |     |      |    |      |    |      |
|        |     | 1.25 |    |    |    |    |    | 25 | 30 | 40 | 50 | 60 | 70 | 80 | 6   | 10   | 14 | 16.2 |    |      |
|        | 10  | 1.25 |    |    |    |    |    | 25 | 30 | 40 | 50 | 60 | 70 | 80 |     |      |    |      |    |      |
|        |     | 1.5  |    |    |    |    |    |    | 30 | 40 | 50 | 60 | 70 | 80 | 90  | 8    | 4  | 13   | 17 | 19.6 |
|        | 12  | 1.25 |    |    |    |    |    |    | 30 | 40 | 50 | 60 | 70 | 80 | 90  |      |    |      |    |      |
|        |     | 1.5  |    |    |    |    |    |    |    | 40 | 50 | 60 | 70 | 80 | 90  | 100  |    |      | 16 | 21   |
| 14     | 1.5 |      |    |    |    |    |    |    | 40 | 50 | 60 | 70 | 80 | 90 | 100 |      |    | 18   | 23 | 26.6 |
| 18     | 1.5 |      |    |    |    |    |    |    |    |    | 60 | 70 | 80 | 90 | 100 | 12   |    | 21   | 26 | 30   |