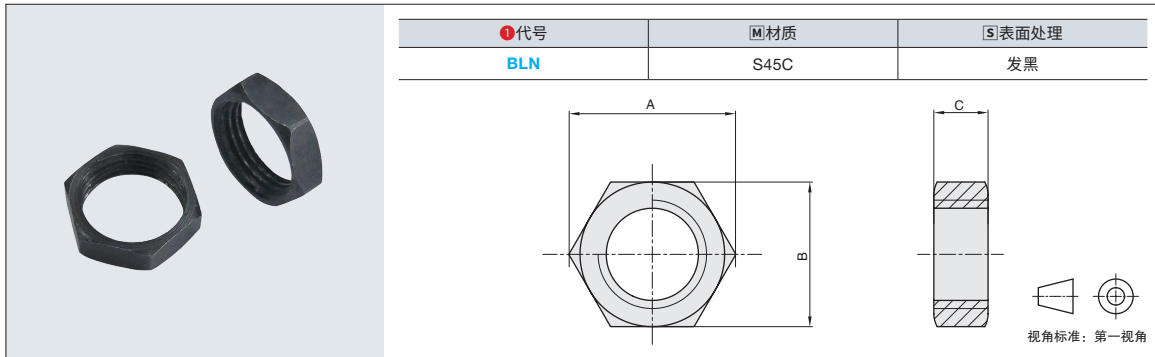


辅助配件

锁紧螺母



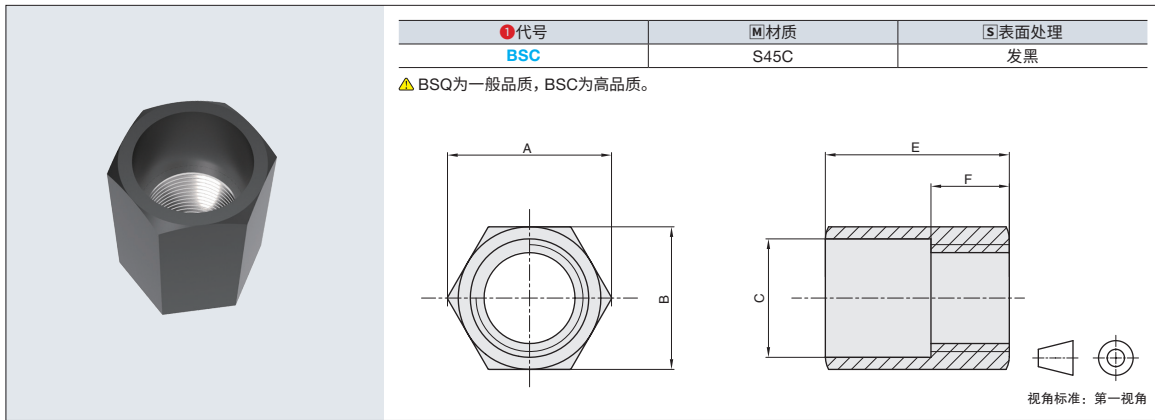
| ①代号 | ②材质 | ③表面处理 |
|-----|------|-------|
| BLN | S45C | 发黑 |



①代号 - ②M
BLN - M6

| ①代号 | ②M | A | B | C | 螺距 |
|-----|------|------|------|----|--------|
| BLN | M6 | 9.2 | 8 | 3 | Mx0.75 |
| | M8 | 12 | 11 | 4 | Mx1.0 |
| | M10 | 15 | 14 | 4 | Mx1.0 |
| | M12 | 18.5 | 17 | 4 | Mx1.0 |
| | M14 | 20.5 | 19 | 6 | Mx1.0 |
| | M14F | 20.5 | 19 | 6 | M1x1.5 |
| | M16 | 20.5 | 19 | 6 | Mx1.5 |
| | M20 | 28 | 25.8 | 8 | M2x1.5 |
| | M25 | 38.5 | 36 | 10 | Mx1.5 |
| | M27 | 38.5 | 36 | 10 | Mx1.5 |
| | M27F | 38.5 | 36 | 10 | Mx3.0 |
| | M30 | 44.8 | 41 | 10 | Mx1.5 |
| | M33 | 44.8 | 41 | 10 | Mx1.5 |
| | M36 | 49.5 | 46 | 10 | Mx1.5 |

限位套筒



| ①代号 | ②材质 | ③表面处理 |
|-----|------|-------|
| BSC | S45C | 发黑 |

▲ BSC为一般品质, BSC为高品质。



①代号 - ②M
BSC - M6

| ①代号 | ②M | A | B | C | E | F | 螺距 |
|-----|------|------|-----|------|----|----|--------|
| BSC | M6 | 10 | 8.5 | - | 12 | 12 | Mx0.75 |
| | M8 | 13.9 | 12 | - | 14 | 14 | Mx1.0 |
| | M10 | 16.2 | 14 | - | 19 | 19 | Mx1.0 |
| | M12 | 19.6 | 17 | 11 | 21 | 21 | Mx1.0 |
| | M14F | 22 | 19 | 14 | 26 | 10 | Mx1.0 |
| | M14 | 22 | 19 | 14 | 26 | 10 | Mx1.5 |
| | M16 | 22 | 19 | 16.5 | 26 | 10 | Mx1.5 |
| | M20 | 27.7 | 24 | 20.5 | 33 | 21 | Mx1.5 |
| | M25 | 37 | 32 | 25.5 | 45 | 30 | Mx1.5 |
| | M27F | 37 | 32 | 27.5 | 45 | 32 | Mx1.5 |
| | M27 | 37 | 32 | 27.5 | 45 | 32 | Mx3.0 |