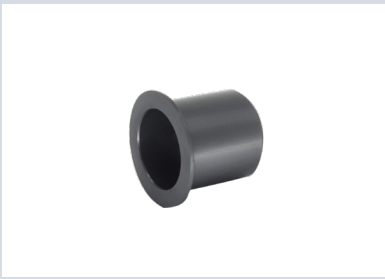


聚缩醛树脂 肩型



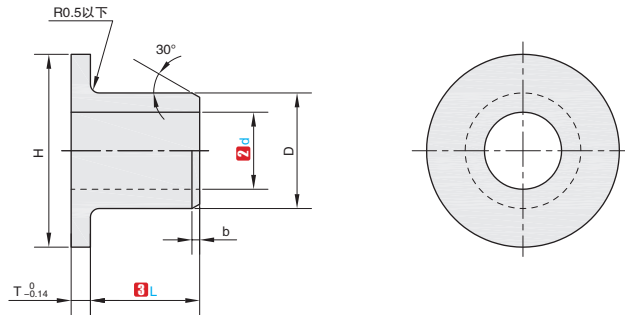
大批量
订购
bulk order

■肩型



| | | |
|-------|---------------------|----------------|
| ①代号 | ☐材质 | 使用温度范围 (°C) |
| OFEFZ | 聚缩醛树脂 含润滑剂与特殊填充剂 | -40~80 |

产品特点: 主体 ☐ 材质是聚缩醛树脂, 刚度高, 耐磨性好, 可用于食品行业。与标准型相比, 公差范围大, 如更需要高精度, 请选用标准型。



订购编号示例

①代号 - ② d - ③ L
OFEFZ - d12 - L15

| 型号 | | ③ L | | | | | | | | | | D | H | T | 倒角 b | | | | | | | | | | | |
|-------|-----|------------------|------|------|-----|-----|----|----|----|----|----|----|----|----|---------|-----|------|-----|----|----|--|----|----|--|----|----|
| ① 代号 | ② d | | | | | | | | | | | | | | | | | | | | | | | | | |
| OFEFZ | 3 | +0.054 +0.014 | 2.25 | 4.25 | | | | | | | | | | | 4.5 | 7.5 | 0.75 | 0.3 | | | | | | | | |
| | 4 | | 2.25 | 5.25 | | | | | | | | | | | 5.5 | 9.5 | | | | | | | | | | |
| | 5 | +0.068 +0.020 | 3 | 4 | | | | | | | | | | | 7 | 11 | | | | | | | | | | |
| | 6 | | 3 | 4 | 5 | 7 | 9 | | | | | | | | | | | | 8 | 12 | | | | | | |
| | 8 | +0.083 | 4.5 | 5 | 6.5 | 8.5 | 9 | 11 | | | | | | | | | | | 10 | 15 | | | | | | |
| | 10 | +0.025 | 4 | 5 | 6 | 7 | 8 | 9 | 11 | 14 | 16 | | | | | | | | | | | 12 | 18 | | | |
| | 12 | | 3 | 4 | 5 | 6 | 8 | 9 | 11 | 12 | 14 | 16 | 17 | 19 | | | | | | | | | | | 14 | 20 |
| | 14 | | 4.2 | 7 | 9 | 11 | 16 | | | | | | | | | | | 16 | 22 | | | | | | | |
| | 15 | +0.102 | 8 | 11 | 14 | 16 | 19 | 24 | | | | | | | | | | | 17 | 23 | | | | | | |
| | 16 | +0.032 | 11 | 16 | | | | | | | | | | | 18 | 24 | | | | | | | | | | |
| | 18 | | 11 | 16 | 19 | | | | | | | | | | | 20 | 26 | | | | | | | | | |
| | 20 | | 10 | 15 | 20 | | | | | | | | | | | 23 | 30 | | | | | | | | | |
| | 22 | +0.124 | 10 | | | | | | | | | | | 25 | 33 | | | | | | | | | | | |
| | 25 | +0.040 | 10 | 15 | 20 | | | | | | | | | | | 28 | 35 | | | | | | | | | |
| | 30 | | 7 | 14 | 24 | 30 | 35 | | | | | | | | | | | 34 | 42 | | | | | | | |
| | 35 | | 14 | 24 | | | | | | | | | | | 39 | 47 | | | | | | | | | | |
| | 40 | +0.150 | 28 | 38 | | | | | | | | | | | 44 | 52 | | | | | | | | | | |
| | 45 | +0.050 | 23 | 43 | 48 | | | | | | | | | | | 50 | 58 | | | | | | | | | |
| 50 | | 18 | 28 | 38 | 48 | | | | | | | | | | | 55 | 63 | | | | | | | | | |

△ d 公差为压入标准 H7 座孔 (ISO3547-1) 后公差。



交货期
5 工作日



1~9
100%
10~
现询

B2
无油衬套