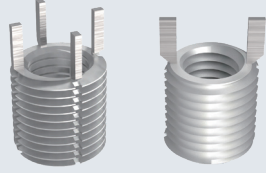


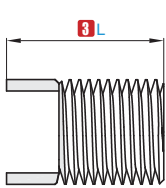
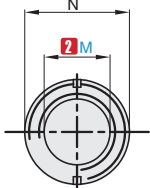
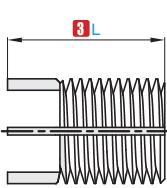
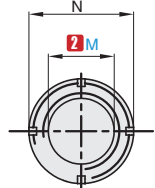
# 螺纹套

★ 产品特点: 不锈钢材质, 多种尺寸供选择



| ①代号   | 类型  | ④材质    | ⑤表面处理 |
|-------|-----|--------|-------|
| LWCAB | 薄壁型 | SUS303 | 无     |
| LWCB  |     |        |       |
| LWCAC |     |        |       |
| LWCBC | 重型  |        |       |

▲ 符合ASME/ANSI B18.27.4-7-2017标准

视角标准: 第一视角

①代号 - ②M(内螺纹) - ③L  
 LWCAB - M3 - L4.25

订购编号示例

| ①代号              | ②M(内螺纹) | ③L   | 内螺纹螺距 | N(外螺纹) | 外螺纹螺距 | 参考钻孔直径 | 底孔深度 |
|------------------|---------|------|-------|--------|-------|--------|------|
| (粗牙薄壁型)<br>LWCAB | 3       | 4.25 | 0.5   | 5      | 0.8   | 4.4    | 5.5  |
|                  | 4       | 5.25 | 0.7   | 6      | 0.75  | 5.5    | 6.5  |
|                  | 5       | 8    | 0.8   | 8      | 1.25  | 6.9    | 9.5  |
|                  | 6       | 10   | 1     | 10     | 1.25  | 8.8    | 11.5 |
|                  | 8       | 12   | 1.25  | 12     | 1.25  | 10.8   | 13.5 |
|                  | 10      | 14   | 1.5   | 14     | 1.5   | 12.8   | 15.5 |
| (细牙薄壁型)<br>LWCB  | 12      | 16   | 1.75  | 16     | 1.5   | 14.75  | 17.5 |
|                  | 8       | 12   | 1     | 12     | 1.25  | 10.8   | 13.5 |
|                  | M10     | 14   | 1.25  | 14     | 1.5   | 12.8   | 15.5 |
| (粗牙重型)<br>LWCAC  | M12     | 16   | 1.25  | 16     | 1.5   | 14.75  | 17.5 |
|                  | M4      | 8    | 0.7   | 8      | 1.25  | 6.9    | 9.5  |
|                  | M5      | 10   | 0.8   | 10     | 1.25  | 8.8    | 12.5 |
|                  | M6      | 12   | 1     | 12     | 1.25  | 10.8   | 14.5 |
|                  | M8      | 14   | 1.25  | 14     | 1.5   | 12.8   | 16.5 |
|                  | M8      | 14   | 1     | 14     | 1.5   | 12.8   | 16.5 |
|                  | M10     | 16   | 1.5   | 16     | 1.5   | 14.75  | 18.5 |
|                  | M12     | 18   | 1.75  | 18     | 1.5   | 16.75  | 20.5 |
|                  | M14     | 20   | 2     | 20     | 1.5   | 18.75  | 22.5 |
|                  | M16     | 22   | 2     | 22     | 1.5   | 20.5   | 24.5 |
| (细牙重型)<br>LWCBC  | M18     | 24   | 1.5   | 24     | 1.5   | 22.5   | 26.5 |
|                  | M20     | 30   | 2.5   | 30     | 2     | 28     | 34.5 |
|                  | M10     | 16   | 1.25  | 16     | 1.5   | 14.75  | 18.5 |
|                  | M12     | 18   | 1.25  | 18     | 1.5   | 16.75  | 20.5 |
|                  | M14     | 20   | 1.5   | 20     | 1.5   | 18.75  | 22.5 |
|                  | M16     | 22   | 1.5   | 22     | 1.5   | 20.5   | 24.5 |
| M20              | 30      | 1.5  | 30    | 2      | 28    | 34.5   |      |

K1  
平键 挡圈 开口销  
圆柱销 油嘴