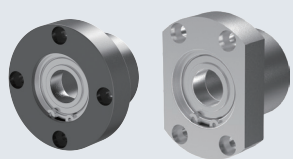


法兰型轴承座组件



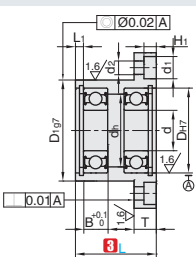
★ 产品特点：可以1mm为单位指定固定座长度(L尺寸)。



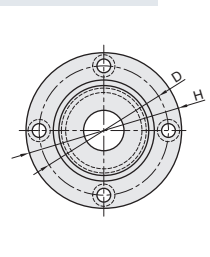
| ①代号 | | | M材质 | | S表面处理 | A附件 |
|----------|---------|---------|-----|--------|-------------------|-----|
| 圆型 | 方型 | 对边切割型 | 轴承 | 固定座 | 固定座 | 挡圈 |
| HAFBERK | HAFBETK | HAFBECK | 钢 | 一般结构用钢 | 四氧化三铁保护膜 无电解镀锌 | 弹簧钢 |
| HAFEERK | HAFEETK | HAFEECK | | | | |
| HAFCKERK | - | HAFCECK | | | | |
| HAFGERK | - | HAFGECK | 不锈钢 | 铝合金 | 本色阳极氧化 | 不锈钢 |
| HAFNERK | HAFNETK | HAFNECK | | | | |

标准加工 按图定制

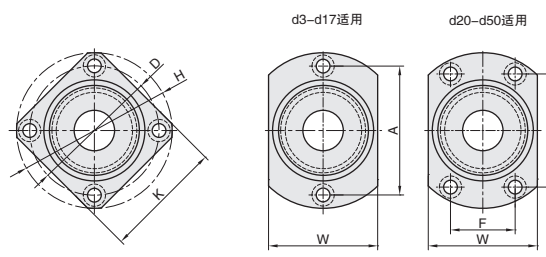
▲ 如果对防锈性能有要求，请优先选用无电解镀锌表面处理、铝合金材质和不锈钢材质产品。
 ▲ 由于产品批次不同，发货带表面处理产品可能存在色差，不影响尺寸及功能。
 ▲ 固定座一般结构用钢和不锈钢材质带有防锈油。



圆型



方型



对边切割型

d3-d17适用 d20-d50通用 其余^{6.3}/_√

视角标准：第一视角



①代号 - ②轴承型号 - ③长度L
HAFBERK - 6900ZZ - L25

C3 轴承座组件

| ①代号 | ②轴承型号 | ③长度L 指定单位1mm | d | D _{H7} | H7公差 | D _{sp} | g7公差 | H | d _h | T | L _i | B | D | K | A | W | F | d ₁ | H ₁ | d ₂ |
|--------|--------|-----------------|-------------|-----------------|------------------|------------------|--------|-----|----------------|------|----------------|------|-----|-----|-----|-----|------|----------------|----------------|----------------|
| (圆型) | 623ZZ | 20~40 | 3 | 10 | +0.015 0 | 14 | -0.006 | 33 | 7 | 7 | 2.65 | 4 | 24 | 27 | 24 | 16 | | 6.5 | 3.1 | 3.5 |
| | 624ZZ | | 4 | 13 | 17 | -0.024 | 35 | 9 | | | 2.65 | 5 | 26 | 28 | 26 | 18 | | | | |
| | 605ZZ | | 5 | 16 | +0.018 0 | 18 | | 36 | 10 | | | 2.65 | 5 | 26 | 30 | 26 | 20 | | | |
| | 625ZZ | 25~50 | 6 | 16 | 20 | | 38 | 12 | | | 2.65 | 5 | 28 | 31 | 28 | 22 | | | | |
| | 606ZZ | | 17 | 21 | | | 39 | 13 | | | 2.65 | 6 | 29 | 32 | 29 | 23 | | | | |
| | 626ZZ | | 19 | 24 | | | 41 | 15 | | | 2.65 | 6 | 31 | 34 | 31 | 25 | | | | |
| | 698ZZ | 25~50 | 8 | 19 | 24 | -0.007 | 41 | 15 | | | 2.65 | 6 | 31 | 34 | 31 | 25 | | | | |
| | 608ZZ | | 22 | 27 | -0.028 | 45 | 18 | | | 2.65 | 7 | 35 | 36 | 35 | 29 | | | | | |
| | 628ZZ | | 24 | 30 | | | 47 | 20 | | | 2.85 | 8 | 37 | 37 | 37 | 32 | | | | |
| | 6800ZZ | 20~40 | 10 | 19 | +0.021 0 | 24 | | 41 | 15 | | 2.65 | 5 | 31 | 34 | 31 | 25 | | | | |
| | 6900ZZ | | 22 | 27 | | | 45 | 19 | | | 2.65 | 6 | 35 | 36 | 35 | 29 | | | | |
| | 6000ZZ | | 25~60 | 26 | 32 | -0.009 | 50 | 22 | | | 2.85 | 8 | 40 | 39 | 40 | 34 | | | | |
| 6200ZZ | 25~50 | 30 | 30 | -0.034 | 54 | 24 | | | 2.85 | 9 | 44 | 42 | 44 | 38 | | | | | | |
| 6801ZZ | | 21 | 26 | -0.007 | 44 | 17 | | | 2.85 | 5 | 34 | 35 | 34 | 29 | | | | | | |
| 6901ZZ | | 25~60 | 24 | 30 | -0.028 | 48 | 21 | | | 2.85 | 6 | 38 | 38 | 38 | 31 | | | | | |
| 6001ZZ | 30~70 | 12 | 28 | | 34 | -0.009 | 52 | 24 | | 2.85 | 8 | 42 | 40 | 42 | 36 | | | | | |
| 6201ZZ | | 32 | +0.025 0 | 38 | -0.034 | 56 | 26 | | | 2.85 | 10 | 46 | 43 | 46 | 40 | | | | | |
| 6802ZZ | | 25~60 | 24 | +0.021 0 | 30 | -0.007 -0.028 | 47 | 20 | | | 2.85 | 5 | 37 | 37 | 37 | 32 | | | | |
| 6902ZZ | 30~70 | 15 | 28 | | 35 | | 57 | 25 | | 2.85 | 7 | 45 | 45 | 45 | 37 | | | | | |
| 6002ZZ | | 32 | +0.025 0 | 38 | | 60 | 28 | | | 2.85 | 9 | 48 | 46 | 48 | 40 | | | | | |
| 6202ZZ | | 35~70 | 35 | 0 | 42 | | 64 | 29 | | | 3.75 | 11 | 52 | 49 | 52 | 44 | | | | |
| 6903ZZ | 35~70 | 17 | 30 | +0.021 0 | 36 | | 60 | 27 | 10 | 2.85 | 7 | 48 | 46 | 48 | 38 | | | | | |
| 6003ZZ | | 35 | | 42 | -0.009 -0.034 | 66 | 31 | | | 3.75 | 10 | 54 | 50 | 54 | 44 | | | | | |
| 6203ZZ | | 40 | | 48 | | 72 | 34 | | | 3.95 | 12 | 60 | 54 | 60 | 50 | | | | | |
| 6804ZZ | 35~70 | 20 | 32 | | 38 | | 60 | 26 | | 3.75 | 7 | 48 | 46 | 38 | 40 | 29 | | | | |
| 6904ZZ | | 37 | | 45 | | 69 | 34 | | | 3.75 | 9 | 56 | 54 | 51 | 47 | 24 | | | | |
| 6004ZZ | | 42 | +0.015 0 | 50 | | 77 | 36 | | | 3.95 | 12 | 64 | 59 | 56 | 54 | 32 | | | | |
| 6204ZZ | 45~80 | 25 | 47 | | 54 | -0.010 -0.040 | 81 | 40 | 11 | 3.95 | 14 | 68 | 62 | 59 | 58 | 34 | 11 | 6.1 | 6.6 | |
| 6805ZZ | | 37 | | 45 | -0.009 | 69 | 34 | | | 3.75 | 7 | 56 | 54 | 51 | 47 | 24 | | | | |
| 6905ZZ | | 42 | | 50 | -0.034 | 77 | 36 | | | 3.95 | 9 | 64 | 59 | 56 | 54 | 32 | | | | |
| 6005ZZ | 45~80 | 30 | 47 | | 54 | -0.010 -0.040 | 88 | 41 | | 3.95 | 12 | 72 | 67 | 63 | 58 | 36 | | | | |
| 6205ZZ | | 52 | +0.030 0 | 60 | | 94 | 45 | | | 4.2 | 15 | 78 | 72 | 68 | 64 | 39 | 14 | 8.1 | 9 | |
| 6806ZZ | | 35~70 | 42 | +0.025 0 | 50 | -0.009 -0.034 | 77 | 36 | | | 3.95 | 7 | 64 | 59 | 56 | 54 | 32 | 11 | 6.1 | 6.6 |
| 6906ZZ | 45~80 | 30 | 47 | | 54 | | 88 | 41 | | 3.95 | 9 | 72 | 67 | 63 | 58 | 36 | | | | |
| 6006ZZ | | 55 | | 62 | -0.010 | 96 | 48 | | | 4.2 | 13 | 80 | 73 | 70 | 66 | 40 | 14 | 8.1 | 9 | |
| 6206ZZ | | 62 | | 70 | -0.040 | 104 | 55 | | | 4.2 | 16 | 88 | 79 | 77 | 74 | 44 | | | | |
| 6007ZZ | 50~120 | 62 | | 70 | | 104 | 55 | | | 4.2 | 14 | 88 | 79 | 75 | 74 | 44 | | | | |
| 6207ZZ | 55~120 | 35 | 72 | +0.03 0 | 84 | -0.012 -0.047 | 126 | 64 | 20 | 6 | 17 | 105 | 95 | 92 | 88 | 51 | 17.5 | 11 | 11 | |
| 6008ZZ | | 50~120 | 68 | | 78 | -0.010 -0.040 | 114 | 60 | 13 | 5.2 | 15 | 96 | 86 | 80 | 82 | 54 | 14 | 8.1 | 9 | |
| 6208ZZ | | 60~120 | 40 | 80 | | 92 | | 134 | 74 | | 6 | 18 | 113 | 102 | 98 | 96 | 56 | | | |
| 6010ZZ | 80 | | | 92 | -0.012 -0.047 | 134 | 74 | | | 6 | 16 | 113 | - | 98 | 96 | 56 | | | | |
| 6210ZZ | 70~120 | | 50 | 90 | +0.035 0 | 106 | | 147 | 83 | | 7 | 20 | 126 | - | 104 | 110 | 72 | 17.5 | 11 | 11 |

▲ 轴承与挡圈间有间隙，选定请注意。
 ▲ 爱安特不承诺轴承的品牌。