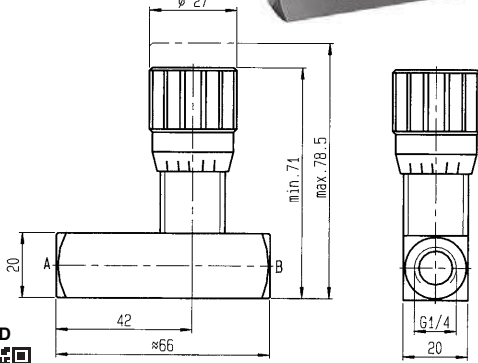
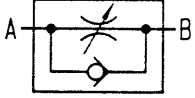


No. 6916-09

Throttle/Check Valve

max. operating pressure 400 bar.



Order no.	Article no.	Q [l/min]	Throttle direction	Ambient temp. [°C]	Aperture pressure [bar]	Weight [g]
62992	6916-09	15	A - B	-20 - +80	0,35	250

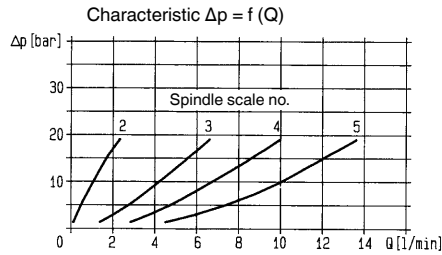
Design:

Housing made of steel, galvanized. Adjusting knob made of AL, ribbed. Needle throttle.

Note:

Easy setting by scaled spindle and adjusting knob.

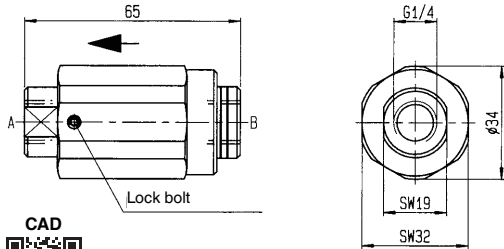
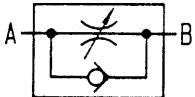
Diagram:



No. 6916-10

Throttle/Check Valve

max. operating pressure 400 bar.



Order no.	Article no.	Q [l/min]	Throttle direction	Ambient temp. [°C]	Aperture pressure [bar]	Weight [g]
63008	6916-10	18	A - B	-30 - +80	3	290

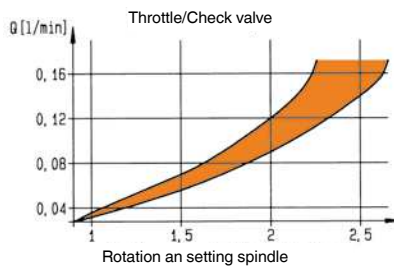
Design:

Housing made of steel, blued. Blued throttle socket.

Note:

A constant flow is achieved by means of the new oil dosing curves as from 0.04 l/min. The valve can be easily adjusted under high pressure.

Diagram:



No. 6916-11

Shut-off valve

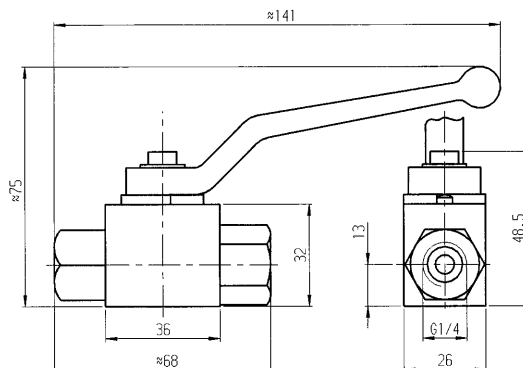
max. operating pressure 500 bar.



Order no.	Article no.	Oilflow bore DN (dia.)	Ambient temp. [°C]	Weight [g]
65326	6916-11	Ø 6	-20 - +100	350

Design:

Housing and functioning components made of steel. Seal of shaft made of NBR.



Subject to technical alterations.