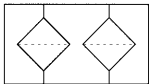


No. 6918F

Filter plate



NEW!



CAD

Order no.	Article no.	max. pressure range [bar]	Filtration [µm]	OR-1 O-ring Order No.	Weight [g]
562093	6918F-100	400	100	466334	65

Design:

Filter plate and filter sleeve made of aluminium, surfaces black anodised. Filter plates made of metal mesh.

Application:

Used to protect the sequential valve 6918-3 and 6918-12 from contamination in clamping devices.

Note:

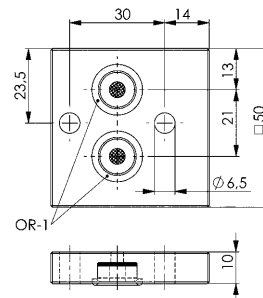
If a finer strainer is required, this can be easily replaced. The finer the filter selected, the greater the flow resistance.

Replacement filter:

Filter, plug-in design 25 µm, order no. 562203

Filter, plug-in design 40 µm, order no. 562204

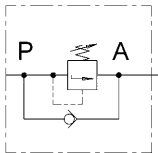
Filter, plug-in design 100 µm, order no. 562205



No. 6918

Sequence Valve

for pipeline connection.
Static overload capacity ~1.5xp max.



Order no.	Article no.	min. operating pressure [bar]	max. operating pressure [bar]	Q [l/min]	Direction of flow	Ambient temp. [°C]	Viscosity [cSt]	Weight [g]
325068	6918-6	8	80	20	P-A	-40 - +80	10-500	750
326306	6918-11	16	160	20	P-A	-40 - +80	10-500	750
60517	6918-2	30	500	20	P-A	-40 - +80	10-500	750

Design:

Steel body, nitrided. Sealing nut galvanized. All functional components hardened and ground. Oil supply via threaded port.

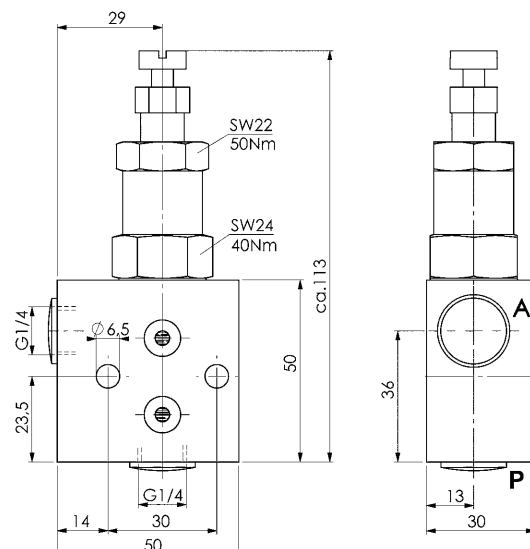
Application:

The pressure sequence valve is used in cases where another consumer is connected to the circuit after a set pressure has been reached. If several sequence valves are employed in the circuit, please note that the pressure in this circuit always adjusts to the last pressure stage.

For this type, the switching pressure remains largely constant, regardless of the outflow pressure on the outlet side (cylinder side).

Note:

For disassembly of the pressure valve please release first SW (AF) 24, then SW 22. For assembly please use reverse sequence and observe max. seating torque. The pressure difference between P and A depends on the preload of the adjustment spring.



Subject to technical alterations.