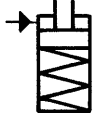


## No. 6927B

### Pull Cylinder, block type

Single acting, with spring return, max. operating pressure 350 bar.



Order no.	Article no.	Pull force at 350 bar		Stoke B [mm]	Vol. pull [cm <sup>3</sup> ]	Piston area pull [cm <sup>2</sup> ]	Weight [g]
		[kN]	[mm]				
68064	6927B-06-1	5,9	25,5	25,5	4,4	1,7	1075
68080	6927B-06-2	5,9	51,0	51,0	8,8	1,7	1433
68106	6927B-18-1	17,5	25,5	25,5	12,7	5,0	1483
68122	6927B-18-2	17,5	51,0	51,0	25,4	5,0	1905

### Design:

Cylinder barrel from steel, hardened and burnished. Piston rod hardened and chrome plated. Piston rod with internal thread. Wiper at piston rod. Oil supply via threaded port.

### Application:

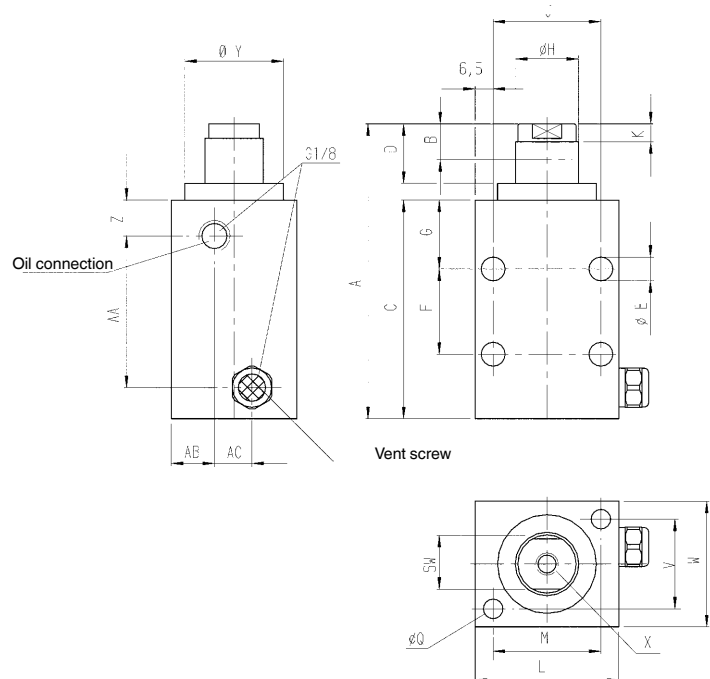
Universal pull cylinder for various applications.

### Features:

Piston rod not guided. Tapped piston rod ends allow the use of custom end attachments. Clamping bars can be attached like the swivel clamps. Cylinder body with longitudinal and crosswise mounting holes.

### Note:

For single acting cylinders there is risk of sucking in coolant through the breather port. In such cases the breather port has to be piped to a clean protected area. The system has to be completely vented during installation.



### Dimensions:

Order no.	Article no.	A	C	D	dia. E	F	G	dia. H	J	K	L	M	dia. Q	SW	V	W	X x depth	dia. Y	Z	AA	AB	AC
68064	6927B-06-1	109,0	69,5	33,5	8,7	-	26,5	20,64	38	6,5	51,0	38	7	17	31,5	44,5	M8x11	35,0	12,5	41	8	14,5
68080	6927B-06-2	163,5	98,5	59,0	8,7	41,3	26,5	20,64	38	6,5	51,0	38	7	17	31,5	44,5	M8x11	35,0	12,5	70	8	14,5
68106	6927B-18-1	111,0	69,5	35,5	8,7	-	26,5	28,58	51	9,0	63,5	48	9	25	35,5	51,0	M12x13	44,5	12,5	41	8	17,5
68122	6927B-18-2	165,0	98,5	61,0	8,7	41,3	26,5	28,58	51	9,0	63,5	48	9	25	35,5	51,0	M12x13	44,5	12,5	70	8	17,5

Subject to technical alterations.