

No. 6929-03

Threaded Cylinder for tube connection, with spherical piston rod

single acting, spring return,
max. operating pressure 500 bar,
min. operating pressure 25 bar.



CAD

Order no.	Article no.	Push force at 100 bar [kN]	Push force at 500 bar [kN]	Vol. [cm ³]	Stroke H [mm]	Piston dia. [mm]	Piston area [cm ²]	Spring force min. [N]	Weight [g]
60111	6929-03x10	0,5	2,5	0,5	10	8	0,5	24	80

Design:

Cylinder barrel from steel, burnished. Piston and piston rod case hardened and ground. Wiper at piston rod, union nut with cutting ring.
Oil supply via threaded port.

Features:

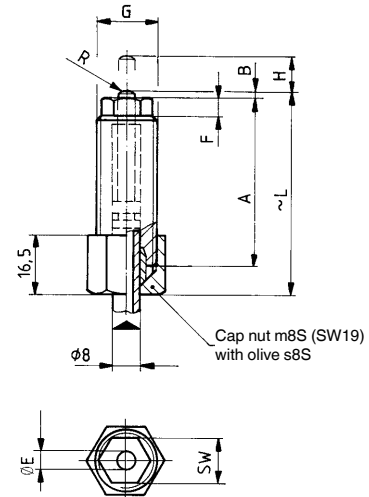
Hoses or tubes can be directly screwed onto the threaded cylinders.

Note:

Pistons of these cylinders must not be loaded in retracted position. Care for protection against aggressive lubricants and coolants. As the cylinder has no stop for the tube, the preassembly of the cutting ring has to be effected by means of a hardened pre-mounting tool. Due to the construction size, an internal stop for the piston is not possible. Therefore, please do not operate the threaded cylinder without workpiece, as the spring could be damaged or its spring force could be reduced.

Dimensions:

Order no.	Article no.	A	B	dia. E	F	G	~L	R	SW
60111	6929-03x10	48	1	5	6	M16x1,5	57	6	13



Application examples:

