

## No. 6936D

### Block Cylinder

double acting,  
max. operating pressure 350 bar.



CAD

Order no.	Article no.	Push force at 100 bar [kN]	Push force at 350 bar [kN]	Pull force at 100 bar [kN]	Pull force at 350 bar [kN]	Stoke B [mm]	Vol. VH [cm <sup>3</sup> ]	Piston area VH [cm <sup>2</sup> ]	Piston area RH [cm <sup>2</sup> ]	Weight [g]
68155	6936D-10-1	2,9	10,1	1,6	5,6	6,5	1,9	2,9	1,6	467
68171	6936D-10-2	2,9	10,1	1,6	5,6	19,0	5,7	2,9	1,6	644
68197	6936D-18-1	5,1	17,8	1,7	6,0	12,5	6,5	5,1	1,7	463
68213	6936D-18-2	5,1	17,8	1,7	6,0	25,5	13,0	5,1	1,7	1030
68239	6936D-18-3	5,1	17,8	1,7	6,0	51,0	26,0	5,1	1,7	1397
68254	6936D-40-1	11,4	39,9	5,0	17,5	12,5	14,5	11,4	5,0	1225
68270	6936D-40-2	11,4	39,9	5,0	17,5	25,5	29,0	11,4	5,0	1447
68296	6936D-40-3	11,4	39,9	5,0	17,5	51,0	58,0	11,4	5,0	1851

VH = work stroke, RH = back stroke

### Design:

Cylinder housing made of steel, hardened and blued. Piston and piston rod with internal thread, case-hardened and ground. Wiper at piston rod prevents from contamination.

### Application:

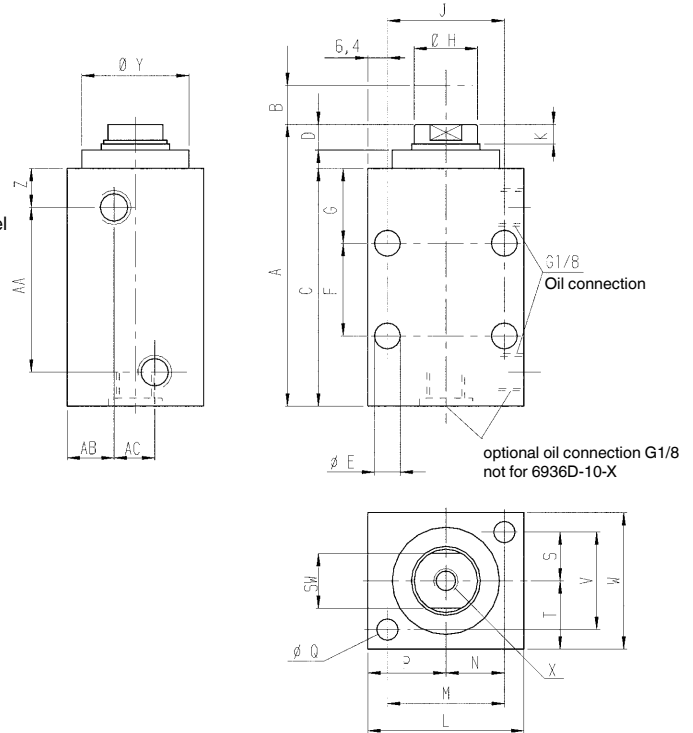
Universal mounting to equipment using mounting holes. Universal element clamping, pressurising, riveting and punching.

### Features:

Different strokes are available for each cylinder size. Every model is furnished with parallel and perpendicular mounting holes. Tapped piston rod ends allow the use of custom end attachments.

### Note:

When placing into operation, ensure that all air is bled from the system. For applications above 100 bar operating pressure, the cylinders must be supported by the cross bores at the cylinder body when fastening. Screws of strength class 12.9 must be used for fastening.



### Dimensions:

Order no.	Article no.	A	C	D	dia. E	F	G	dia. H	J	K	L	M	N	P	dia. Q	S	SW	T	V	W	X x depth	dia. Y	Z	AA	AB	AC
68155	6936D-10-1	60,0	46,5	7,5	7	-	23,5	12,2	33,5	5,5	51,0	33,5	16,5	23,0	7	8,0	11	14,0	16,0	28,5	M6x11	27,0	9,5	28,0	9,5	-
68171	6936D-10-2	79,0	66,0	7,5	7	-	23,5	12,2	33,5	5,5	51,0	33,5	16,5	23,0	7	8,0	11	14,0	16,0	28,5	M6x11	27,0	9,5	47,0	9,5	-
68197	6936D-18-1	71,0	57,0	8,0	9	-	26,5	20,1	38,0	6,5	51,0	38,0	19,0	25,5	7	16,0	17	22,0	32,0	44,5	M8x11	35,0	12,5	28,5	8,0	14,5
68213	6936D-18-2	84,0	69,5	8,0	9	-	26,5	20,1	38,0	6,5	51,0	38,0	19,0	25,5	7	16,0	17	22,0	32,0	44,5	M8x11	35,0	12,5	41,0	8,0	14,5
68239	6936D-18-3	112,5	98,5	8,0	9	41	26,5	20,1	38,0	6,5	51,0	38,0	19,0	25,5	7	16,0	17	22,0	32,0	44,5	M8x11	35,0	12,5	70,0	8,0	14,5
68254	6936D-40-1	73,0	57,0	10,0	9	-	26,5	28,2	51,0	9,0	63,5	48,0	24,0	31,5	9	17,5	25	25,5	35,5	51,0	M12x13	44,5	12,5	28,5	8,0	17,5
68270	6936D-40-2	86,0	69,5	10,0	9	-	26,5	28,2	51,0	9,0	63,5	48,0	24,0	31,5	9	17,5	25	25,5	35,5	51,0	M12x13	44,5	12,5	41,0	8,0	17,5
68296	6936D-40-3	114,5	98,5	10,0	9	41	26,5	28,2	51,0	9,0	63,5	48,0	24,0	31,5	9	17,5	25	25,5	35,5	51,0	M12x13	44,5	12,5	70,0	8,0	17,5

Subject to technical alterations.