

No. 6945-22-06

Spacer Bar



Order no.	Article no.	L x W x H	Weight [g]
61408	6945-22-06	167 x 50 x 44,5	2670

**Design:**

Tempering steel, phosphated. Tolerance of distance between holes  $\pm 0.2$ .

**Application:**

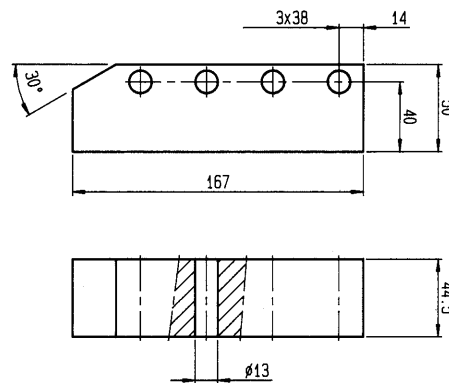
Spacer and guide bar for a clamping-rim or tool-pallet height of 30 mm.

**Note:**

- For clamping bars:
- No. 6945-22-20-1x3
  - No. 6945-22-20-2x4
  - No. 6945-22-20-1x8

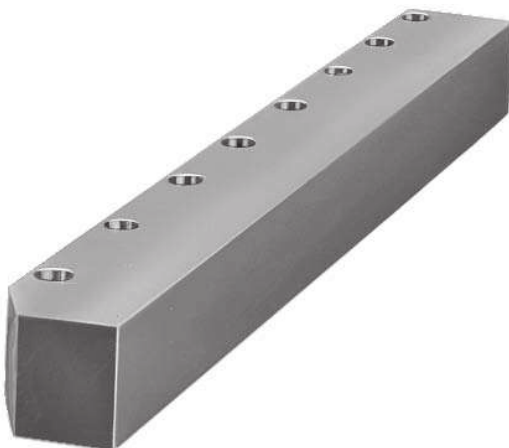
**On request:**

Special sizes available on request.



No. 6945-22-07

Spacer Bar



Order no.	Article no.	L x W x H	Weight [g]
61705	6945-22-07	325 x 50 x 44,5	5800

**Design:**

Tempering steel, phosphated. Tolerance of distance between holes  $\pm 0.2$ .

**Application:**

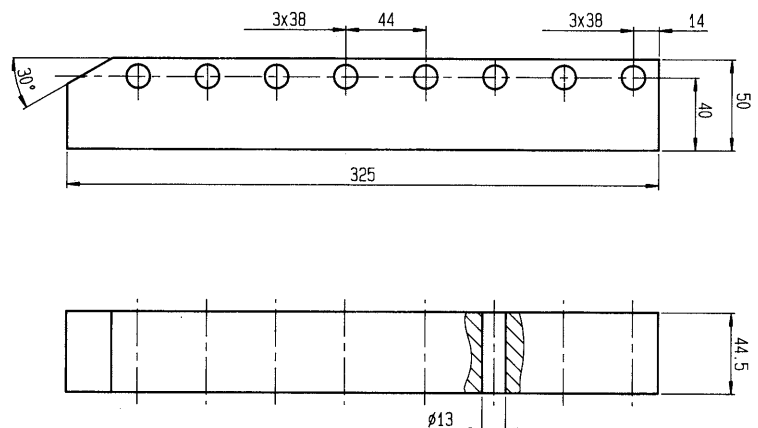
Spacer and guide bar for a clamping-rim or tool-pallet height of 30 mm.

**Note:**

- For clamping bars:
- No. 6945-22-20-1x3
  - No. 6945-22-20-2x3
  - No. 6945-22-20-1x6

**On request:**

Special sizes available on request.



Subject to technical alterations.