

No. 6946

## Wedge clamp

double-acting  
max. operating pressure 350 bar (400 bar\*)



Order no.	Article no.	Clamping force [kN]	max. operating force [kN]	with positioning monitoring	without position monitoring	Weight [Kg]
325134	6946-25-I	25	36	-	●	2,6
325142	6946-25-B	25	36	●	-	2,6
325159	6946-50-L	50	72	-	●	6,1
325167	6946-50-B	50	72	●	-	6,1
325175	6946-100-L	100	145	-	●	11,5
325183	6946-100-B	100	145	●	-	11,5
325191	6946-160-L	160	230	-	●	23,0
325209	6946-160-B	160	230	●	-	23,0

### Design:

Block cylinder housing from steel, burnished. Housing and clamping bolt tempered. Piston rod case hardened and ground. The fastening screws are included in the supply scope resistance 12.9.

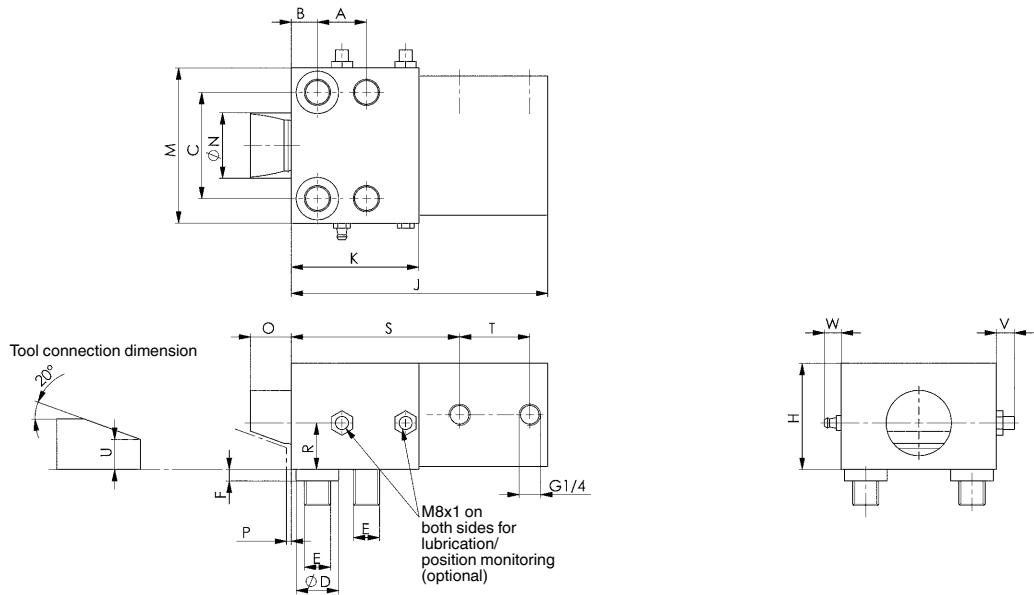
### Application:

Wedge clamps are used for clamping the tools on presses and injection moulding machines. The clamping bolt clamps at a 20° diagonal to the tool, which results in a friction connection.

### Note:

The maximum permitted load per clamp must not be exceeded. The clamping force acts vertically on the clamping point which applies very low sliding forces to the tool.

\* When using fixing screws of 10.9 quality a maximum operating force of 400 bar is permitted. A mounting surface with corresponding thread resistance (at least corresponding to St 50) is required.



### Dimensions:

Order no.	Article no.	A	B	C ±0,02	dia. D H8	E	F	H	J	K	M	dia. N	O	P	R	S	T	U	V	W	Screw (4 pieces)
325134	6946-25-I	24	14	48	18	M12	6	48	122	58	70	30	20	3	21,5	78	33	15	12	11	M12x60
325142	6946-25-B	24	14	48	18	M12	6	48	122	58	70	30	20	3	21,5	78	33	15	12	11	M12x60
325159	6946-50-L	30	16	65	26	M16	7	65	157	78	95	40	25	3	28,5	103	43	18	6	11	M16x70
325167	6946-50-B	30	16	65	26	M16	7	65	157	78	95	40	25	3	28,5	103	43	18	6	11	M16x70
325175	6946-100-L	38	20	85	30	M20	11	80	190	100	120	56	25	3	37,0	127	51	25	16	11	M20x90
325183	6946-100-B	38	20	85	30	M20	11	80	190	100	120	56	25	3	37,0	127	51	25	16	11	M20x90
325191	6946-160-L	50	25	106	35	M24	11	105	222	120	150	70	30	3	49,0	148	57	30	8	11	M24x120
325209	6946-160-B	50	25	106	35	M24	11	105	222	120	150	70	30	3	49,0	148	57	30	8	11	M24x120

Subject to technical alterations.