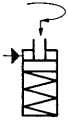


No. 6951G

Swing Clamp, thread-flange-mounting

Single-acting, with spring return,
max. operating pressure 350 bar,
min. operating pressure 52 bar.



Order no.	Article no.	Clamping force at 350 bar Sp* [kN]	Clamping stroke M [mm]	Total stroke N [mm]	Vol. Sp [cm ³]	eff. piston area Sp [cm ²]	Q max. [l/min]	Weight [g]
68619	6951G-02-11	2	6	14,5	0,92	0,63	0,165	308
68635	6951G-02-12	2	6	14,5	0,92	0,63	0,165	308
68692	6951G-05-11	5	8	20,0	3,82	1,90	0,400	771
68718	6951G-05-12	5	8	20,0	3,82	1,90	0,400	771
68429	6951G-11-11	11	13	29,5	11,90	4,04	1,640	1424
68445	6951G-11-12	11	13	29,5	11,90	4,04	1,640	1424

Sp = clamp, Lo = unclamp

* Clamping forces with short clamping arm.

Design:

Cylinder barrel from steel, hardened and burnished. Piston rod case hardened and chrome plated. Piston rod with internal thread and clamping arm positioning. Wiper at piston rod. Single acting version with return spring from stainless steel. Supply scope does not include clamping arm. Oil supply via threaded port.

Application:

Swing clamps are used particularly in fixtures in which the workpiece must be freely accessible and placed from above. Workpieces with difficult shapes can also be clamped using special clamp arms (available on request).

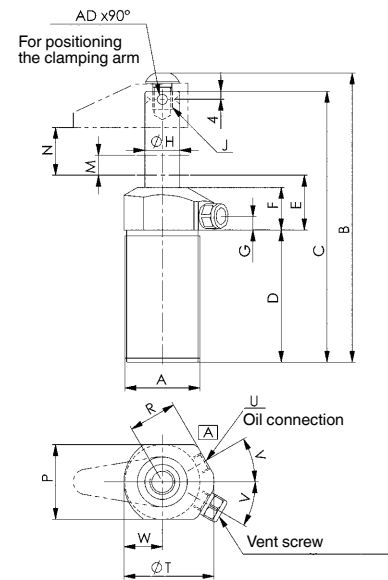
Features:

Each cylinder size is available for single or double-acting operation. The swing motion employs a patented ball guide mechanism.

Note:

The piston is guided, and so the max. permissible oil flow rate Q max. as well as the clamping arm length and weight must be observed. When mounting accessories at the piston, no force may be applied to the piston. For single-acting cylinders, there is risk of sucking in coolant through the breather port. In such cases the breather port has to be moved to a clean protected area via a connection line. When installing, ensure that all air is bled from the system. Grooved nuts DIN 70852 can also be used for attachment.

Other swivel angles are available on request.



Dimensions:

Order no.	Article no.	A	B	C	D	E	F	G	dia. H	J x depth	P	R	dia. T	U	V	W	AD
68619	6951G-02-11	M28x1,5	108,0	102,0	44,0	30,5	25,5	13	11,13	M6 x 7	32,0	20,5	38,0	G1/8	25°	14,0	3,2
68635	6951G-02-12	M28x1,5	108,0	102,0	44,0	30,5	25,5	13	11,13	M6 x 7	32,0	20,5	38,0	G1/8	25°	14,0	3,2
68692	6951G-05-11	M38x1,5	143,0	134,0	60,0	36,0	31,0	13	15,88	M10 x 12	38,0	26,0	47,5	G1/8	35°	19,5	4,8
68718	6951G-05-12	M38x1,5	143,0	134,0	60,0	36,0	31,0	13	15,88	M10 x 12	38,0	26,0	47,5	G1/8	35°	19,5	4,8
68429	6951G-11-11	M48x1,5	185,0	172,0	79,0	38,0	32,0	13	22,23	M12 x 13	47,5	31,5	60,0	G1/4	30°	25,5	4,8
68445	6951G-11-12	M48x1,5	185,0	172,0	79,0	38,0	32,0	13	22,23	M12 x 13	47,5	31,5	60,0	G1/4	30°	25,5	4,8