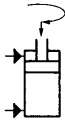


No. 6951KP

Swing clamp, top-flange-mounting, precision design

double acting,
max. operating pressure 350 bar,
min. operating pressure 35 bar.



CAD

Order no.	Article no.	Clamping force at 350 bar Sp* [kN]	Clamping force at 350 bar Lo* [kN]	Clamping stroke K [mm]	Total stroke L [mm]	Vol. Sp [cm³]	Vol. Lo [cm³]	eff. piston area Sp [cm²]	eff. piston area Lo [cm²]	Q max. [l/min]	Weight [g]
327197	6951KP-22-21	22	54	14,5	28,0	21,2	43,3	7,6	15,5	2,5	2590
327205	6951KP-22-22	22	54	14,5	28,0	21,2	43,3	7,6	15,5	2,5	2590
327213	6951KP-22-210**	22	54	32,0	45,5	34,9	71,3	7,6	15,5	2,5	2948
327221	6951KP-22-220	22	54	32,0	45,5	34,9	71,3	7,6	15,5	2,5	2948
327239	6951KP-33-21	33	80	16,0	30,0	34,3	68,4	11,4	22,8	2,5	4355
327247	6951KP-33-22	33	80	16,0	30,0	34,3	68,4	11,4	22,8	2,5	4355
327254	6951KP-33-210**	33	80	32,0	46,0	52,6	105,0	11,4	22,8	2,5	4881
327262	6951KP-33-220**	33	80	32,0	46,0	52,6	105,0	11,4	22,8	2,5	4881

Sp = clamp, Lo = unclamp

* Clamping forces with short clamping arm. ** Not a stock item!

Design:

Hardened and burnished steel cylinder barrels. Piston rod hardened and chrome plated. Wiper at piston rod. Supply scope does not include clamping arm. Oil supply via threaded connection or oil channel in the fixture body.

Application:

The swing clamp is used particularly in fixtures in which the workpieces must be freely accessible and placed from above. Workpieces with difficult shapes can also be clamped using special clamp arms (available on request).

Features:

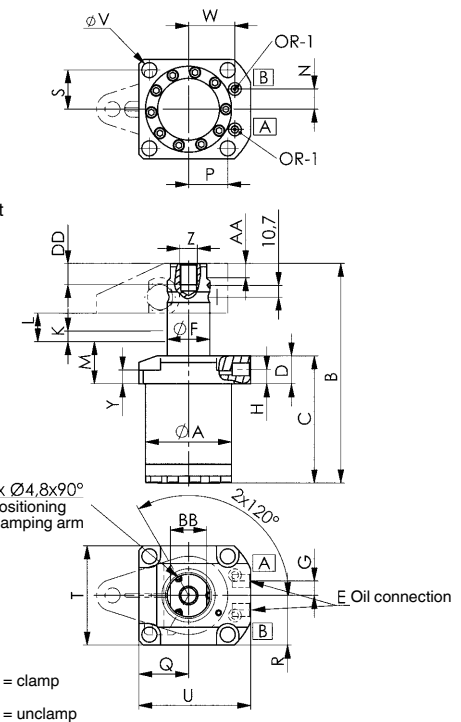
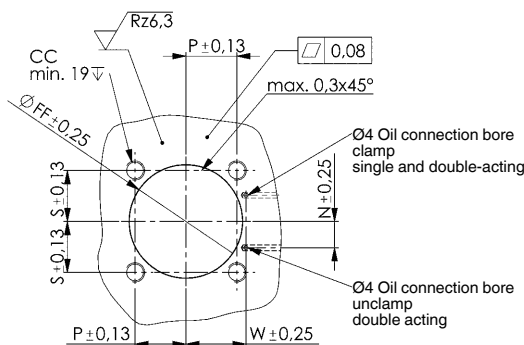
The swing motion is executed via three ball guides, thereby increasing positioning accuracy, repeat accuracy and service life.

Note:

The piston is guided, and so the max. permissible oil flow rate Q max. as well as the clamping arm length and weight must be observed. When mounting accessories at the piston, no force may be applied to the piston. When installing, ensure that all air is bled from the system.

To control the oil feed, the throttle/check valve no. 6916-12-04 can be optionally used. Other swivel angles are available on request.

Drilling template device:



Dimensions:

Order no.	Article no.	dia. A	B	C	D	E	dia. F	G	H	K	L	M	N	P	Q	R	S	T	U	dia. V	W	Y	Z	AA	BB	CC	DD	dia. FF	OR-1 O-ring Order No.
327197	6951KP-22-21	62,8	185,5	104,5	25	G1/4	31,74	13	13	14,5	28,0	33,5	14,5	27,4	35,5	35,5	27,4	71	85,5	10,7	35,1	13,0	M16	12,5	26,5	M10	19	63,4	183608
327205	6951KP-22-22	62,8	185,5	104,5	25	G1/4	31,74	13	13	14,5	28,0	33,5	14,5	27,4	35,5	35,5	27,4	71	85,5	10,7	35,1	13,0	M16	12,5	26,5	M10	19	63,4	183608
327213	6951KP-22-210**	62,8	220,5	122,0	25	G1/4	31,74	13	13	32,0	45,5	33,0	14,5	27,4	35,5	35,5	27,4	71	85,5	10,7	35,1	13,0	M16	12,5	26,5	M10	19	63,4	183608
327221	6951KP-22-220	62,8	220,5	122,0	25	G1/4	31,74	13	13	32,0	45,5	33,0	14,5	27,4	35,5	35,5	27,4	71	85,5	10,7	35,1	13,0	M16	12,5	26,5	M10	19	63,4	183608
327239	6951KP-33-21	77,0	196,5	114,0	25	G1/4	38,09	13	13	16,0	30,0	33,5	18,1	35,1	44,5	44,5	35,1	89	100,0	13,5	41,4	12,5	M16	12,5	32,5	M12	19	77,6	183608
327247	6951KP-33-22	77,0	196,5	114,0	25	G1/4	38,09	13	13	16,0	30,0	33,5	18,1	35,1	44,5	44,5	35,1	89	100,0	13,5	41,4	12,5	M16	12,5	32,5	M12	19	77,6	183608
327254	6951KP-33-210**	77,0	228,5	130,0	25	G1/4	38,09	13	13	32,0	46,0	33,5	18,1	35,1	44,5	44,5	35,1	89	100,0	13,5	41,4	12,5	M16	12,5	32,5	M12	19	77,6	183608
327262	6951KP-33-220**	77,0	228,5	130,0	25	G1/4	38,09	13	13	32,0	46,0	33,5	18,1	35,1	44,5	44,5	35,1	89	100,0	13,5	41,4	12,5	M16	12,5	32,5	M12	19	77,6	183608

Subject to technical alterations.