

No. 6951N

Swing Clamp Arm, standard



CAD

Order no.	Article no.	A	C	D	dia. E	G	H	J	K	L	N	P	R	Weight [g]
69146	6951N-22-63	63,5	14,5	15,4	31,75 +0,05	43,8	0,5	12,5	22,5	M16x1,5	25°	M12	25,5	801
60848	6951N-33-68	68,0	14,2	16,4	38,11 +0,05	44,5	-	14,2	25,6	M16x1,5	25°	M16	35,0	1134

Design:

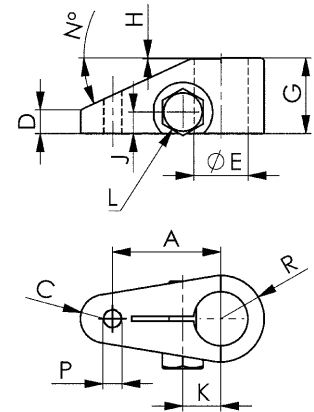
Tempered and blued steel.

Application:

For swing clamps
 order no. 69146 for sizes 6951xx-22-xx, 6941KP-11-xx
 order no. 60848 for sizes 6951xx-33-xx

Note:

Clamping pressure, flow volume and clamping arm weight must be observed. Special versions available on request.



No. 6951N

Swing Clamp Arm, upreach



CAD

Order no.	Article no.	A	B	C	D	dia. E	F	G	H	J	K	L	M	N	Weight [g]
69500	6951N-22-76	76	51	14,5	14,5	31,75 +0,05	70,0	36,5	13,5	22,5	M16x1,5	38	44,5	38,0	1580
61879	6951N-33-81	81	70	14,3	14,3	38,11 +0,05	76,2	39,6	13,5	25,6	M16x1,5	45	44,5	41,3	2313

Design:

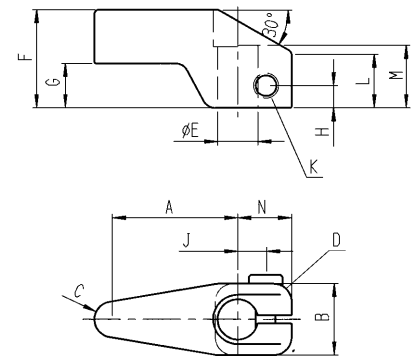
Tempered and blued steel.

Application:

For swing clamps
 order no. 69500 for sizes 6951xx-22-xx, 6941KP-11-xx
 order no. 61879 for sizes 6951xx-33-xx

Note:

Clamping pressure, flow volume and clamping arm weight must be observed. Special versions available on request.



Subject to technical alterations.