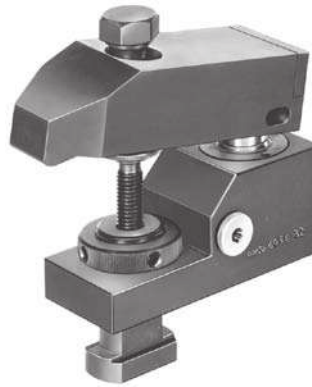
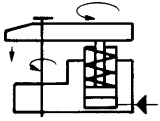


No. 6954

Swivel Clamping Strap, hydraulic clamping, mechanic unclamping

Single acting, with spring return, max. operating pressure 250 bar.



CAD

Order no.	Article no.	A	Clamping height [mm]	Clamping stroke [mm]	Clamping force at 250 bar below [kN]	Clamping force at 250 bar centre [kN]	Clamping force at 250 bar top [kN]	Piston dia. [mm]	Vol. [cm ³]	Spring force min. [N]	Weight [g]
65417	6954-14	14	40 - 80	0 - 5	30	26	24	32	4,8	150	3320
65433	6954-16	16	40 - 80	0 - 5	30	26	24	32	4,8	150	3320
65458	6954-18	18	40 - 80	0 - 5	30	26	24	32	4,8	150	3320
65474	6954-20	20	40 - 80	0 - 5	30	26	24	32	4,8	150	3320
65490	6954-22	22	40 - 80	0 - 5	30	26	24	32	4,8	150	3320

Design:

Clamp (with swivel lock), clamping bolt and sleeve tempered and blued. Cylinder body made of tempering steel, blued. Piston and piston rod case-hardened and ground. Wiper at piston rod, venting screw and sinter metal breather. Long piston guiding and Teflon guide ring at piston.

Application:

The swivel clamping strap is intended for the most frequently occurring tool clamping heights.

Features:

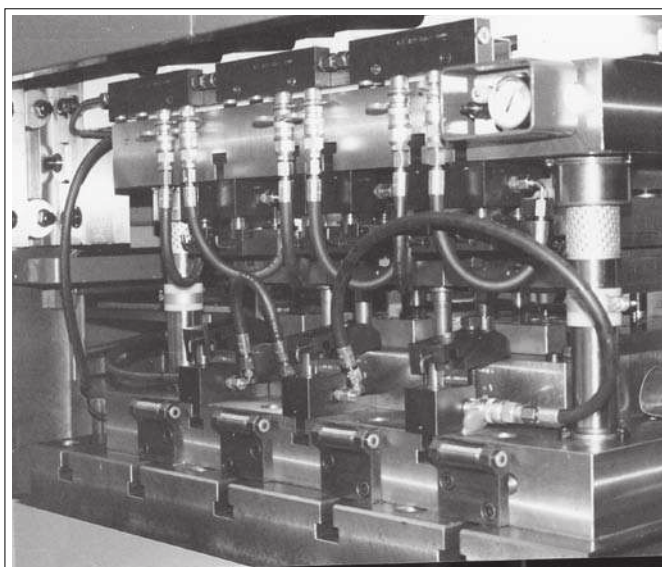
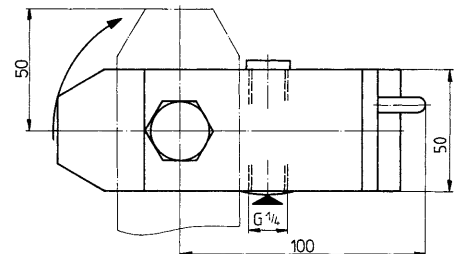
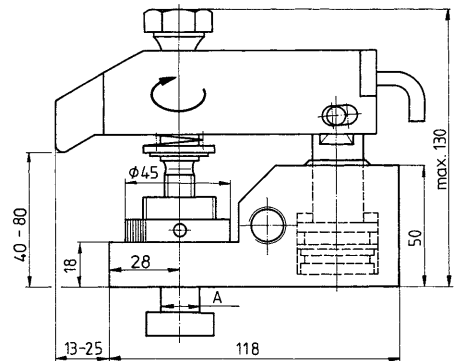
Large clamping range, fast height adjustment to the required tool clamping edge height. The swivel clamping strap is inserted directly into the T-slot of the press. The workpiece can also be removed vertically upwards as the clamping bar can be swivelled away manually. The clamping bar is mechanically locked in the clamping position.

Note:

For single-acting cylinders, there is a risk of coolant being sucked through the breather port. In this case the cylinders have to be protected against the direct effect of coolant. The built in sinter metal breather should be protected. When placing into operation, ensure that all air is bled from the system.

On request:

Further sizes, specially made bases for bigger clamping heights and other T-slot sizes on request.



Subject to technical alterations.