

No. 6958AU

Surface-mounted block

with O-ring connection and threaded connection



| Order no. | Article no. | A | A1 | B | B1 | C | C1 | dia. D1 | L | OR-1 O-ring Order No. | Weight [g] |
|-----------|-----------------|----|----|----|----|------|------|---------|----|-----------------------|------------|
| 322560 | 6958AU-16-10-01 | 40 | 29 | 44 | 33 | 17,0 | 11,5 | 6,5 | 50 | 321646 | 145 |
| 322586 | 6958AU-20-10-01 | 46 | 33 | 53 | 40 | 20,5 | 14,0 | 8,5 | 57 | 321646 | 229 |
| 322602 | 6958AU-25-10-01 | 55 | 39 | 67 | 51 | 27,0 | 19,0 | 10,5 | 60 | 321646 | 379 |
| 322628 | 6958AU-32-10-01 | 66 | 48 | 76 | 58 | 31,0 | 22,0 | 12,5 | 82 | 321646 | 653 |

Design:

Made of aluminium, red anodised.

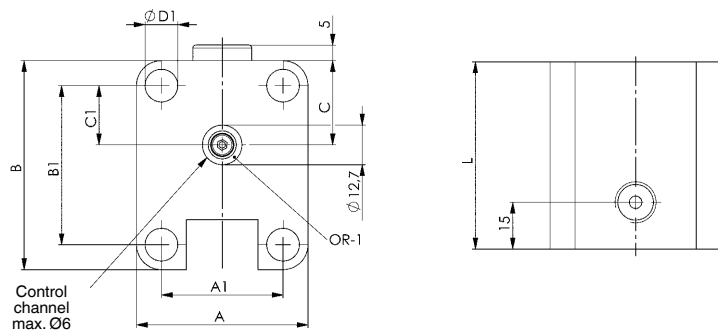
Supply scope includes O-ring dia.9x2, threaded plugs and fastening screws.

Application:

The surface-mounted block with O-ring connection from below and threaded connection can be flanged into the fixture as an adapter over the control channel without restriction for the cylindrical part of the vertical clamp or where the control oil supply to the vertical clamp has to be routed via external lines.

Note:

The flange surface on the fixture must be even, and must have a surface finish of Rz 6.3 in the area of the O-ring sealing surface. Other lengths are available on request.



CAD



No. 6958AT

Surface-mounted block

with O-ring connection and threaded connection



| Order no. | Article no. | A | A1 | A2 | B | B1 | C | C1 | dia. D1 | L | OR-1 O-ring Order No. | Weight [g] |
|-----------|-----------------|-----|----|----|----|----|------|------|---------|----|-----------------------|------------|
| 323089 | 6958AT-16-10-01 | 62 | 29 | 51 | 33 | 22 | 17,0 | 11,5 | 6,5 | 50 | 321646 | 161 |
| 323105 | 6958AT-20-10-01 | 72 | 33 | 59 | 40 | 27 | 20,5 | 14,0 | 8,5 | 57 | 321646 | 263 |
| 323121 | 6958AT-25-10-01 | 87 | 39 | 71 | 51 | 35 | 27,0 | 19,0 | 10,5 | 60 | 321646 | 437 |
| 323147 | 6958AT-32-10-01 | 102 | 48 | 84 | 58 | 40 | 31,0 | 22,0 | 12,5 | 82 | 321646 | 756 |

Design:

Made of aluminium, red anodised.

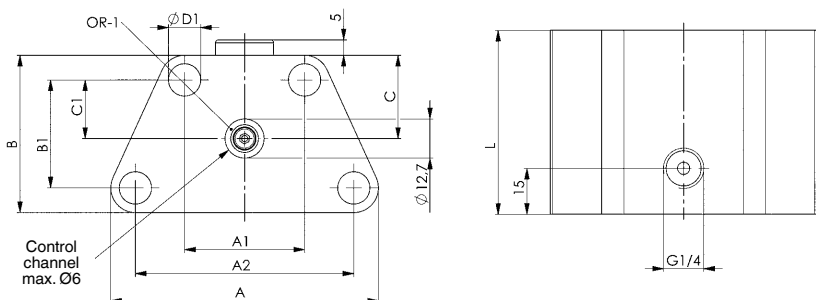
Supply scope includes O-ring dia.9x2, threaded plugs and fastening screws.

Application:

The surface-mounted block with O-ring connection from below and threaded connection can be flanged into the fixture as an adapter over the control channel without restriction for the cylindrical part of the vertical clamp or where the control oil supply to the vertical clamp has to be routed via external lines

Note:

The flange surface on the fixture must be even, and must have a surface finish of Rz 6.3 in the area of the O-ring sealing surface. Other lengths are available on request.



CAD



Subject to technical alterations.