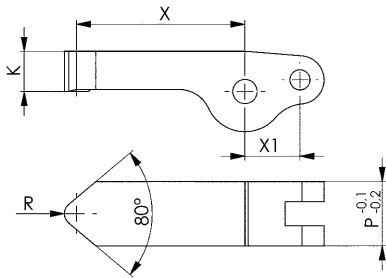


No. 6958E-XX-0X

Clamping arm out of steel



NEW!
NEW!
NEW!

Order no.	Article no.	Clamping force at 100 bar [kN]	Clamping force at 250 bar [kN]	X	X1*	K	P	R	Weight [g]
328054	6958E-20-00-01	1,38	3,46	28	13,7	10	16	3	66
328070	6958E-20-00-02	1,11	2,72	35	13,7	10	16	3	74
328096	6958E-20-00-03	0,92	2,30	42	13,7	10	16	3	82
328062	6858E-30-00-01	3,19	7,96	41	20,5	15	24	5	215
328088	6958E-30-00-02	2,56	6,40	51	20,5	15	24	5	242
328104	6958E-30-00-03	2,14	5,35	61	20,5	15	24	5	270
562252	6958E-50-00-01	9,25	23,13	64	33,5	23	40	6	844
562253	6958E-50-00-02	7,50	18,74	79	33,5	23	40	6	950
562254	6958E-50-00-03	6,30	15,75	94	33,5	23	40	6	1056

*X1 = Lever length at 90°

Design:

Case-hardening steel, case-hardened.

Application:

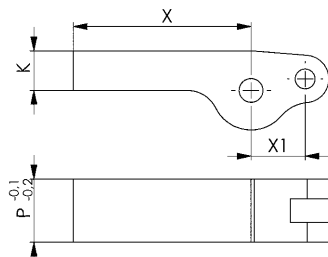
For vertical clamps 6958E.

Note:

Clamping pressure, leverage, flow volume and clamp arm weight must always be observed.

No. 6958ER-XX-00

Clamping arm blank from steel



NEW!

Order no.	Article no.	X	X1*	K	P	Weight [g]
328112	6958E-20-00	45	13,7	10	16	88
328120	6958E-30-00	66	20,5	15	24	287
562250	6958E-50-00	100	33,5	23	40	1130

*X1 = Lever length at 90°

Design:

Case-hardened steel, unhardened.

Application:

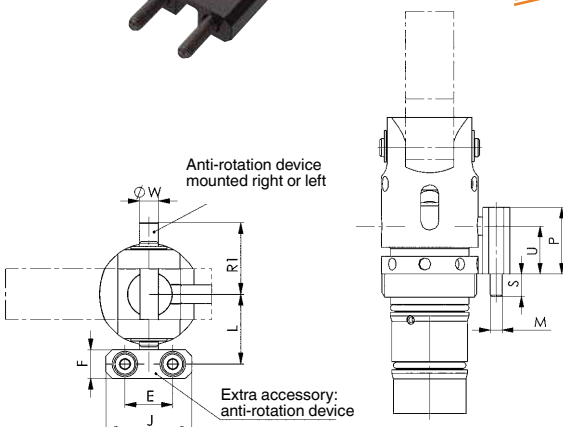
For vertical clamps 6958E.

Note:

Clamping pressure, leverage, flow volume and clamp arm weight must always be observed.

No. 6958E-XX-00-00

Anti-rotation device



NEW!

Order no.	Article no.	E	F	J	L	M	P	S	U	R1	dia. W	Weight [g]
328963	6958E-20-00-00	15	9	27	22,0	M4	22	7	15,8	22,5	6	40
328989	6958E-30-00-00	25	15	40	31,5	M6	32	10	24,0	33,0	8	145
562251	6958E-50-00-00	32	20	50	49,0	M8	46	12,6	36,0	50,0	12	130

Design:

Made of aluminium, black anodised.



Subject to technical alterations.