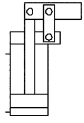


## No. 6959KB

### Link Clamp

double-acting  
max. operating pressure 350 bar,  
min. operating pressure 25 bar.



Order no.	Article no.	Clamping force at 100 bar* [kN]	Clamping force at 350 bar* [kN]	Piston force at 100 bar [kN]	Piston force at 350 bar [kN]	Stroke [mm]	Vol. Sp [cm <sup>3</sup> ]	Vol. Lo [cm <sup>3</sup> ]	eff. piston area Sp [cm <sup>2</sup> ]	eff. piston area Lo [cm <sup>2</sup> ]	Md max. [Nm]	Piston rod dia. [mm]	Piston dia. [mm]	Weight [g]
554667	6959KB-16	1,5	5,4	2,0	7,0	17,0	7,4	1,5	2,0	0,9	6,3	12	16	755
554668	6959KB-20	2,4	8,4	3,1	11,0	23,0	7,2	3,2	3,1	1,4	12,0	15	20	1876
554669	6959KB-25	3,8	13,2	4,9	17,2	26,5	13,0	6,3	4,9	2,4	25,0	18	25	2390
554670	6959KB-32	6,2	21,6	8,0	28,1	34,0	27,3	10,7	8,0	3,1	50,0	25	32	5320

Sp = clamp, Lo = unclamp

\* Clamping force when using standard clamping lever

### Design:

Cylinder housing made from tempered steel, tempered and burnished. Top mounting with four cylinder screws (resistance min. 12.9), these are supplied as standard. Pistons and bolts from from hardened steel, tempered, ground and nitrided.

Hinge pins and tension plates are supplied as standard, but not clamping levers. Oil supply via threaded port or oil channel in fixture body.

### Application:

Link clamps are used in clamping fixtures in which workpieces must be freely accessible and loaded from above. Particularly suitable for clamping in clamping pockets.

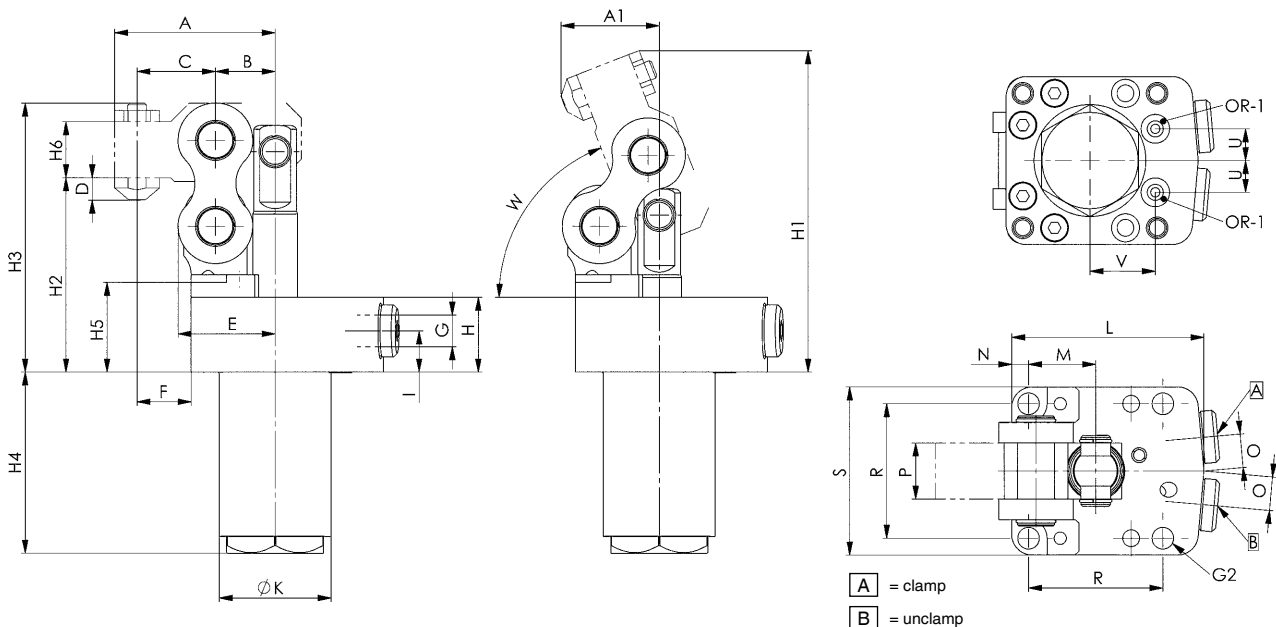
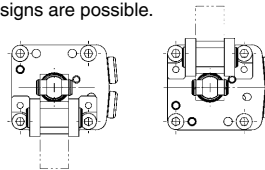
### Features:

Top flange version, lever mechanism can be turned in the range of 180° in 90° steps. Special designs are possible.

### Note:

Maximum speed of operation 0.5 m/s.

Proximity switch and electrical pressure-point monitoring can be supplied on request.



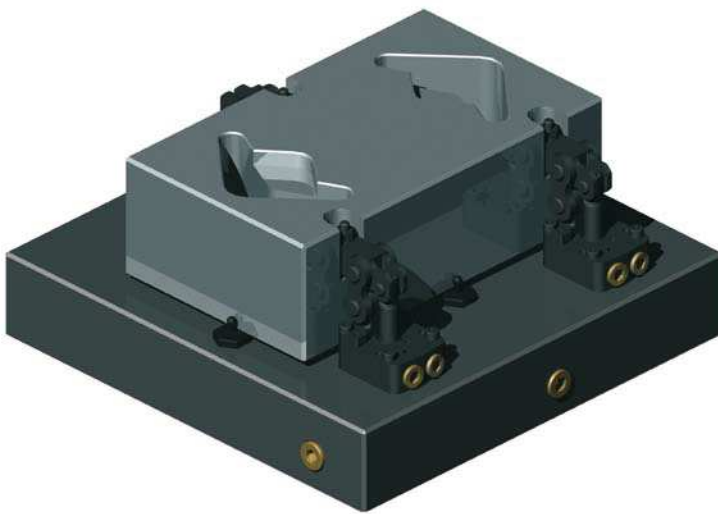
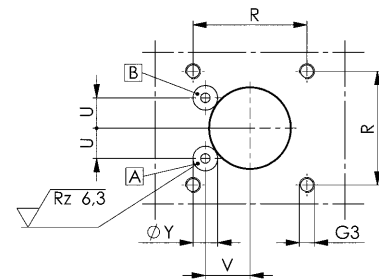
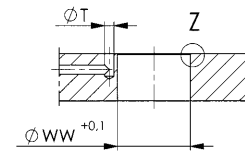
### Dimensions:

Order no.	Article no.	A	A1	B	C	D	E	F	G	H	H1	H2	H3	H4	H5	H6	I	dia. K	L	M	N	P	O	R	S	W	ØG2	U	V	OR-1 O-ring Order No.
554667	6959KB-16	43,0	26,3	16,0	21,0	6,0	26,0	14,5	G1/8	20	86,0	52	72	48,5	24	15	11,0	30	51,5	18	4,5	15	9	36	45	68,6°	5,8	8,5	17,5	161802
554668	6959KB-20	56,5	33,0	21,0	27,5	6,0	35,0	13,5	G1/4	26	120,5	72	103	61,5	34	25	14,0	38	70,0	27	8,0	20	14	54	70	74,4°	6,5	15,0	21,5	321646
554669	6959KB-25	63,5	40,3	24,0	31,5	8,0	40,0	18,5	G1/4	27	129,3	75	110	65,0	37	27	14,0	42	74,0	30	7,0	24	14	60	74	73,7°	8,5	16,0	23,5	321646
554670	6959KB-32	82,0	51,0	32,0	42,0	8,0	52,0	24,0	G1/4	35	167,5	103	145	81,5	47	27	15,0	52	100,0	39	11,0	30	14	78	100	70,5°	10,5	16,0	30,0	321646

Subject to technical alterations.

## Installation dimensions:

Order no.	Article no.	G3 x depth	R ±0,2	dia. T	U	V	ØWW +0.1	X	dia. Y x max. depth
554667	6959KB-16	M5 x 11	36	3,0	8,5	17,5	30,2	0,2 x 45°	7,8 x 0,1
554668	6959KB-20	M6 x 18	54	5,0	15,0	21,5	38,2	0,2 x 45°	12,7 x 0,1
554669	6959KB-25	M8 x 16	60	5,0	16,0	23,5	42,2	0,2 x 45°	12,7 x 0,1
554670	6959KB-32	M10 x 16	78	5,0	16,0	30,0	52,2	0,2 x 45°	12,7 x 0,1



Subject to technical alterations.