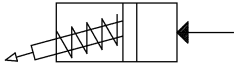


## No. 6973

### Pull-Down Clamp

single acting, with spring return,  
max. operating pressure 350 bar.



Order no.	Article no.	Clamping force horizontal at 350 bar [kN]	Clamping force vertical at 350 bar [kN]	Stroke [mm]	Piston area [cm <sup>2</sup> ]	Vol. [cm <sup>3</sup> ]	Md max. [Nm]	OR-1 O-ring Order No.	Weight [g]
66787	6973-09-1	8,9	2,2	5	2,9	1,4	11	-	481
66803	6973-09-2	8,9	2,2	5	2,9	1,4	11	550266	399

### Design:

Cylinder barrel from steel, hardened and burnished. Piston rod case hardened and ground. Hardened clamping jaw. Return spring from stainless steel. Oil supply via threaded connection or oil channel in the fixture body.

### Application:

Universal Edge Clamp for various applications.

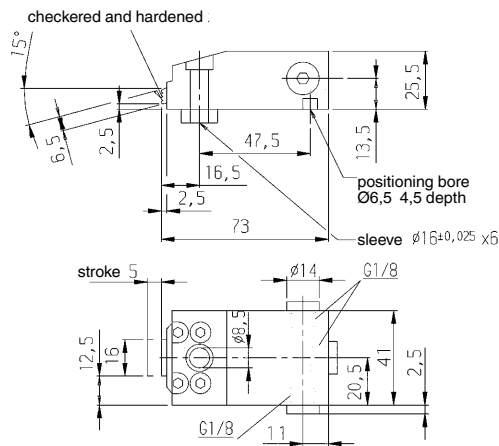
### Features:

Small unit offering large clamping force.

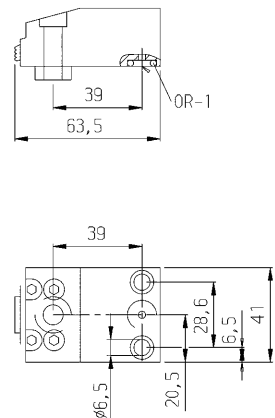
### Note:

When placing into operation, ensure that all air is bled from the system.  
The surface quality of No. 6973-09-2 must be Rz 6.3 at the mating flange surface.

66787



66803



CAD

Subject to technical alterations.