

No. 6974-XXXX-1

Connection plate for centring clamp

for O-ring connection

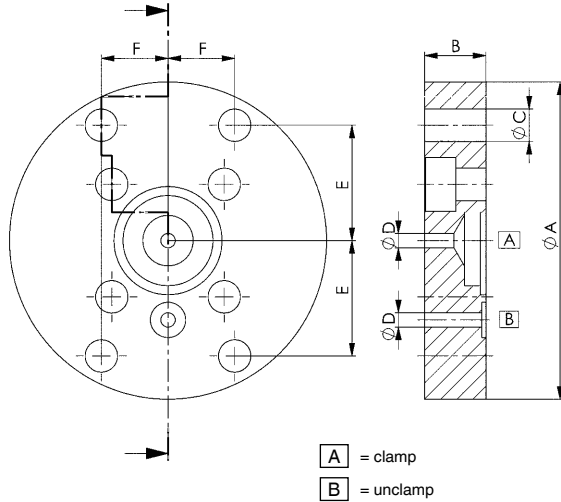
Order no.	Article no.	dia. AxB [mm]	dia. C	dia. D	E	F	Screw (4 pieces)	Weight [g]
328971	6974-5476-1	68x15	6,6	3	24,2	14,0	M6x16	370
328997	6974-7698-1	88x17	9,0	4	32,0	18,5	M8x20	680
329128	6974-98130-1	110x20	11,0	5	39,8	23,0	M10x25	1271

Design:

Tempering steel, TEM-deburred and phosphatised.

Application:

If the centring clamp is fastened from above and oil is supplied through conduits drilled in the fixture body.



No. 6974-XXXX-2

Connection plate for centring clamp

for pipeline connection

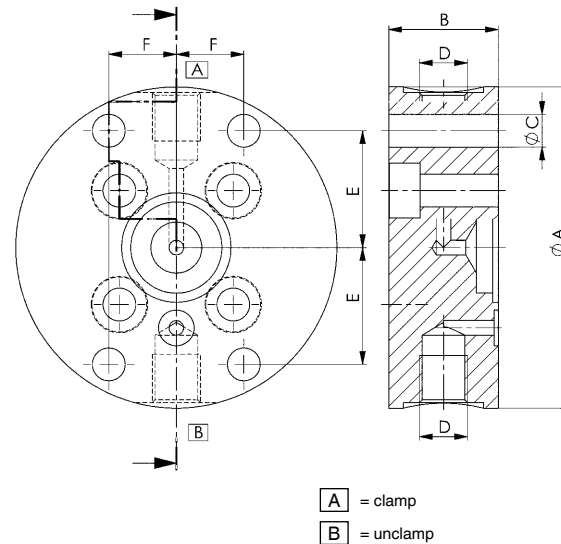
Order no.	Article no.	dia. AxB [mm]	dia. C	dia. D	E	F	Screw (4 pieces)	Weight [g]
329011	6974-5476-2	68x30	6,6	G1/4	24,2	14,0	M6x35	725
329037	6974-7698-2	88x30	9,0	G1/4	32,0	18,5	M8x35	1210
329144	6974-98130-2	110x30	11,0	G1/4	39,8	23,0	M10x35	1909

Design:

Tempering steel, TEM-deburred and phosphatised.

Application:

If the centring clamp is fastened from above and oil is supplied through pipes.



Subject to technical alterations.