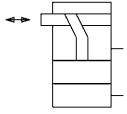


No. 6978CD

Side clamping element without support

Double-acting,
max. operating pressure 250 bar,
min. operating pressure 30 bar.

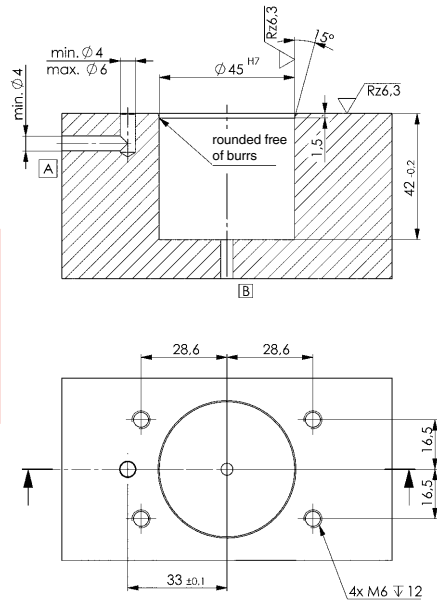


NEW!



Installation dimensions:

(with throttle function)



Order no.	Article no.	Clamping force at 150 bar [kN]	Clamping force at 250 bar [kN]	Stroke	OR-1 O-ring Order No.	OR-2 O-ring Order No.	Weight [g]
562198	6978CD-28	16,5	27,5	3	562537	173096	1510

Design:

Housing made of steel, burnished. Tension slide hardened. Integrated flow rate restrictor, grooved clamping jaw. Oil supply via oil channel in fixture body.

Application:

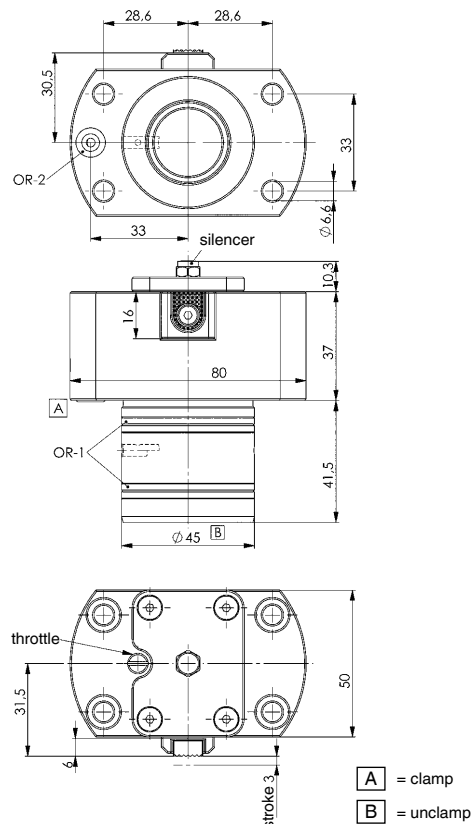
For clamping workpieces in a linear direction. Compact design. The workpiece can be clamped sensitively thanks to the adjustable flow rate restrictor.

Features:

High flexibility through individually designed and exchangeable clamping jaws.

Note:

The installation hole must be free of burrs. Seals and housings must be greased during installation. Avoid chips from gathering via oil channels.



CAD