

No. 6980FRX

Failover with roll

flanged.

NEW!



CAD

Order no.	Article no.	Material roll steel	Material roll plastic	Deflection force [N]	Deflection angle max. [°]	Weight [g]
562208	6980FRS-16	●	-	7-20	24	258
562209	6980FRK-16	-	●	7-20	24	252

Design:

Housing and lever made of steel, burnished. Roller made of hardened steel or plastic

Application:

Workpieces are held in position before the clamping operation and prevented from falling out.

Features:

Countless variants are possible by combining the various mounting variants and deflection directions. Damage to the workpiece surface is prevented by using the roller.

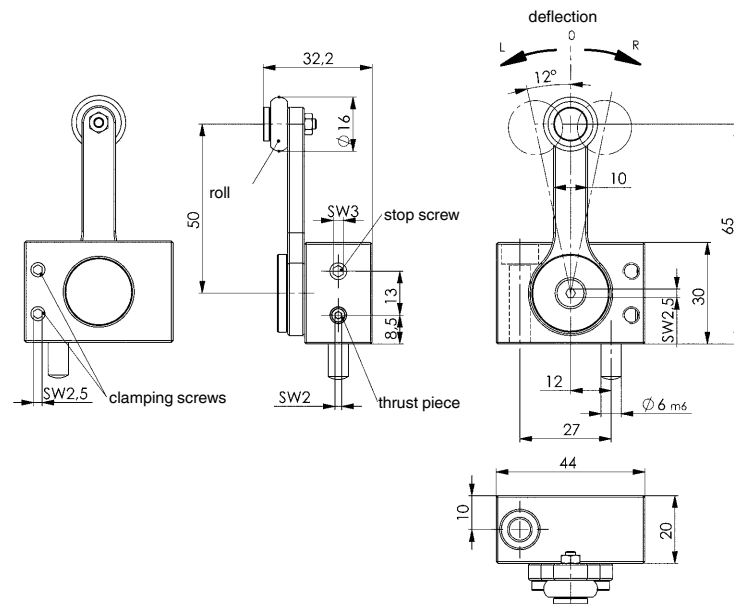
Note:

The deflection can be changed by altering the position of the stop screw with the thrust piece in the housing. The position is secured with the clamping screw. In the normal position, the lever is changeable by 90°.

Replacement part:

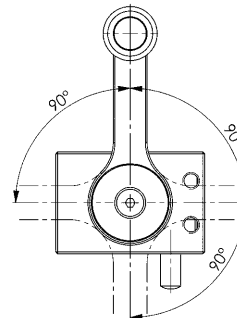
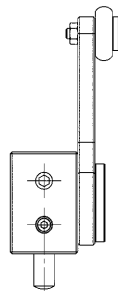
Roller made of steel 6958FRS-16-06: order no. 562538

Roller made of plastic 6980FRK-16-06: order no. 562539

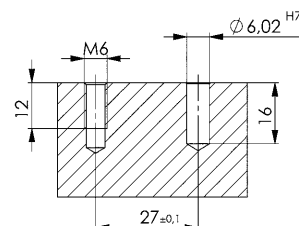


convertible: right lever

convertible: lever by 90° respectively



Installation dimensions:



Subject to technical alterations.