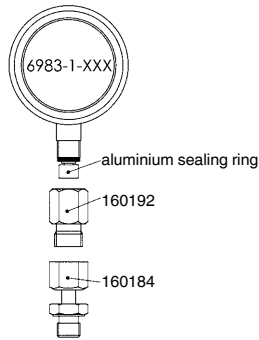


No. 6983

Gauge

Mark represents 400 bar,
6983-1 bottom connection,
6983-2 rear connection.



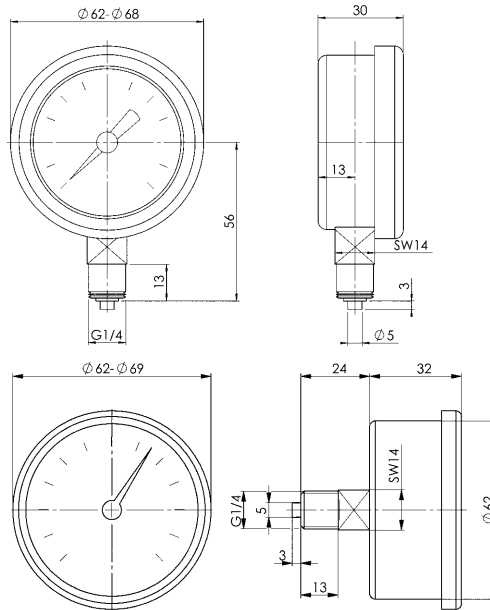
Order no.	Article no.	max. pressure range		Weight [g]
		[bar]		
320648	6983-1-100	100		300
320655	6983-1-250	250		300
161414	6983-1-600	600		300
168575	6983-2	600		300

Design:

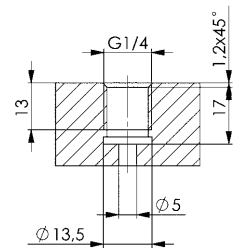
Complete with glycerin filling and aluminium sealing ring. Accuracy class 1.6.
Housing made of stainless steel, rust-free.

Note:

A combination of pipe fitting 6994-01 and 6994-02 can be used for the pipe connection.



Installation dimensions:



No. 6988

Manifold

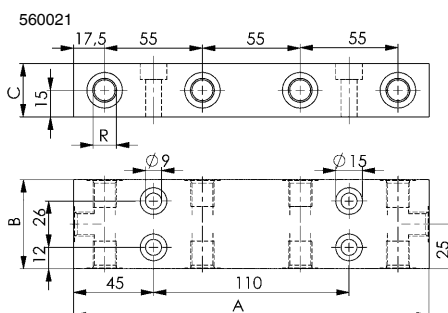
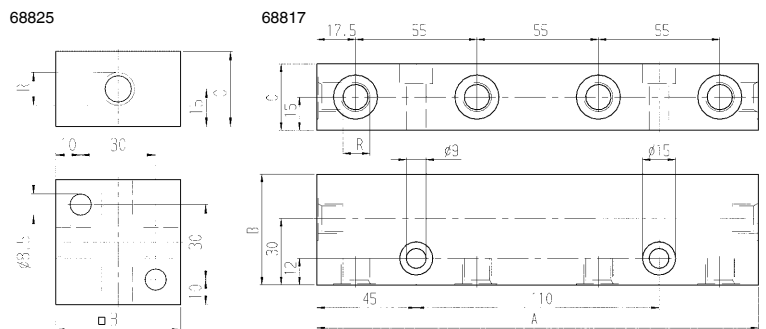


NEW!

Order no.	Article no.	Operating pressure [bar]	NG	A	B	C	R	Oil connections	Weight [g]
68825	6988-G1/4x4	400	6	-	50	30	G1/4	4	480
68817	6988-G1/4x6	400	6	200	50	30	G1/4	6	2025
560021	6988-G1/4x10	400	6	200	50	30	G1/4	10	1980

Design:

Housing from steel, burnished.



Subject to technical alterations.