

No. 6991-01

Axial Swivel Joint, single passage

max. operating pressure 400 bar.



Order no.	Article no.	NG	max. torque [Nm]	max. r.p.m. [1/min]	Md G1/4 [Nm]	Ambient temp. [°C]	Weight [g]
69088	6991-01	4	0,5	25	40	-30 - +80	140

Design:

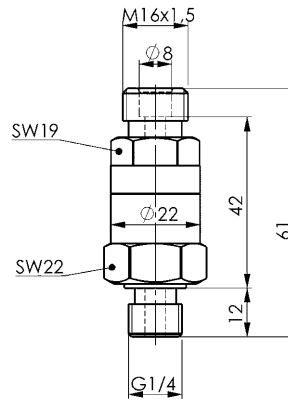
Steel galvanized and yellow passivated. With union nut and cutting ring.

Application:

Rotary couplings are used to supply hydraulic oil to systems which can be rotated and swivelled.

Note:

Please observe max. operating pressure and max. rpm. Thread G1/4 is sealed by means of a sealing edge according to DIN 3852 Part 2, form B.



No. 6991-02

Angle Swivel Joint, 90° single passage

max. operating pressure 400 bar.



Order no.	Article no.	NG	max. torque [Nm]	max. r.p.m. [1/min]	Md G1/4 [Nm]	Ambient temp. [°C]	Weight [g]
69104	6991-02	4	0,5	25	40	-30 - +80	180

Design:

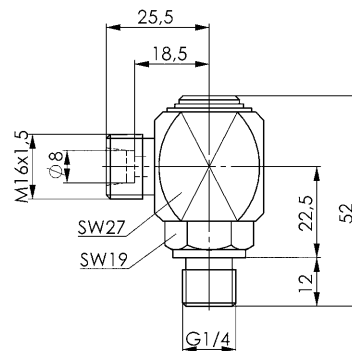
Steel galvanized. With union nut and cutting ring.

Application:

Rotary couplings are used to supply hydraulic oil to systems which can be rotated and swivelled.

Note:

Please observe max. operating pressure and max. rpm. Thread G1/4 is sealed by means of a sealing edge according to DIN 3852 Part 2, form B.



Subject to technical alterations.