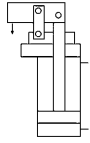


No. 6958C-XX-1

Vertical clamp with linear stroke

Double-acting,
max. operating pressure 250 bar,
min. operating pressure 40 bar.



NEW!



Order no.	Article no.	Clamping force at 250 bar Sp*		Clamping stroke H [mm]	Vol. Sp [cm ³]	eff. piston area Sp [cm ²]	Md [Nm]	Q max. * [l/min]	Weight [g]
		[kN]							
561039	6958C-03-1	2,8		6	0,9	1,3	7,0	0,5	486
561040	6958C-04-1	5,0		6	1,6	2,3	13,0	0,9	744
556978	6958C-07-1**	8,3		7	2,4	3,8	15	1,5	1200
556979	6958C-10-1**	11,1		9	3,8	5,1	30	2,0	1660

Cl = clamping

* Specifications with clamping arm, standard ** Delivery time on request

Design:

Hydraulic clamp as drop-in cartridge with hardened running socket, which can be screwed into the fixture. Top mounting with four cylinder screws (resistance min. 12.9); these are supplied as standard. All components are made from hardened, tempered and burnished steel. Piston and pivot bolts are made from tempered steel, hardened and nitrided. Metal wiper to protect the dirt wiper is integrated into the housing. Compressed air nozzle for pneumatic clamping control. Pivot bolts, tensioning straps and compressed air nozzle are supplied as standard, but not clamping arms. Oil supply via oil channel in fixture body.

Application:

The double-acting vertical clamp is preferred for use in hydraulic fixtures in which there is very little installation space for a hydraulic clamping element. For complex workpieces, a small area is sufficient to clamp the workpiece. Through the oil supply in the fixture body, a very close array of the clamping elements is possible. Pneumatic release control permits monitoring of the clamp arm. Workpieces can be installed or removed automatically with handling devices.

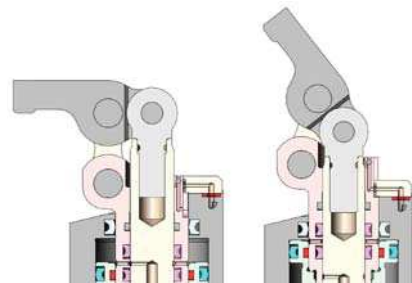
Features:

The double-acting vertical clamp permits a clearly defined movement of the clamp arm. After the rotary movement of the clamping arm, there follows a linear clamping stroke on the workpiece, which can compensate for large workpiece tolerances. There is no relative movement on the workpiece during its clamping. Very small dimensions, so workpieces can be installed closely spaced side-by-side. Due to the pneumatic release control, the clamp is used optimally in automated sequences.

Note:

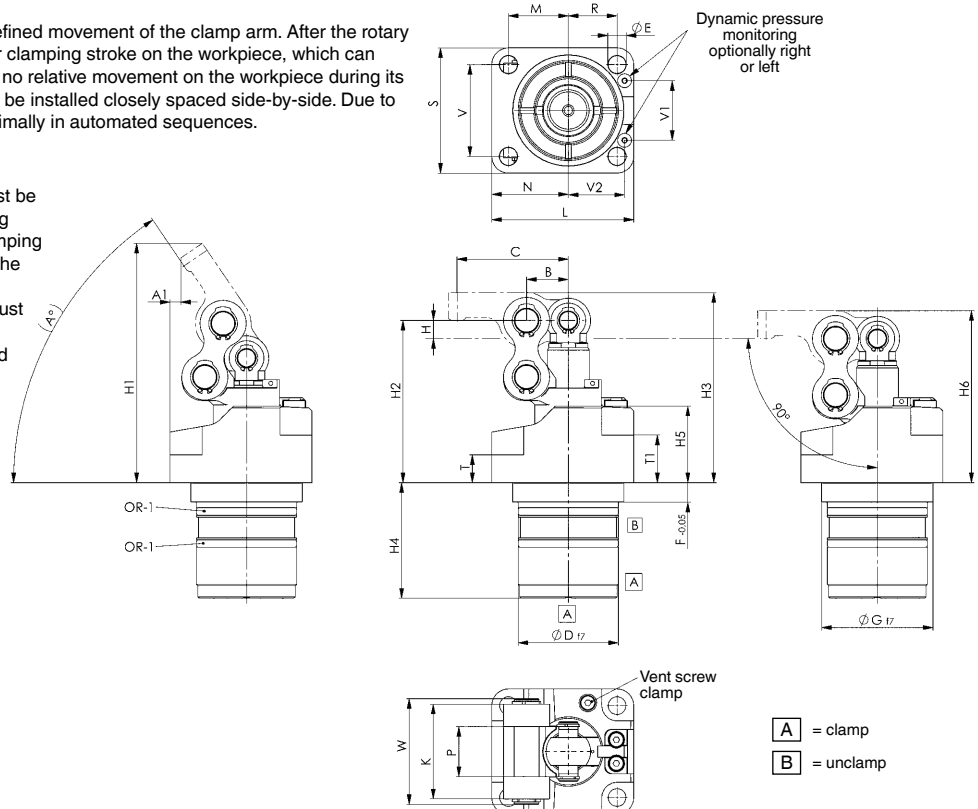
Collision of the workpiece with the clamping arm must be avoided during loading and unloading of the clamping fixture. When designing the clamping fixture, the clamping position must be laid approximately in the middle of the clamping stroke in order to have enough reserve for workpiece tolerances. Soiling at the vertical clamp must be considered or avoided through inclusion in the cleaning process. The signal converter is not supplied as standard. The lever ratio must be observed when using special clamping levers.

Dynamic pressure monitoring:



closed: clamped

open: unclamped



A = clamp
B = unclamp

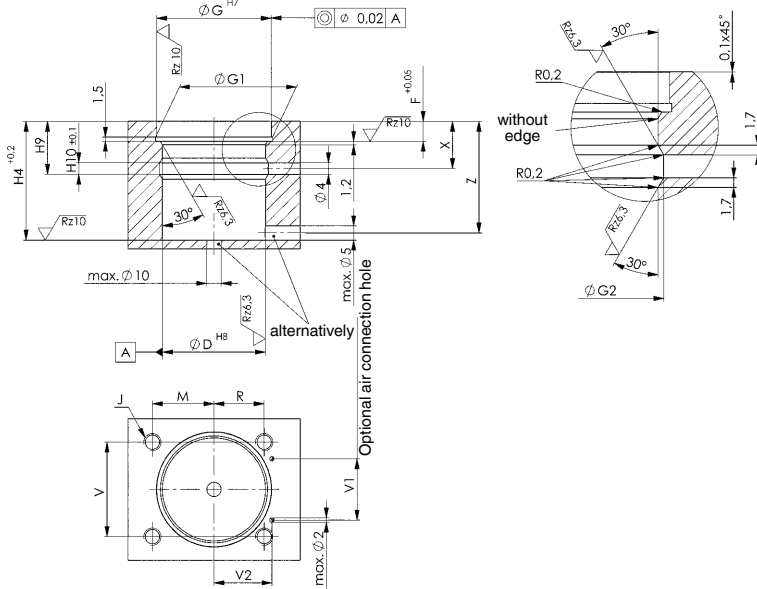
Dimensions:

Order no.	Article no.	A°	A1	B	C	ØD f7	dia. E	F -0.05	ØG f7	H	H1	H2	H3	H4	H5	H6	K	L	M	N	P	R	S	T	T1	V	V1	V2	W	OR-1 O-ring Order No.
561039	6958C-03-1	52	0,5	12	35	29	5,3	7	33	6	80	54,3	63,3	36,0	27,5	57,3	29	42	17,4	22,5	15	14,4	39	10	18,0	28,5	18,4	16,6	33	321265
561040	6958C-04-1	56	3,4	15	40	36	6,4	7	40	6	86	58,3	68,3	41,5	27,5	62,3	34	51	21,5	27,5	18	17,5	45	10	17,1	33,0	21,4	20,2	38	555899
556978	6958C-07-1**	53	4,0	18	48	40	8,4	7	48	7	93,5	64,0	75,0	44,5	29,5	68,0	36	62	24,5	32,5	20	21,5	56	10	15,9	40,0	26,0	25,0	40	555939
556979	6958C-10-1**	51	1,6	21	50	45	8,4	7	55	9	104,8	73,5	85,5	51,0	33,5	76,5	36	66	28,0	34,5	20	25,0	63	14	19,9	50,0	32,0	27,8	40	556478

Subject to technical alterations.

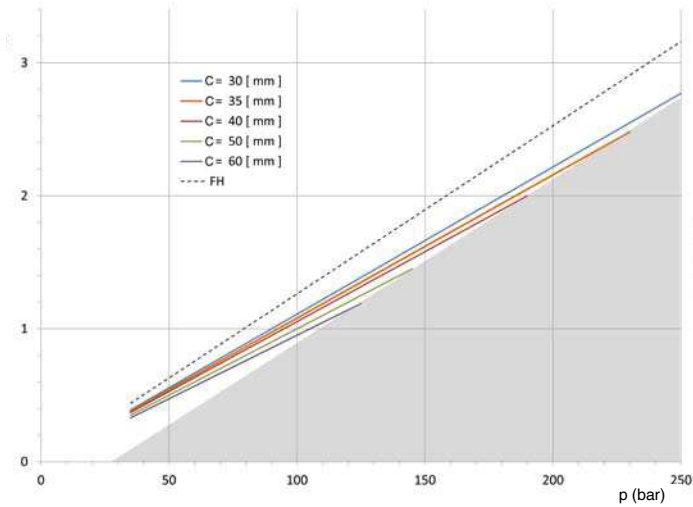
Installation dimensions:

Order no.	Article no.	dia. D H8	ØG H7	ØG1	ØG2	H4	H9	H10 ±0.1	J x depth	M	R	V	V1	V2	F +0.05	X	Z
561039	6958C-03-1	29	33	34,0	31	36,0	18,5	4	M5 x 15	17,4	14,4	28,5	18,4	16,6	7	16,5	33,5
561040	6958C-04-1	36	40	40,8	38	41,5	18,5	4	M6 x 15	21,5	17,5	33,0	21,4	20,2	7	16,5	39,0
556978	6958C-07-1**	40	48	48,6	42	44,5	21,0	6	M8 x 15	24,5	21,5	40,0	26,0	25,0	7	18,0	42,0
556979	6958C-10-1**	45	55	56,5	47	51,0	25,5	9	M8 x 15	28,0	25,0	50,0	32,0	27,8	7	21,0	48,5



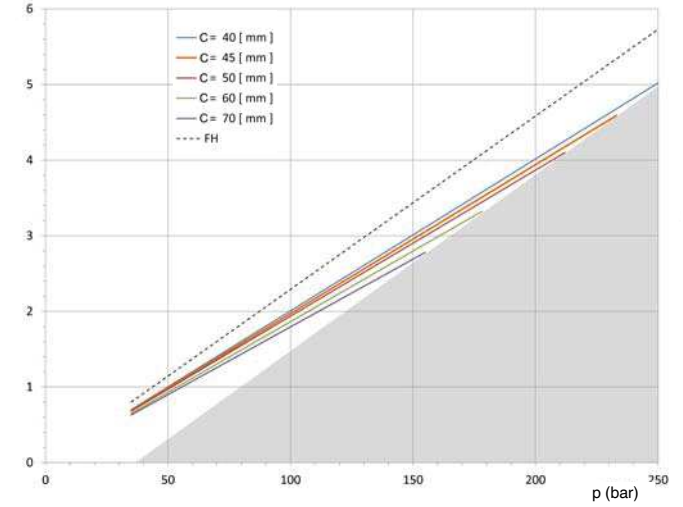
6958C-03-1

Fsp (kN)



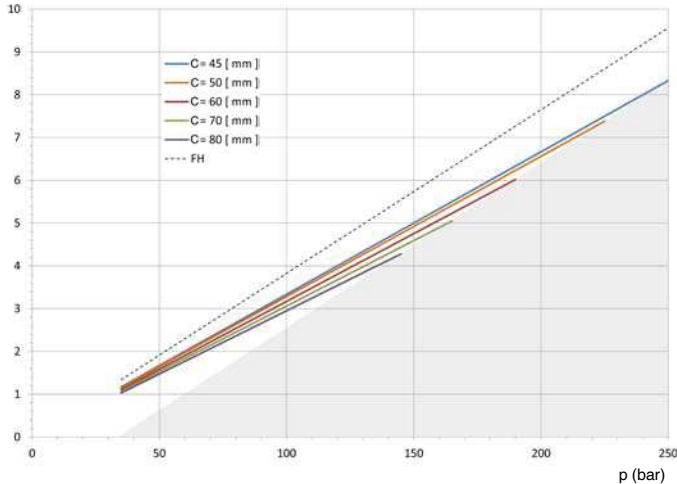
6958C-04-1

Fsp (kN)



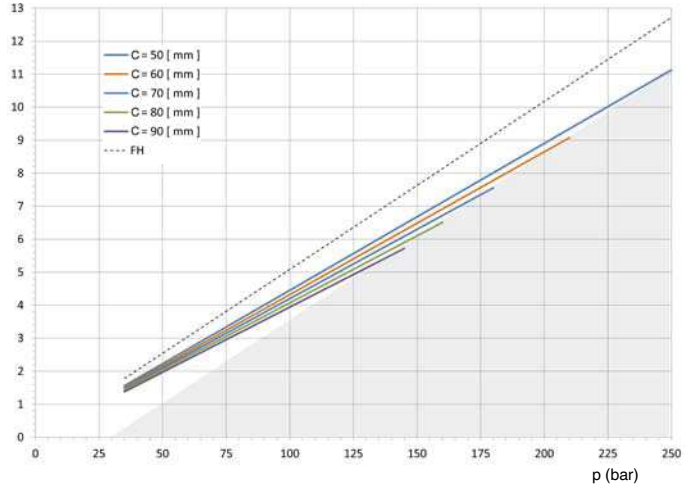
6958C-07-1

Fsp (kN)



6958C-10-1

Fsp (kN)



Subject to technical alterations.