

No. 6958CK-XX-04

Clamping arm



CAD

Order no.	Article no.	B	B1	C	G°	K	L	N	P	R	R1	Weight [g]
562272	6958CK-16-04	12	3	19	90	7,5	32,7	10	15	2	2	34

NEW!



Design:

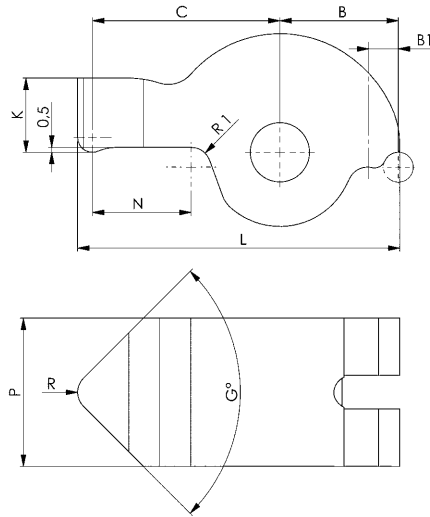
Heat treated and burnished steel.

Application:

For MINI vertical clamp 6958CK.

Note:

Clamping pressure, leverage, flow volume and clamp arm weight must always be observed.



No. 6958CKR-XX-04

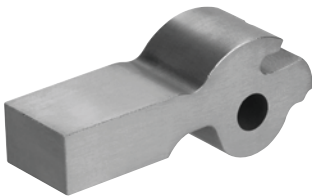
Clamping arm blank



CAD

Order no.	Article no.	B	B1	C	dia. D H7	J	K	L	N	P	R	R1	Weight [g]
562277	6958CKR-16-04	12	3	35	6	2,5	10	47,2	26	15	6	2	56

NEW!



Design:

Heat treated and burnished steel.

Application:

For MINI vertical clamp 6958CK.

Note:

Clamping pressure, leverage, flow volume and clamp arm weight must always be observed.

