

Toggle clamp made from 1.4301 / V2A or 1.4567 for special-purpose applications - in the chemical and food industries for example. Especially well suited to applications on machines and devices that are subject to hygiene regulations or are used outdoors under unfavourable weather conditions or in corrosive environments.

THE ADVANTAGES OF STAINLESS STEEL:

Primary positive properties of the material are its resistance to corrosion due to humidity, water or other external influences and its resistance to acids. In addition, the material exhibits antimagnetic properties. Additional finishing work such as painting or galvanizing, either before or after installation or use, is generally not required. This saves time and eliminates additional costs.



**INOX
STAINLESS STEEL**

No. 6800NI

Vertical toggle clamp with red handle with open clamping arm and horizontal base.

Stainless steel, polished. In sizes 2 to 4, rivets run in bearing bushes. Bearings are pre-lubricated. Ergonomic, oil-resistant handle with large grip surface and soft components.

Supplied complete with stainless clamping screw no. 6890NI.

Also suitable for use in the food industry.

Order no.	Size	F1 [kN]	F2 [kN]	Clamping screw	Weight [g]
95000	0	0,5	0,7	M4x25	60
95026	1	0,6	1,1	M5x30	105
95042	2	0,8	1,2	M6x35	175
95067	3	1,2	2,5	M8x45	410
95083	4	1,7	3,0	M8x65	630



No. 6800NIY

Vertical toggle clamp with yellow handle



Order no.	Size	F1 [kN]	F2 [kN]	Clamping screw	Weight [g]
557213	0	0,5	0,7	M4x25	60
557214	1	0,6	1,1	M5x30	105
557215	2	0,8	1,2	M6x35	175
557216	3	1,2	2,5	M8x45	410
557217	4	1,7	3,0	M8x65	630

No. 6800NIJ

Vertical toggle clamp with orange handle



Order no.	Size	F1 [kN]	F2 [kN]	Clamping screw	Weight [g]
557433	0	0,5	0,7	M4x25	60
557434	1	0,6	1,1	M5x30	105
557435	2	0,8	1,2	M6x35	175
557436	3	1,2	2,5	M8x45	410
557437	4	1,7	3,0	M8x65	630

Subject to technical alterations.

No. 6800NIE

Vertical toggle clamp with blue handle



Order no.	Size	F1 [kN]	F2 [kN]	Clamping screw	Weight [g]
557753	0	0,5	0,7	M4x25	60
557754	1	0,6	1,1	M5x30	105
557755	2	0,8	1,2	M6x35	175
557756	3	1,2	2,5	M8x45	410
557757	4	1,7	3,0	M8x65	630

No. 6800NIG

Vertical toggle clamp with green handle



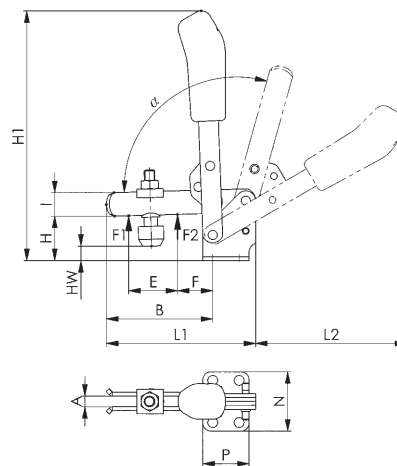
Order no.	Size	F1 [kN]	F2 [kN]	Clamping screw	Weight [g]
557586	0	0,5	0,7	M4x25	60
557587	1	0,6	1,1	M5x30	105
557588	2	0,8	1,2	M6x35	175
557589	3	1,2	2,5	M8x45	410
557590	4	1,7	3,0	M8x65	630

No. 6800NIT

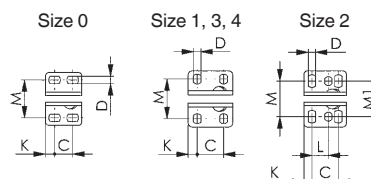
Vertical toggle clamp with black handle



Order no.	Size	F1 [kN]	F2 [kN]	Clamping screw	Weight [g]
558164	0	0,5	0,7	M4x25	60
558165	1	0,6	1,1	M5x30	105
558166	2	0,8	1,2	M6x35	175
558167	3	1,2	2,5	M8x45	410
558168	4	1,7	3,0	M8x65	630



CAD



Dimensions:

Size	A	B	C	D	E	F	H	H1	HW min.	HW max.	I	K	L	L1	L2	M	M1	N	P	α	α*
0	4	31	8,5-13,5	4,5	14,0	5,5	18,0	81	-1,5	3,5	8	5,5	-	49	50	23	-	32	27	95°	-
1	5	39	16,0	4,5	18,0	6,0	19,0	98	-4,0	2,0	10	5,5	-	61	58	22-26	-	34	27	95°	-
2	6	52	20,0	5,5	25,0	11,0	23,0	129	-3,3	4,5	12	6,0	12,5	78	80	23-31	27	43	32	105°	60°
3	8	79	20,0	7,5	37,0	19,0	33,0	186	3,0	10,5	18	7,5	-	112	112	32	-	46	35	105°	60°
4	10	101	32,0	8,6	54,0	16,0	42,5	221	-6,0	19,5	20	13,0	-	141	130	45	-	64	53	105°	60°

* The opening angle can be changed by pressing in a stop pin.

Subject to technical alterations.

No. 6803NI

Vertical toggle clamp with red handle

with open clamping arm and angle base.

Stainless steel, polished. Rivets running in greased bushes. Ergonomic, oil-resistant handle with large grip surface and soft components.

Supplied complete with stainless clamping screw no. 6890NI.

Also suitable for use in the food industry.

Order no.	Size	F1 [kN]	F2 [kN]	Clamping screw	Weight [g]
95133	2	0,8	1,2	M6x35	220



No. 6803NIY

Vertical toggle clamp with yellow handle



Order no.	Size	F1 [kN]	F2 [kN]	Clamping screw	Weight [g]
557273	2	0,8	1,2	M6x35	220

No. 6803NIJ

Vertical toggle clamp with orange handle



Order no.	Size	F1 [kN]	F2 [kN]	Clamping screw	Weight [g]
557438	2	0,8	1,2	M6x35	220

No. 6803NIE

Vertical toggle clamp with blue handle



Order no.	Size	F1 [kN]	F2 [kN]	Clamping screw	Weight [g]
557759	2	0,8	1,2	M6x35	220

Subject to technical alterations.

No. 6803NIG

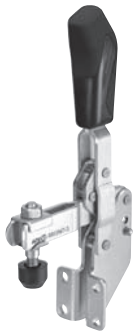
Vertical toggle clamp with green handle



Order no.	Size	F1 [kN]	F2 [kN]	Clamping screw	Weight [g]
557595	2	0,8	1,2	M6x35	220

No. 6803NIT

Vertical toggle clamp with black handle



Order no.	Size	F1 [kN]	F2 [kN]	Clamping screw	Weight [g]
558169	2	0,8	1,2	M6x35	220

Recommendations



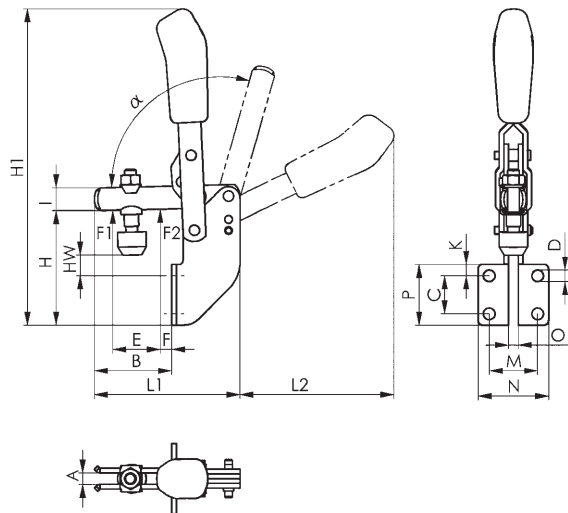
No. 6847NI,
page 96



No. 6848VNI,
page 102



No. 6844NI,
page 94



CAD

Dimensions:

Size	A	B	C	D	E	F	H	H1	HW min.	HW max.	I	K	L1	L2	M	N	O	P	α	α^*
2	6	41	20	6,1	25	6	60	167	8	15	12	6	77	81	25,5	37	5	32	105°	60°

* The opening angle can be changed by pressing in a stop pin.

Subject to technical alterations.

No. 6830NI

Horizontal toggle clamp with red handle

with open clamping arm and horizontal base.

Stainless steel, polished. In sizes 2 to 5, rivets run in bearing bushes. Bearings are pre-lubricated.

Ergonomic, oil-resistant handle with large grip surface and soft components.

Supplied complete with stainless clamping screw no. 6890NI.

Also suitable for use in the food industry.



Order no.	Size	F1 [kN]	F2 [kN]	Clamping screw	Weight [g]
95141	0	0,25	0,4	M4x25	35
95166	1	0,80	1,1	M5x30	105
95182	2	1,00	1,2	M6x35	185
95208	3	1,80	2,5	M8x45	320
95224	4	2,00	3,0	M8x65	700

Note:

For suitable sensor monitor for size 3 see no. 6897S.

No. 6830NIY

Horizontal toggle clamp with yellow handle



Order no.	Size	F1 [kN]	F2 [kN]	Clamping screw	Weight [g]
557274	0	0,25	0,4	M4x25	35
557275	1	0,80	1,1	M5x30	105
557276	2	1,00	1,2	M6x35	185
557277	3	1,80	2,5	M8x45	320
557278	4	2,00	3,0	M8x65	700

No. 6830NIJ

Horizontal toggle clamp with orange handle



Order no.	Size	F1 [kN]	F2 [kN]	Clamping screw	Weight [g]
557439	0	0,25	0,4	M4x25	35
557440	1	0,80	1,1	M5x30	105
557441	2	1,00	1,2	M6x35	185
557442	3	1,80	2,5	M8x45	320
557443	4	2,00	3,0	M8x65	700

No. 6830NIE

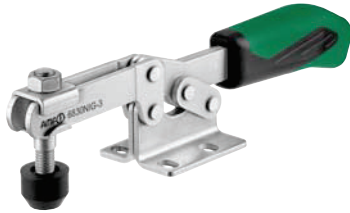
Horizontal toggle clamp with blue handle



Order no.	Size	F1 [kN]	F2 [kN]	Clamping screw	Weight [g]
557760	0	0,25	0,4	M4x25	35
557761	1	0,80	1,1	M5x30	105
557762	2	1,00	1,2	M6x35	185
557763	3	1,80	2,5	M8x45	320
557764	4	2,00	3,0	M8x65	700

No. 6830NIG

Horizontal toggle clamp with green handle



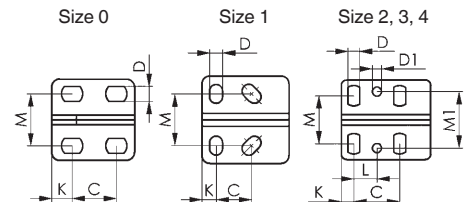
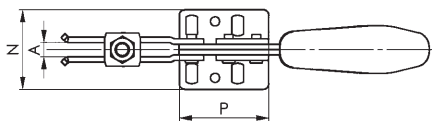
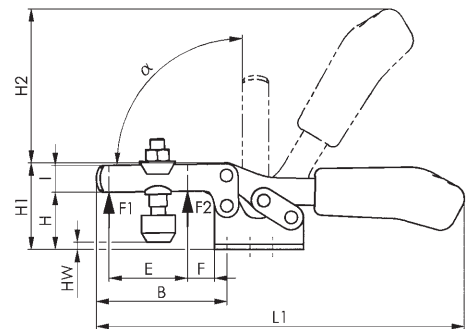
Order no.	Size	F1 [kN]	F2 [kN]	Clamping screw	Weight [g]
557596	0	0,25	0,4	M4x25	35
557597	1	0,80	1,1	M5x30	105
557598	2	1,00	1,2	M6x35	185
557599	3	1,80	2,5	M8x45	320
557600	4	2,00	3,0	M8x65	700

No. 6830NIT

Horizontal toggle clamp with black handle



Order no.	Size	F1 [kN]	F2 [kN]	Clamping screw	Weight [g]
558170	0	0,25	0,4	M4x25	35
558171	1	0,80	1,1	M5x30	105
558172	2	1,00	1,2	M6x35	185
558173	3	1,80	2,5	M8x45	320
558174	4	2,00	3,0	M8x65	700



Recommendations



No. 6897S, page 162



No. 6800NI, page 84



No. 6847KNI, page 97

Dimensions:

Size	A	B	C	D	D1	E	F	H	H1	H2	HW min.	HW max.	I	K	L	L1	M	M1	N	P	α
0	4	28	11,5-15,5	4,6	-	9,0	5	14,5	23,0	34	-5,0	0,6	7,5	6,25	-	79	16,0	-	25,0	25,5	90°
1	5	42	13,3-14,7	5,2	-	18,6	8	19,0	30,0	49	-4,0	2,0	10,0	5,50	-	120	18,0-21,5	-	34,0	34,0	90°
2	6	64	26,0	5,6	5,6	32,0	16	24,0	45,0	68	-1,6	5,0	13,0	6,00	12,7	162	19,5-29,5	28,5	42,0	38,0	90°
3	8	73	25,7	6,5	5,1	36,0	14	32,0	48,5	86	-2,0	9,0	15,0	7,00	13,0	206	22,0-31,8	31,6	44,5	50,0	90°
4	10	113	41,0	8,5	8,5	63,0	27	45,0	75,0	126	-4,0	24,0	20,0	8,00	20,5	287	29,0-43,0	43,0	58,0	57,0	90°

Subject to technical alterations.

No. 68300NI

Horizontal toggle clamp plus with red handle

with increased retaining forces, open clamp arm and horizontal base. Stainless steel, polished. Bearings positioned are lubricated. Ergonomic, oil-resistant handle with large grip surface and soft components. Safety clamping piece with retainer for the clamping screw at the end of the clamping arm. Supplied complete with stainless clamping screw no. 68301NI. Also suitable for use in the food industry.

Order no.	Size	F1 [kN]	F2 [kN]	Clamping screw	Weight [g]
560013	1	1,1	1,7	M5 x 35	150
555175	2	1,6	3,0	M6 x 50	450
558985	3	2,5	4,0	M8 x 58	600
555176	4	3,5	8,0	M10 x 76	1250



No. 68300NIY

Horizontal toggle clamp plus with yellow handle



Order no.	Size	F1 [kN]	F2 [kN]	Clamping screw	Weight [g]
560157	1	1,1	1,7	M5 x 35	150
557279	2	1,6	3,0	M6 x 50	450
560158	3	2,5	4,0	M8 x 58	600
557280	4	3,5	8,0	M10 x 76	1250

No. 68300NIJ

Horizontal toggle clamp plus with orange handle



Order no.	Size	F1 [kN]	F2 [kN]	Clamping screw	Weight [g]
560163	1	1,1	1,7	M5 x 35	150
557444	2	1,6	3,0	M6 x 50	450
560164	3	2,5	4,0	M8 x 58	600
557445	4	3,5	8,0	M10 x 76	1250

No. 68300NIE

Horizontal toggle clamp plus with blue handle



Order no.	Size	F1 [kN]	F2 [kN]	Clamping screw	Weight [g]
560159	1	1,1	1,7	M5 x 35	150
557765	2	1,6	3,0	M6 x 50	450
560160	3	2,5	4,0	M8 x 58	600
557766	4	3,5	8,0	M10 x 76	1250

Subject to technical alterations.

No. 68300NIG

Horizontal toggle clamp plus with green handle



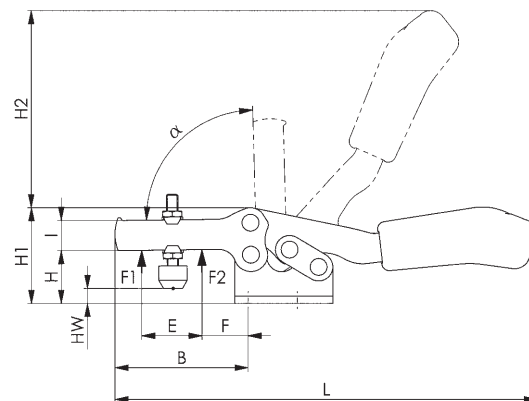
Order no.	Size	F1 [kN]	F2 [kN]	Clamping screw	Weight [g]
560161	1	1,1	1,7	M5 x 35	150
557601	2	1,6	3,0	M6 x 50	450
560162	3	2,5	4,0	M8 x 58	600
557602	4	3,5	8,0	M10 x 76	1250

No. 68300NIT

Horizontal toggle clamp plus with black handle



Order no.	Size	F1 [kN]	F2 [kN]	Clamping screw	Weight [g]
560165	1	1,1	1,7	M5 x 35	150
558175	2	1,6	3,0	M6 x 50	450
560166	3	2,5	4,0	M8 x 58	600
558176	4	3,5	8,0	M10 x 76	1250



CAD

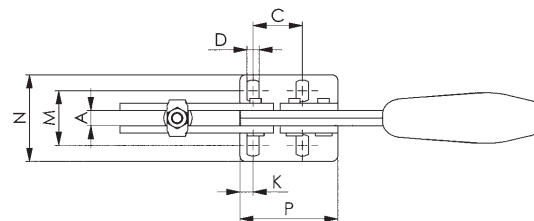
Recommendations



No. 68301NI,
page 165



No. 6800NI,
page 84



Dimensions:

Size	A	B	C	D	E	F	H	H1	H2	HW min.	HW max.	I	K	L	M	N	P	α
1	5	44	13,5	4,3	20,5	15,0	19,6	37	52	1	10,2	12	6,0	125	14,7 - 19,5	27,2	40	80°
2	8	71	26,0	6,5	39,0	14,0	28,0	51	110	-1	12,0	16	7,0	224	23,5 - 34,0	46,0	52	90°
3	8	74	26,2	6,5	41,5	20,6	35,0	61	112	1	13,0	18	6,5	243	27,5 - 38,0	49,2	56	90°
4	10	120	41,5	8,6	69,0	23,0	41,0	77	135	-2	17,5	24	10,5	329	34,5 - 45,0	60,0	76	90°

Subject to technical alterations.