

## No. 6203S4L-001

### 4-point clamping station

Main body: Aluminium, anodised.  
Repeat accuracy < 0.02 mm.



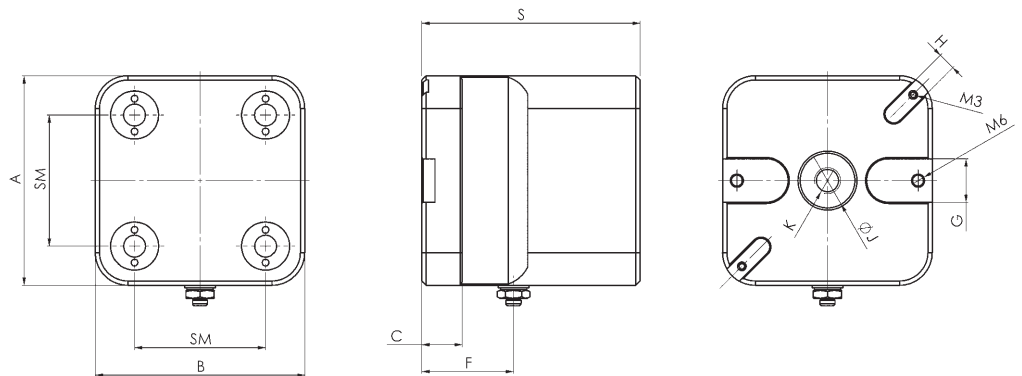
Order no.	Size	Pull-in/locking force up to	Holding force*	Weight
		[N]	[N]	[g]
533034	K02	4 x 235	4 x 6000	2400

#### Design:

Pneumatic 4-point clamping station with air gun valve for quick opening and closing via air gun. The clamping station has two clamping slots on the side for fastening to the machine table. In addition, positioning slots for aligning on the machine table are made on the underside. The holder for a pull-stud is also provided in the K20 version.

#### Note:

\* Please observe the installation instructions.



#### Dimensions:

Order no.	Size	A	B	C	F	G	H	dia. J	K	S	SM
533034	K02	96	96	15	42	20	8	25	M12	100	60



## No. 6203PS4-001

### Interchangeable pallet

High-strength aluminium, anodised.



Order no.	Size	A	B	S	SM	Weight [g]
533059	K02	98	98	20	60	530

#### Design:

Interchangeable pallet for 4-point clamping station K02 with 4 pull-studs.

#### Note:

On request, we can incorporate mounting holes according to your specifications in the change pallet.

#### On request:

Other dimensions, pitch spacings and number of equipped pull-studs.

