

No. 6210IL

Assembly element K10.3 and K20, pneumatic, with indexing

Housing: tempered steel, gas-nitrided and oxidised.
Clamping module: cover and piston hardened.



Order no.	Size	Pull-in/locking force up to	Holding force*	Weight
		[kN]	[kN]	[g]
534495	K10.3	10	25	7668
534453	K20	17	55	7162

Application:

The assembly element is used to clamp workpieces or fixtures with repetition accuracy directly onto the pneumatic clamping modules K10.3 and K20 using pull-studs.

This clamping system can be used to move workpieces to the required machining height in the machine for 5-sided machining, or for the safe and quick clamping of workpieces with ledges and different clamping heights on the machine table.

Thanks to the quadruple 90° indexing option, workpieces under large machining forces can be secured to prevent radial distortion.

Advantage:

Simple, quick and flexible clamping of complex workpiece contours on the machine table. Especially suitable for levelling workpieces or clamping fixtures at the necessary machine heights in the machine tool and for the reliable clamping of same.

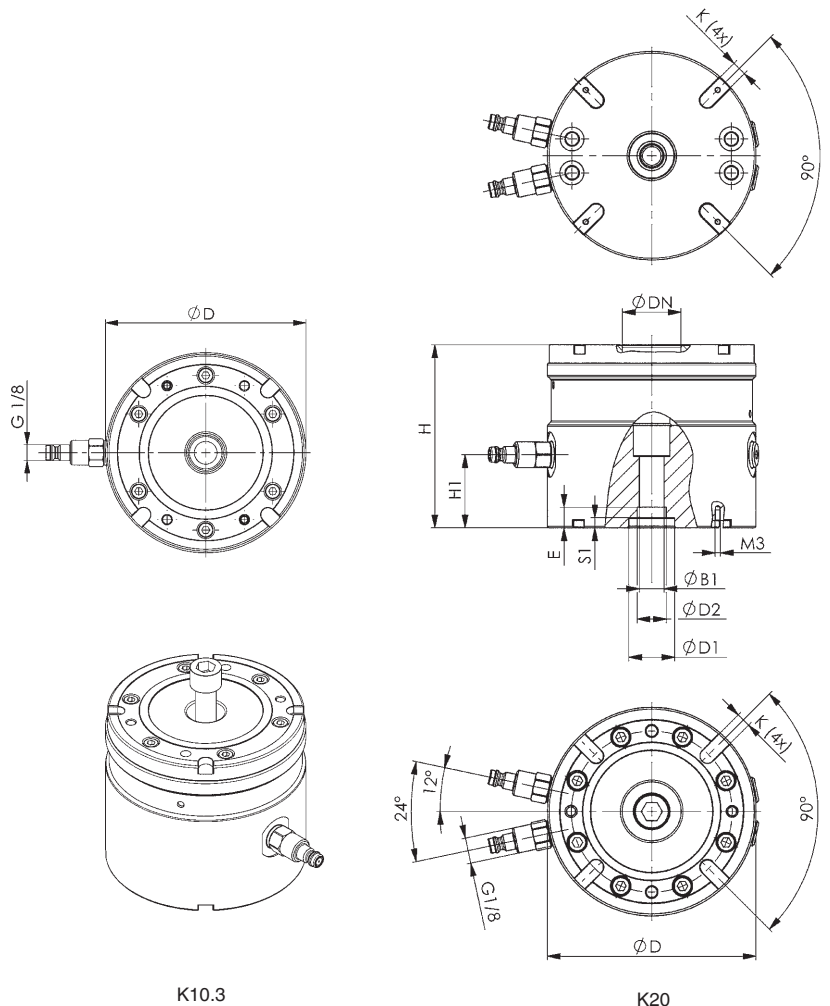
Note:

Order no. for the centering sleeve \varnothing 16 mm: 78006

Order no. for the slot nuts: 430264

The pneum. quick-release coupling, connector version, and the fastening screw are supplied as standard.

* Please observe the installation instructions.



K10.3

K20

Dimensions:

Order no.	Size	dia. B1	dia. D	dia. D1 0/+0,01	dia. D2 F7	dia. DN	E	H $\pm 0,01$	H1	K F6	S1
534495	K10.3	13	114	25	16	22	11,25	100	40	8	5,5
534453	K20	13	114	25	16	32	11,25	100	40	8	5,5



CAD