

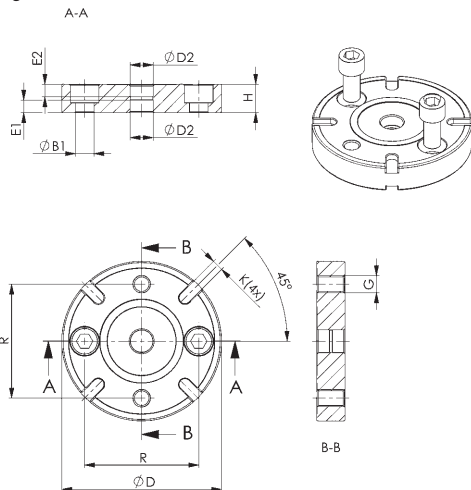
No. 6210IZ

Intermediate element, with indexing

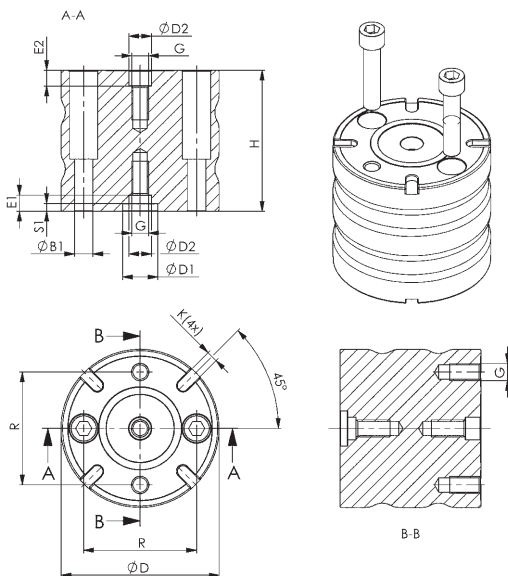
Tempered steel, plasma-nitrided and burnished.



Height 20 and 30 mm



From height 40 mm



Order no.	Size	H ±0.01	Weight [g]
531996	K10	20	632
559684	K10	28	940
532010	K10	30	987
532036	K10	40	1327
532051	K10	50	1651
532077	K10	60	2001
532093	K10	80	2713
532119	K10	100	3429
532135	K20	20	1361
532150	K20	30	2087
532176	K20	40	2788
532192	K20	50	3439
532218	K20	60	4165
532234	K20	80	5632
532242	K20	100	6980

Application:

The intermediate elements with indexing are used as height adapters for workpieces and clamping fixtures, and are mounted to the main elements. Workpieces are clamped by means of assembly elements.

This clamping system can be used to move workpieces to the required machining height in the machine for 5-sided machining, or for the safe and quick clamping of workpieces with ledges and different clamping heights on the machine table.

Thanks to the 4-point 90° indexing option, workpieces under strong machining forces can be secured to prevent radial distortion.

Advantage:

Simple, quick and flexible clamping of complex workpiece contours on the machine table. Especially suitable for levelling workpieces or clamping fixtures at the necessary machine heights in the machine tool and for the reliable clamping of same.

Note:

For the adaptation to zero point clamping modules, with the exception of the installation heights H20 and 30, the mounting bore for the pull-stud, corresponding to size K10 and K20, is already made in the intermediate element.

If two or more spacer elements are used, they can be axially aligned and then bolted using centring sleeves. The fastening bolts are supplied as standard.

When fastening to AMF grid plates, pay attention to bolt lengths!

Order numbers of the centring sleeves:

- size K10: order no. 535732

- size K20: order no. 78006

Order number for the T-nuts: 430264

Dimensions:

Order no.	Size	dia. B1	dia. D	dia. D1 0/+0,01	dia. D2 F7	Screw DIN84 or ISO4762	E1	E2	G	K F6	R	S1
531996	K10	9	78	-	15	M8x30	5,0	13,0	M8	8	50	-
559684	K10	9	78	-	15	M8x30	5,0	13,0	M8	8	50	-
532010	K10	9	78	-	15	M8x30	5,0	13,0	M8	8	50	-
532036	K10	9	78	15	15	M8x30	5,0	13,0	M8	8	50	3,5
532051	K10	9	78	15	15	M8x50	5,0	13,0	M8	8	50	3,5
532077	K10	9	78	15	15	M8x50	5,0	13,0	M8	8	50	3,5
532093	K10	9	78	15	15	M8x50	5,0	13,0	M8	8	50	3,5
532119	K10	9	78	15	15	M8x50	5,0	13,0	M8	8	50	3,5
532135	K20	13	112	-	16	M12x25	9,0	9,0	M12	8	80	-
532150	K20	13	112	-	16	M12x25	11,5	11,25	M12	8	80	-
532176	K20	13	112	25	16	M12x25	11,5	11,25	M12	8	80	5,5
532192	K20	13	112	25	16	M12x55	11,5	11,25	M12	8	80	5,5
532218	K20	13	112	25	16	M12x55	11,5	11,25	M12	8	80	5,5
532234	K20	13	112	25	16	M12x55	11,5	11,25	M12	8	80	5,5
532242	K20	13	112	25	16	M12x55	11,5	11,25	M12	8	80	5,5