

No. 6370S2-001

2-point clamping station

Hydraulic unlocking.
 Opening operating pressure: min. 50 bar - max. 60 bar.
 Clamping modules' contact surface: Steel, stainless and hardened.
 Base plate: Steel, unhardened.
 Repetition accuracy < 0.005 mm.



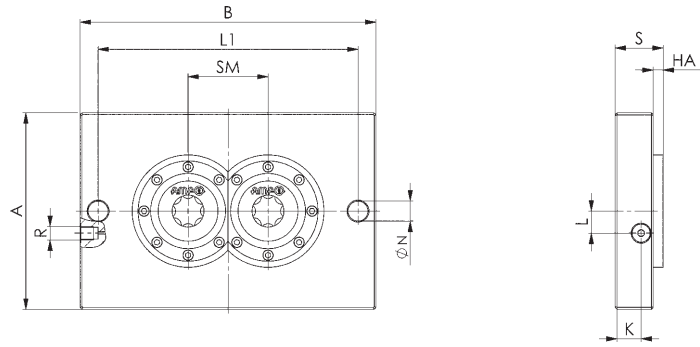
Order no.	Size	Pull-in/locking force up to	Holding force*	Weight
		[kN]	[kN]	[Kg]
303263	K20	2 x 20	2 x 55	18
303271	K40	2 x 40	2 x 105	33

Note:

On request, we can incorporate fastening bores in the base plate according to your requirements. The correct quick-release coupling is available under the order no.:

- 427872 for sleeve
- 427856 for plug

* Please observe the installation instructions.



Dimensions:

Order no.	Size	A	B	HA	K	L	L1	dia. N	R	S	SM
303263	K20	196	296	10	26	22	260	20	G1/4	48	80
303271	K40	246	346	15	33	22	300	25	G1/4	62	110

CAD



No. 6370S2-002

2-point clamping station

Hydraulic unlocking.
 Opening operating pressure: min. 50 bar - max. 60 bar.
 Clamping modules' contact surface: Steel, stainless and hardened.
 Base plate: Steel, unhardened.
 Repetition accuracy < 0.005 mm.



Order no.	Size	Pull-in/locking force up to	Holding force*	Weight
		[kN]	[kN]	[Kg]
426726	K10	2 x 10	2 x 25	7,5
303289	K20	2 x 20	2 x 55	22,9
303297	K40	2 x 40	2 x 105	59,8

Note:

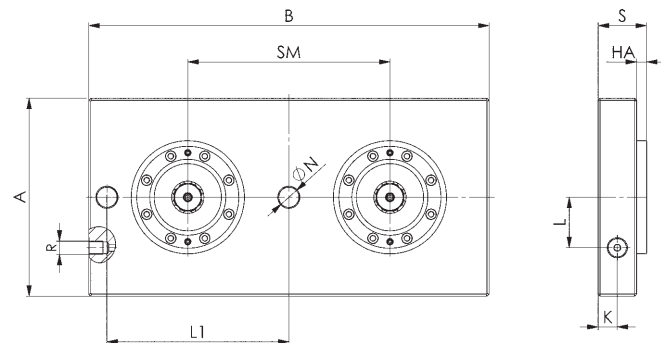
On request, we can incorporate fastening bores in the base plate according to your requirements. The correct quick-release coupling is available under the order no.:

- 427872 for sleeve
- 427856 for plug

* Please observe the installation instructions.

On request:

Other dimensions, insertion dimensions and number of clamping nipples equipped.



Dimensions:

Order no.	Size	A	B	HA	K	L	L1	dia. N	R	S	SM
426726	K10	146	240	7	15	35	100	20	G1/4	33	100
303289	K20	196	396	10	19	50	180	20	G1/4	48	200
303297	K40	296	546	15	24	65	250	25	G1/4	62	320

CAD

