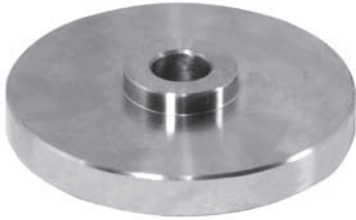


No. 6370ZA

Protective shield

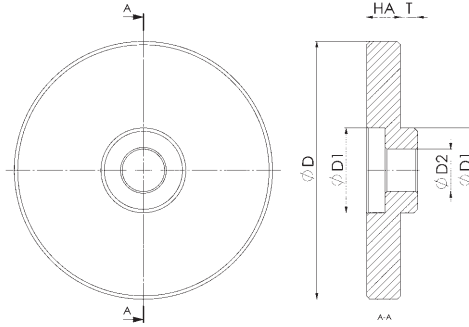
Not burnished, for engagement screw No. 6370ZNSA.



Order no.	Size	dia. D	dia. D1	dia. D2	HA	T	Weight [g]
422345	K10	50	15	8,5	7	3	100
422360	K20	76	25	12,5	10	5	340
422386	K40	112	25	16,8	15	5	1130

Application:

The protective shield is used when through-holes must be set in the area of the module cover. As a result, the module cover is protected from damage.



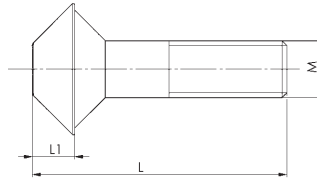
No. 6370ZNSA

Engagement screw for protective shield

Strength class 12.9.



Order no.	Size	Holding force [kN]	L	L1	M	SW	Weight [g]
422402	K10	17	44	6	M8	6	33
422428	K20	43	64	9	M12	8	80
422444	K40	75	84	10	M16	14	145



No. 6214M-01-04

Actuating pin

Not hardened, for mechanical clamping module 6214M-01.



NEW!

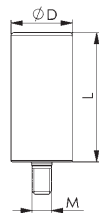
Order no.	dia. D	L	M	Weight [g]
561391	9,5	20	M3	13

Application:

The extended actuating pin is used for higher interchangeable pallets.

Note:

The actuating pin in the K01 clamping module 6214M-01 can be replaced by the extended actuating pin.



Subject to technical alterations.