

No. 6370ZAS

Cover ring for clamping modules

Material: Aluminium



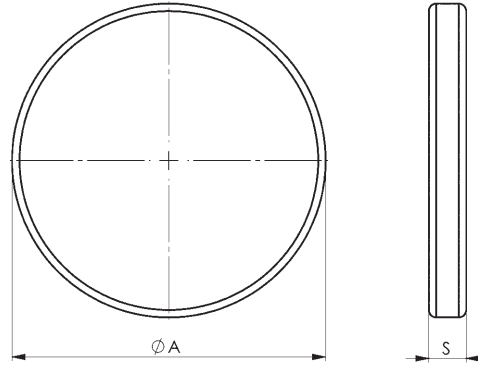
Order no.	Size	dia. A	S	Weight [g]
552810	K10	84	10	80
552811	K10.2, K10.3, K20	118	11	160
552812	K20.3	146	13	260
552813	K40	156	13	290

Design:

Cover and protective shield made of aluminium for ZPS clamping modules. These protect the contact surface of the clamping modules and are attached to the outside diameter by a pretensioned O-ring.

Application:

Cover and protective shields are used to protect the contact surface of the ZPS clamping modules from environmental influences.



No. 6370ZAR

Cover ring for clamping modules

Stainless steel, self-adhesive.



Order no.	Size	Weight [g]
550281	K10.2	4
550282	K10.3	4
550283	K10	4
550284	K20	5
550285	K40	6

Design:

Stainless steel, one-side self-adhesive with removable film.

Selected sizes are suitable for installation and construction clamping modules.

Application:

Protective cover for clamping modules prevents build-up of dirt and chips.

Note:

Not suitable for clamping module with indexing, square clamping module and heavy-duty module. It must be noted that the adhesive used has only limited suitability for the use of coolant lubricants.



Subject to technical alterations.