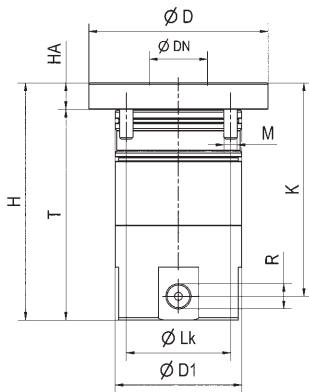


No. 6370KARH

Compact cylinder

Hydraulic opening.
Opening operating pressure: min. 50 bar - max. 60 bar.
Cover and piston hardened.
Repeatability < 0.005 mm.



Order no.	Size	Pull-in/locking force up to	Holding force*	Weight
		[kN]	[kN]	[Kg]
303503	K10	1,3	25	2,5

Application:

For retrofitting to modular profiles, columns, tombstones and cubes. Can be used with thin wall sections.

Note:

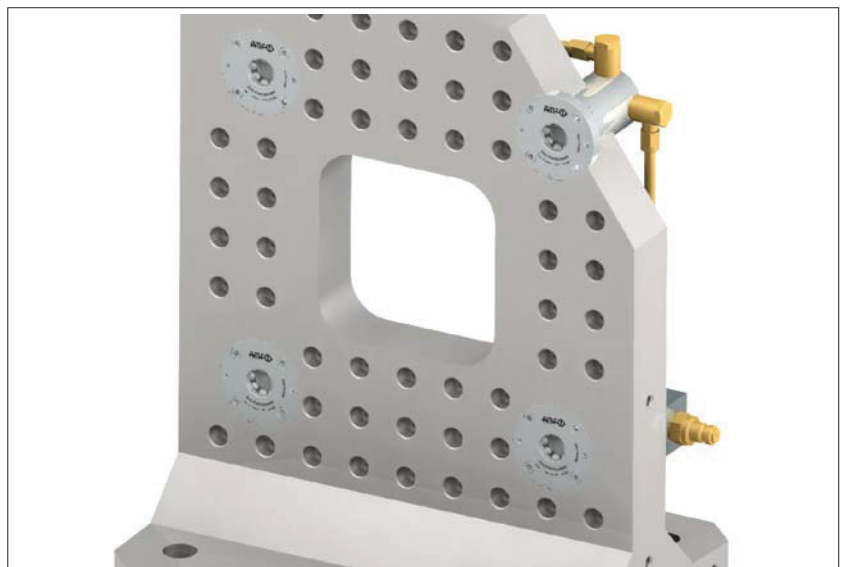
There are 5 standard connection options. 4 connections are installed laterally on the outside surface at a 90° angle. Connection is also possible in the base of the compact cylinder.
* Please observe the installation instructions.

On request:

- Installation diagrams

Dimensions:

Order no.	Size	dia. D	dia. DN	dia. D1	H	HA	K	dia. LK	M	R	T
303503	K10	68	22	48	90	10	81	4x56	M6	G1/8	80



Subject to technical alterations.

CAD

