

COMPACT FITTINGS, IP 66 / IP 67, NICKEL PLATED BRASS



Anaconda compact fittings, UL & CSA, nickel plated brass, for Anaconda Sealrite

Anaconda compact nickel plated brass fittings can be used with all types of Anaconda Sealrite conduit with the exception of Type CNP. The Anaconda compact range contains less material, are shorter in length and lighter in weight than the Anaconda standard range of fittings. They are ideal in standard applications and installations where space is limited. The fittings have a flanged ferrule which ensures a secure connection between fitting and conduit. Anaconda compact fittings are UL & CSA approval and are corrosion resistant. The Anaconda range of cable-hose fittings feature a double clamping rubber system which complies with EN45545-2 and are approved for use in the OEM train building industry.

Construction: Nickel plated brass fitting, consisting of 4 parts (counter nut, clamping ring, ferrule and body).

Material: Counter nut and body are nickel plated brass. Clamping ring is made from PA6 and the ferrule is made from galvanised steel. The O-rings are from NBR rubber (black for ISO and blue for Pg). The clamping rubbers of the cable hose fittings are made from EPDM.

Special approvals: UL-514B and CSA C 22.2 (combined UL/CSA (CUL) file # E 234207). Suitable for use in hazardous environments according to NEC:

- Article 501.10 (B) (2) Class I, Division 2
- Article 502.10 (A) (2) and (B) (2) Class II, Division 1 and 2
- Article 503.10 (A) (3) and (B) Class III, Division 1 and 2

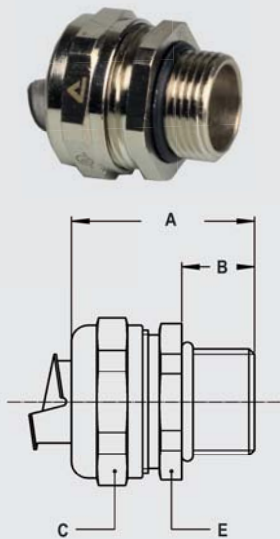
Note *: Sizes 1/4", 5/16", 2.1/2" and 3" do not have UL/CSA approval. The cable-hose fittings have clamping rubbers from flame retardant V0-rated EPDM and are HL 1, HL 2 and HL 3 according EN 45545-2, R22 and R23.

Temperature: -45 °C till +105 °C continuous

Protection class: IP 66, IP 67, NEMA 4X.

Cable hose fittings are IP 68 on the switchbox.

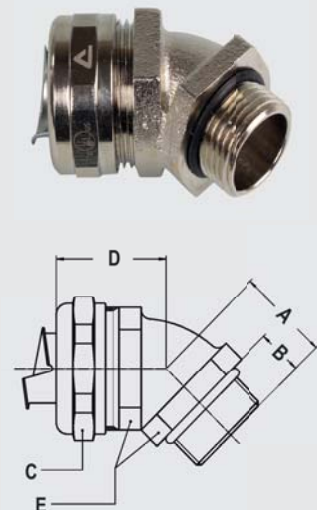
Colour: Metal



ISO straight fitting, compact, male, nickel plated brass.



Thread	Sealrite	Min. Internal	Dimensions in mm					Standard	Article	Weight
ISO	Size (NW)	Bore (mm)	A	B	C	D	E	Package	Number	(Kg/100)
M16 x 1,5	5/16"	8,3	31	10	26	-	24	10	712.015.0*	4,3
M20 x 1,5	5/16"	8,3	31	10	26	-	24	10	712.014.0*	4,4
M16 x 1,5	3/8"	11,0	31	10	26	-	24	10	712.016.1	3,9
M20 x 1,5	3/8"	11,0	31	10	26	-	24	10	712.017.1	4,0
M20 x 1,5	1/2"	14,5	32	10	29	-	27	10	712.020.1	4,4
M25 x 1,5	3/4"	19,4	33	10	35	-	33	5	712.025.1	6,6
M32 x 1,5	1"	24,7	36	12	45	-	42	5	712.032.1	11,7
M40 x 1,5	1.1/4"	33,3	40	13	53	-	50	2	712.040.1	16,0
M50 x 1,5	1.1/2"	38,0	46	14	62	-	58	2	712.050.1	25,3
M63 x 1,5	2"	49,0	52	16	76	-	72	2	712.063.1	38,6
M75 x 1,5	2.1/2"	60,7	62	20	90	-	85	1	712.075.1*	74,8
M90 x 2,0	3"	75,5	70	24	108	-	102	1	712.090.1*	107,0

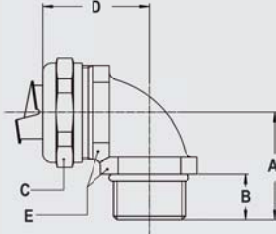


ISO 45° fitting, compact, male, nickel plated brass



Thread	Sealrite	Min. Internal	Dimensions in mm					Standard	Article	Weight
ISO	Size (NW)	Bore (mm)	A	B	C	D	E	Package	Number	(Kg/100)
M16 x 1,5	5/16"	8,3	19	10	26	27	22	10	712.415.0*	6,7
M20 x 1,5	5/16"	8,3	20	10	26	28	24	10	712.414.0*	7,6
M16 x 1,5	3/8"	11,0	19	10	26	27	22	10	712.416.1	6,3
M20 x 1,5	3/8"	11,0	20	10	26	28	24	10	712.417.1	7,2
M20 x 1,5	1/2"	14,5	21	10	29	30	27	10	712.420.1	8,3
M25 x 1,5	3/4"	19,4	23	10	35	33	33	5	712.425.1	12,8
M32 x 1,5	1"	24,7	28	12	45	38	42	5	712.432.1	22,5
M40 x 1,5	1.1/4"	33,3	33	13	53	39	52	2	712.440.1	34,5
M50 x 1,5	1.1/2"	38,0	35	14	62	46	60	2	712.450.1	50,0
M63 x 1,5	2"	49,0	40	16	76	53	72	2	712.463.1	80,5
M75 x 1,5	2.1/2"	60,7	51	20	90	65	85	1	712.475.1*	146,0

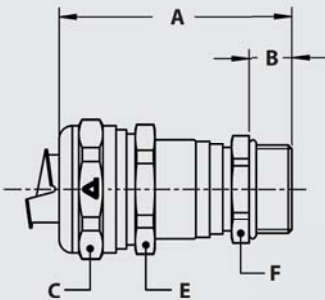
COMPACT FITTINGS, IP 66 / IP 67, NICKEL PLATED BRASS



ISO 90° fitting, compact, male, nickel plated brass



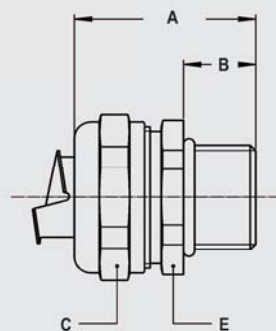
Thread	Sealtite	Min. Internal	Dimensions in mm					Standard	Article	Weight
ISO	Size (NW)	Bore (mm)	A	B	C	D	E	Package	Number	(Kg/100)
M16 x 1,5	5/16"	8,3	26	10	26	31	22	10	712.915.0*	7,0
M20 x 1,5	5/16"	8,3	26	10	26	32	24	10	712.914.0*	8,3
M16 x 1,5	3/8"	11,0	26	10	26	31	22	10	712.916.1	6,6
M20 x 1,5	3/8"	11,0	26	10	26	32	24	10	712.917.1	7,9
M20 x 1,5	1/2"	14,5	28	10	29	34	27	10	712.920.1	9,2
M25 x 1,5	3/4"	19,4	32	10	35	40	33	5	712.925.1	16,2
M32 x 1,5	1"	24,7	40	12	45	49	42	5	712.932.1	27,8
M40 x 1,5	1.1/4"	33,3	46	13	53	53	52	2	712.940.1	40,1
M50 x 1,5	1.1/2"	38,0	52	14	62	57	60	2	712.950.1	57,5
M63 x 1,5	2"	49,0	62	16	76	68	72	2	712.963.1	90,6
M75 x 1,5	2.1/2"	60,7	75	20	90	87	85	1	712.975.1*	186,0



ISO cable-hose fitting, compact, male, nickel plated brass, double seal according to EN 45545-2, HL1 / HL2 / HL3, table R22 and R23



Thread	Sealtite	Clamping	Dimensions in mm					Standard	Article	Weight
ISO	Size (NW)	range (mm)	A	B	C	E	F	Package	Number	(Kg/100)
M12 x 1,5	1/4"	1,0 - 5,2	46	9	19	17	14	10	712.712.2	4,0
M16 x 1,5	1/4"	1,0 - 5,2	47	10	19	17	18	10	712.713.2	4,7
M16 x 1,5	5/16"	4,0 - 8,3	50	10	22	20	18	10	712.715.2	5,7
M20 x 1,5	5/16"	4,0 - 8,3	50	10	22	20	22	10	712.714.2	6,4
M16 x 1,5	3/8"	4,0 - 9,5	50	10	26	24	18	10	712.716.1	6,8
M20 x 1,5	3/8"	4,0 - 9,5	50	10	26	24	22	10	712.717.1	7,4
M20 x 1,5	1/2"	6,0 - 13,0	53	10	29	27	22	10	712.720.1	7,6
M25 x 1,5	1/2"	6,0 - 13,0	54	10	29	27	27	5	712.722.1	9,0
M25 x 1,5	3/4"	10,0 - 18,0	56	10	35	33	27	5	712.725.1	11,7
M32 x 1,5	3/4"	10,0 - 18,0	58	12	35	33	35	5	712.728.1	15,0
M32 x 1,5	1"	16,0 - 25,0	61	12	45	42	35	5	712.732.1	20,3
M40 x 1,5	1"	16,0 - 25,0	63	13	45	42	43	2	712.735.1	24,5
M40 x 1,5	1.1/4"	22,0 - 32,0	69	13	53	50	43	2	712.740.1	28,6



Pg straight fitting, compact, male, nickel plated brass

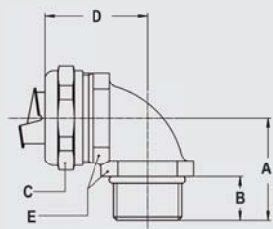


Thread	Sealtite	Min. Internal	Dimensions in mm					Standard	Article	Weight
Pg	Size (NW)	Bore (mm)	A	B	C	D	E	Package	Number	(Kg/100)
Pg 11	5/16"	8,3	31	10	26	-	24	10	710.012.0*	4,4
Pg 13,5	5/16"	8,3	31	10	26	-	24	10	710.014.0*	4,6
Pg 11	3/8"	11,0	31	10	26	-	24	10	710.011.1	4,0
Pg 13,5	3/8"	11,0	31	10	26	-	24	10	710.013.1	4,2
Pg 16	1/2"	14,5	32	10	29	-	27	10	710.016.1	4,5
Pg 21	3/4"	19,4	33	10	35	-	33	5	710.021.1	6,5
Pg 29	1"	24,7	36	12	45	-	44	5	710.029.1	12,2
Pg 36	1.1/4"	33,3	40	13	53	-	52	2	710.036.1	16,4
Pg 42	1.1/2"	38,0	46	14	62	-	60	2	710.042.1	26,3
Pg 48	2"	49,0	52	16	76	-	72	2	710.048.1	38,6

Note *: Sizes 1/4", 5/16", 2.1/2" and 3" do not have UL/CSA approval.

General Index
Anaconda Multiflex
Anaconda Multitite
Anaconda Sealrite
Anaconda Sealrite Spec.
Anaconda Fittings

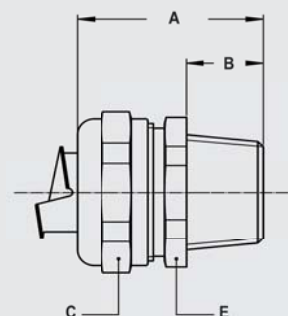
COMPACT FITTINGS, IP 66 / IP 67, NICKEL PLATED BRASS



Pg 90° fitting, compact, male, nickel plated brass



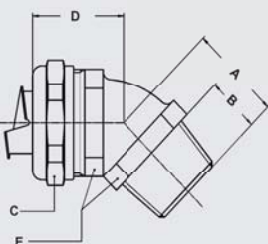
Thread	Sealtite Size (NW)	Min. Internal Bore (mm)	Dimensions in mm					Standard Package	Article Number	Weight (Kg/100)
			A	B	C	D	E			
Pg 11	5/16"	8,3	26	10	26	32	24	10	710.912.0*	8,1
Pg 13,5	5/16"	8,3	26	10	26	32	24	10	710.914.0*	8,4
Pg 11	3/8"	11,0	26	10	26	32	24	10	710.911.1	7,7
Pg 13,5	3/8"	11,0	26	10	26	32	24	10	710.913.1	8,0
Pg 16	1/2"	14,5	28	10	29	34	27	10	710.916.1	9,2
Pg 21	3/4"	19,4	32	10	35	40	33	5	710.921.1	15,7
Pg 29	1"	24,7	40	12	45	49	42	5	710.929.1	28,6
Pg 36	1.1/4"	33,3	46	13	53	53	52	2	710.936.1	40,1
Pg 42	1.1/2"	38,0	52	14	62	57	60	2	710.942.1	57,5
Pg 48	2"	49,0	62	16	76	68	72	2	710.948.1	92,1



NPT straight fitting, compact, male, nickel plated brass



Thread	Sealtite Size (NW)	Min. Internal Bore (mm)	Dimensions in mm					Standard Package	Article Number	Weight (Kg/100)
			A	B	C	D	E			
NPT 1/2"	5/16"	8,3	35	14	26	-	24	10	714.011.0*	4,8
NPT 1/2"	3/8"	11,0	35	14	26	-	24	10	714.012.1	4,4
NPT 1/2"	1/2"	14,5	36	14	29	-	27	10	714.016.1	5,0
NPT 3/4"	3/4"	19,4	37	14	35	-	33	5	714.020.1	7,0
NPT 1"	1"	24,7	40	16	45	-	42	5	714.026.1	12,6
NPT 1.1/4"	1.1/4"	33,3	43	16	53	-	50	2	714.035.1	16,8
NPT 1.1/2"	1.1/2"	38,0	50	18	62	-	58	2	714.040.1	25,8
NPT 2"	2"	49,0	56	20	76	-	72	2	714.050.1	41,2
NPT 2.1/2"	2.1/2"	60,7	67	25	90	-	85	1	714.063.1*	83,6
NPT 3"	3"	75,5	73	27	108	-	102	1	714.075.1*	113,9



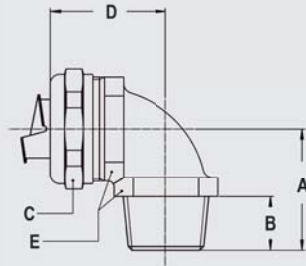
NPT 45° fitting, compact, male, nickel plated brass



Thread	Sealtite Size (NW)	Min. Internal Bore (mm)	Dimensions in mm					Standard Package	Article Number	Weight (Kg/100)
			A	B	C	D	E			
NPT 1/2"	5/16"	8,3	24	14	26	28	24	10	714.412.0*	8,1
NPT 1/2"	3/8"	11,0	24	14	26	28	24	10	714.412.1	7,7
NPT 1/2"	1/2"	14,5	25	14	29	30	27	10	714.416.1	8,8
NPT 3/4"	3/4"	19,4	27	14	35	33	33	5	714.420.1	14,5
NPT 1"	1"	24,7	32	16	45	38	42	5	714.426.1	24,0
NPT 1.1/4"	1.1/4"	33,3	36	16	53	39	52	2	714.435.1	35,5
NPT 1.1/2"	1.1/2"	38,0	39	18	62	46	60	2	714.440.1	51,0
NPT 2"	2"	49,0	44	20	76	53	72	2	714.450.1	85,5
NPT 2.1/2"	2.1/2"	60,7	56	25	90	65	85	1	714.463.1*	155,0
NPT 3"	3"	75,5	61	27	108	74	102	1	714.475.1*	220,0

Note *: Sizes 1/4", 5/16", 2.1/2" and 3" do not have UL/CSA approval.

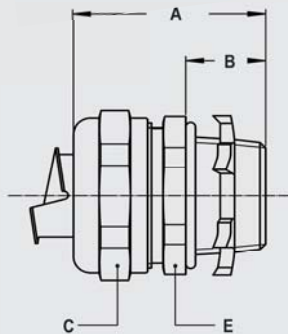
COMPACT FITTINGS, IP 66 / IP 67, NICKEL PLATED BRASS



NPT 90° fitting, compact, male, nickel plated brass



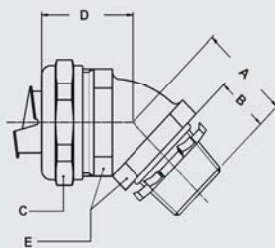
Thread NPT	Sealtite Size (NW)	Min. Internal Bore (mm)	Dimensions in mm					Standard Package	Article Number	Weight (Kg/100)
			A	B	C	D	E			
NPT 1/2"	5/16"	8,3	30	14	26	32	24	10	714.911.0*	8,6
NPT 1/2"	3/8"	11,0	30	14	26	32	24	10	714.912.1	8,2
NPT 1/2"	1/2"	14,5	32	14	29	34	27	10	714.916.1	9,6
NPT 3/4"	3/4"	19,4	36	14	35	40	33	5	714.920.1	16,7
NPT 1"	1"	24,7	44	16	45	49	42	5	714.926.1	28,3
NPT 1.1/4"	1.1/4"	33,3	49	16	53	53	52	2	714.935.1	41,4
NPT 1.1/2"	1.1/2"	38,0	56	18	62	57	60	2	714.940.1	57,3
NPT 2"	2"	49,0	66	20	76	68	72	2	714.950.1	90,8
NPT 2.1/2"	2.1/2"	60,7	80	25	90	87	85	1	714.963.1*	198,0
NPT 3"	3"	75,5	92	27	108	97	102	1	714.975.1*	289,0



NPT straight fitting, compact, male, nickel plated brass (including flat seal and locknut)



Thread NPT	Sealtite Size (NW)	Min. Internal Bore (mm)	Dimensions in mm					Standard Package	Article Number	Weight (Kg/100)
			A	B	C	D	E			
NPT 1/2"	5/16"	8,3	35	14	26	-	24	10	714.011.2*	5,3
NPT 1/2"	3/8"	11,0	35	14	26	-	24	10	714.012.2	4,9
NPT 1/2"	1/2"	14,5	36	14	29	-	27	10	714.016.2	5,5
NPT 3/4"	3/4"	19,4	37	14	35	-	33	5	714.020.2	7,8
NPT 1"	1"	24,7	40	16	45	-	42	5	714.026.2	13,9
NPT 1.1/2"	1.1/2"	33,3	43	16	53	-	50	2	714.035.2	18,6
NPT 2"	2"	38,0	50	18	62	-	58	2	714.040.2	28,0
NPT 2"	2"	49,0	56	20	76	-	72	2	714.050.2	45,0
NPT 2.1/2"	2.1/2"	60,7	67	25	90	-	85	1	714.063.2*	87,1
NPT 3"	3"	75,5	73	27	108	-	102	1	714.075.2*	119,5



NPT 45° fitting, compact, male, nickel plated brass (including flat seal and locknut)



Thread NPT	Sealtite Size (NW)	Min. Internal Bore (mm)	Dimensions in mm					Standard Package	Article Number	Weight (Kg/100)
			A	B	C	D	E			
NPT 1/2"	5/16"	8,3	24	14	26	28	24	10	714.411.2*	8,6
NPT 1/2"	3/8"	11,0	24	14	26	28	24	10	714.412.2	8,2
NPT 1/2"	1/2"	14,5	25	14	29	30	27	10	714.416.2	9,3
NPT 3/4"	3/4"	19,4	27	14	35	33	33	5	714.420.2	15,3
NPT 1"	1"	24,7	32	16	45	38	42	5	714.426.2	25,3
NPT 1.1/4"	1.1/4"	33,3	36	16	53	39	52	2	714.435.2	37,3
NPT 1.1/2"	1.1/2"	38,0	39	18	62	46	60	2	714.440.2	53,2
NPT 2"	2"	49,0	44	20	76	53	72	2	714.450.2	88,3
NPT 2.1/2"	2.1/2"	60,7	56	25	90	65	85	1	714.463.2*	158,3
NPT 3"	3"	75,5	61	27	108	74	102	1	714.475.2*	225,6

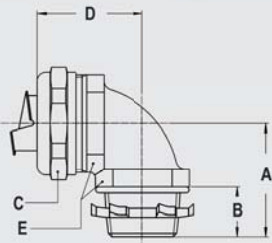
Note *: Sizes 1/4", 5/16", 2.1/2" and 3" do not have UL/CSA approval.

General Index
Anaconda Multiflex
Anaconda Multitite
Anaconda Sealrite
Anaconda Sealrite Spec.
Anaconda Fittings

COMPACT FITTINGS, IP 66 / IP 67, NICKEL PLATED BRASS



NPT 90° fitting, compact, male, nickel plated brass
(including flat seal and locknut)



Thread NPT	Sealtite Size (NW)	Min. Internal Bore (mm)	Dimensions in mm					Standard Package	Article Number	Weight (Kg/100)
			A	B	C	D	E			
NPT 1/2"	5/16"	8,3	30	14	26	32	24	10	714.911.2*	9,1
NPT 1/2"	3/8"	11,0	30	14	26	32	24	10	714.912.2	8,7
NPT 1/2"	1/2"	14,5	32	14	29	34	27	10	714.916.2	10,1
NPT 3/4"	3/4"	19,4	36	14	35	40	33	5	714.920.2	17,5
NPT 1"	1"	24,7	44	16	45	49	42	5	714.926.2	29,6
NPT 1.1/4"	1.1/4"	33,3	49	16	53	53	52	2	714.935.2	43,2
NPT 1.1/2"	1.1/2"	38,0	56	18	62	57	60	2	714.940.2	59,5
NPT 2"	2"	49,0	66	20	76	68	72	2	714.950.2	93,6
NPT 2.1/2"	2.1/2"	60,7	80	25	90	87	85	1	714.963.2*	201,5
NPT 3"	3"	75,5	92	27	108	97	102	1	714.975.2*	294,6

Note *: Sizes 1/4", 5/16", 2.1/2" and 3" do not have UL/CSA approval.



Grounding ferrule, galvanised steel



Thread	Sealtite Size (NW)	Min. Internal Bore (mm)	Dimensions in mm					Standard Package	Article Number	Weight (Kg/100)
			A	B	C	D	E			
-	3/8"	11,0	-	-	-	-	-	50	815.011.2	0,4
-	1/2"	14,5	-	-	-	-	-	50	815.016.2	0,5
-	3/4"	19,4	-	-	-	-	-	25	815.021.2	0,7
-	1"	24,7	-	-	-	-	-	25	815.029.2	1,1
-	1.1/4"	33,3	-	-	-	-	-	10	815.036.2	1,5
-	1.1/2"	38,0	-	-	-	-	-	10	815.042.2	2,1
-	2"	49,0	-	-	-	-	-	10	815.048.2	3,2
-	2.1/2"	60,7	-	-	-	-	-	5	815.063.2	4,3
-	3"	75,5	-	-	-	-	-	5	815.075.2	5,9



ISO lock nuts, nickel plated brass



Thread	Sealtite Size (NW)	Min. Internal Bore (mm)	Dimensions in mm					Standard Package	Article Number	Weight (Kg/100)
			A	B	C	D	E			
M16 x 1,5	-	-	3,0	-	20	-	-	50	880.116.0	0,4
M20 x 1,5	-	-	3,5	-	24	-	-	50	880.120.0	0,6
M25 x 1,5	-	-	3,5	-	30	-	-	25	880.125.0	0,9
M32 x 1,5	-	-	4,5	-	35	-	-	20	880.132.0	2,2
M40 x 1,5	-	-	4,5	-	45	-	-	10	880.140.0	3,2
M50 x 1,5	-	-	5,5	-	55	-	-	10	880.150.0	5,0
M63 x 1,5	-	-	6,0	-	70	-	-	5	880.163.0	5,6
M75 x 1,5	-	-	7,0	-	80	-	-	5	880.175.0	-
M90 x 2,0	-	-	8,0	-	100	-	-	5	880.190.0	-



Neoprene sealing gasket for ISO



Thread ISO	Thread Pg	Thread NPT	Dimensions in mm					Standard Package	Article Number	Weight (Kg/100)
			A	B	C	D	E			
M16 x 1,5	-	-	1,2	-	20	14	-	100	815.416.0	0,03
M20 x 1,5	-	-	1,2	-	24	18	-	100	815.420.0	0,03
M25 x 1,5	-	-	1,2	-	30	23	-	50	815.425.0	0,05
M32 x 1,5	-	-	1,2	-	40	30	-	50	815.432.0	0,11
M40 x 1,5	-	-	1,2	-	48	38	-	50	815.440.0	0,15
M50 x 1,5	-	-	1,2	-	58	48	-	50	815.450.0	0,19
M63 x 1,5	-	-	1,2	-	75	61	-	50	815.463.0	0,33

COMPACT FITTINGS, IP 66 / IP 67, NICKEL PLATED BRASS



Pg lock nuts, nickel plated brass



Thread	Sealtite Size (NW)	Min. Internal Bore (mm)	Dimensions in mm					Standard Package	Article Number	Weight (Kg/100)
			A	B	C	D	E			
Pg 7	-	-	2,9	-	15	-	-	50	880.007.0	0,2
Pg 9	-	-	2,9	-	18	-	-	50	880.009.0	0,2
Pg 11	-	-	2,9	-	21	-	-	50	880.011.0	0,3
Pg 13,5	-	-	3,1	-	23	-	-	50	880.013.0	0,4
Pg 16	-	-	3,1	-	26	-	-	50	880.016.0	0,5
Pg 21	-	-	3,6	-	32	-	-	20	880.021.0	0,8
Pg 29	-	-	4,1	-	41	-	-	20	880.029.0	1,4
Pg 36	-	-	5,1	-	51	-	-	10	880.036.0	2,1
Pg 42	-	-	5,1	-	60	-	-	5	880.042.0	3,6
Pg 48	-	-	5,6	-	64	-	-	5	880.048.0	4,1



NPT lock nuts, nickel plated brass



Thread	Sealtite Size (NW)	Min. Internal Bore (mm)	Dimensions in mm					Standard Package	Article Number	Weight (Kg/100)
			A	B	C	D	E			
NPT 1/2"	-	-	4,0	-	27	-	-	50	880.216.0	1,1
NPT 3/4"	-	-	4,5	-	32	-	-	25	880.220.0	1,4
NPT 1"	-	-	6,0	-	38	-	-	25	880.226.0	2,1
NPT 1.1/4"	-	-	6,5	-	48	-	-	5	880.235.0	3,5
NPT 1.1/2"	-	-	7,0	-	55	-	-	5	880.240.0	5,0
NPT 2"	-	-	7,5	-	70	-	-	5	880.250.0	8,8



NPT "tiger grip" locknut, galvanised steel



Thread	Sealtite Size (NW)	Min. Internal Bore (mm)	Dimensions in mm					Standard Package	Article Number	Weight (Kg/100)
			A	B	C	D	E			
NPT 1/2"	1/2"	-	-	-	-	-	-	100	880.316.0	0,5
NPT 3/4"	3/4"	-	-	-	-	-	-	50	880.320.0	0,8
NPT 1"	1"	-	-	-	-	-	-	50	880.326.0	1,3
NPT 1.1/4"	1.1/4"	-	-	-	-	-	-	20	880.335.0	1,8
NPT 1.1/2"	1.1/2"	-	-	-	-	-	-	20	880.340.0	2,2
NPT 2"	2"	-	-	-	-	-	-	20	880.350.0	2,8
NPT 2.1/2"	2.1/2"	-	-	-	-	-	-	10	880.363.0	3,5
NPT 3"	3"	-	-	-	-	-	-	10	880.375.0	5,6



NBR sealing gasket for NPT



Thread	Sealtite Size (NW)	Min. Internal Bore (mm)	Dimensions in mm					Standard Package	Article Number	Weight (Kg/100)
			A	B	C	D	E			
NPT 1/2"	1/2"	-	-	-	-	-	-	50	815.616.0	0,03
NPT 3/4"	3/4"	-	-	-	-	-	-	25	815.620.0	0,05
NPT 1"	1"	-	-	-	-	-	-	25	815.626.0	0,11
NPT 1.1/4"	1.1/4"	-	-	-	-	-	-	10	815.635.0	0,15
NPT 1.1/2"	1.1/2"	-	-	-	-	-	-	10	815.640.0	0,19
NPT 2"	2"	-	-	-	-	-	-	10	815.650.0	0,33
NPT 2.1/2"	2.1/2"	-	-	-	-	-	-	10	815.663.0	0,45
NPT 3"	3"	-	-	-	-	-	-	10	815.675.0	0,60