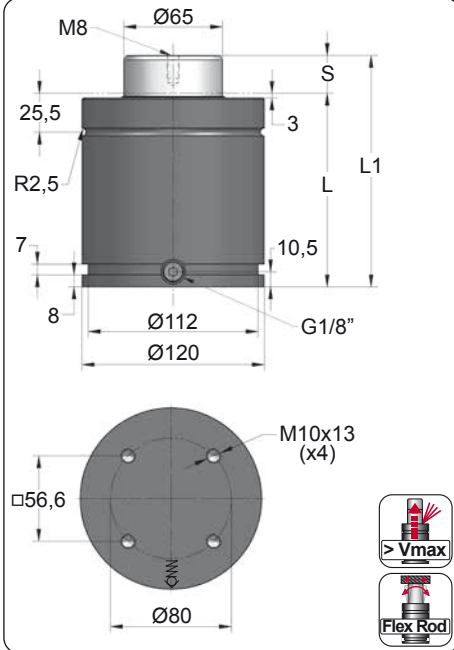


GN 5000

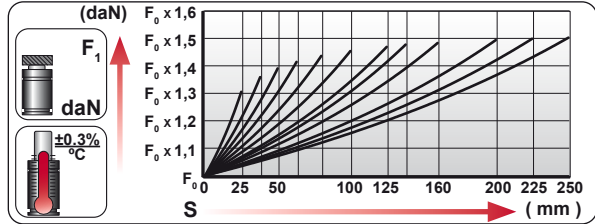
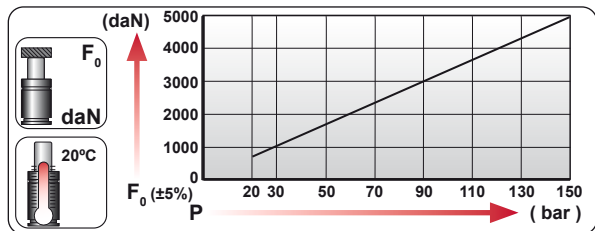
Heavy Duty





ORDER	S (mm)	L1 ±0,25 (mm)	L (mm)	Kg.
GN 5000 025	25	152.5	127.5	8.35
GN 5000 038	38	178.5	140.5	8.88
GN 5000 050	50	202.5	152.5	9.36
GN 5000 063	63	228.5	165.5	9.89
GN 5000 080	80	262.5	182.5	10.59
GN 5000 100	100	302.5	202.5	11.40
GN 5000 125	125	352.5	227.5	12.42
GN 5000 137	137.5	377.5	240	12.92
GN 5000 160	160	422.5	262.5	13.84
GN 5000 200	200	502.5	302.5	15.47
GN 5000 225	225	552.5	327.5	16.49
GN 5000 250	250	602.5	352.5	17.50

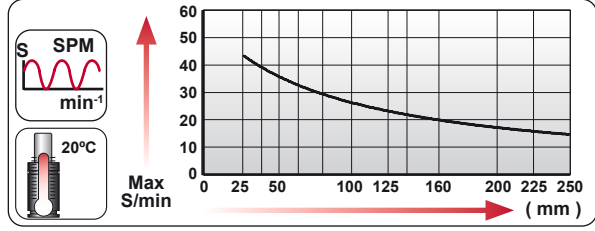
CODE	Pressure Gauge	bar	psi	F ₀ daN	F ₁ daN
GN 5000 050		150	2175	4980	6950
GN-H 5000 050		0	0	---	---



	ENG ORDER		F ₀		S
	DEU BESTELLUNG	bar	daN	daN	mm
	FRA COMMANDE	psi	daN	daN	mm
	ITA ORDINE	---	---	---	---
	ESP PEDIDO	---	---	---	---
POR PEDIDO	---	---	---	---	---

GN 5000 50

GN 5000 050

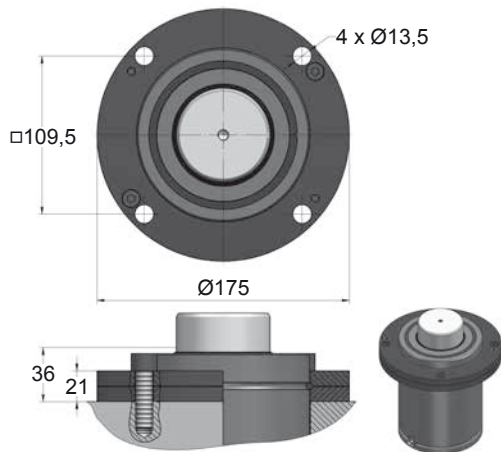


N ₂	S _{max} < 90%	V _{max} 1,6 m/s	P _{min} (20°C)	P _{max} (20°C)	T _{min}	T _{max}	600 CP-

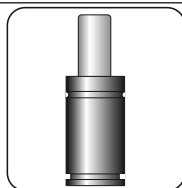
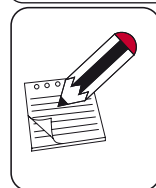
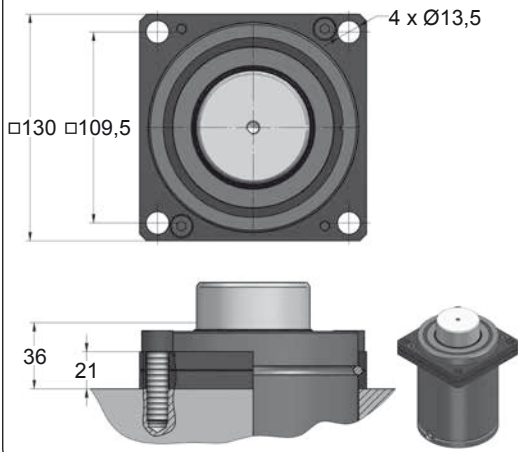
bar	psi	bar	psi	°C	°F	°C	°F
20	290	150	2175	0	32	80	176

	L1=168 L1=172	L1=190	L1=202 L1=215 L1=240	L1=240	L1=260			
MODEL	X CW 6600 KZ 6600	X	FD 5000	GN 5000 CM 6500 CD 6600	AG 5000	X	CS 11800	
SERIES	MINI 	COMPACT HEIGHT 	THREADED 	LOW PROFILE 	HEAVY DUTY 	ISO 	HEAVY LOAD >Pmax 	POWER COMPACT STROKE <S >F0

A14-120

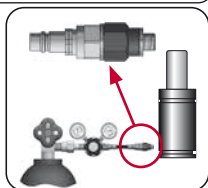
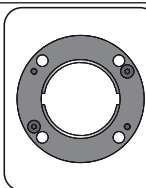


A34-120



SEAL
KIT S-XXXXXXX

CARTRIDGE
KIT C-XXXXXXX




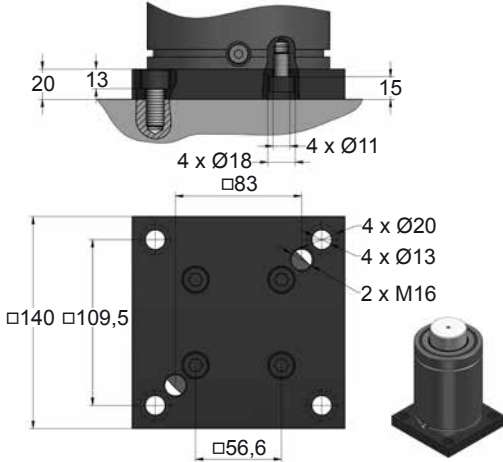
CODE	GN 5000 050	KIT S-XXXXXXX KIT C-XXXXXXX	A14-120	18 CG 1-Q
ENG ORDER	GAS SPRING	REPAIR KIT	FLANGE	CHARGING ADAPTER
DEU BESTELLUNG	GASDRUCKFEDER	ERSATZTEILSATZ	FLANSCHEN	LADEADAPTER
FRA COMMANDE	RESSORT À GAZ	KIT DE RÉPARATION	BRIDE	RACCORD DE CHARGE
ITA ORDINE	CILINDRO AD AZOTO	KIT DI MANUTENZIONE	FLANGE	ADATTATORE DI CARICO
ESP PEDIDO	RESORTE DE GAS	KIT DE REPARACION	BRIDA	ADAPTADOR DE CARGA
POR PEDIDO	CILINDRO DE GÁS	KIT DE MANUTENÇÃO	FLANGE	ADAPTADOR DE CARGA

GN 5000 MOUNTS

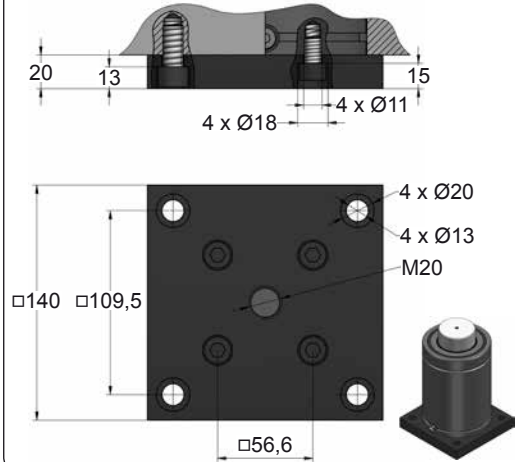
Heavy Duty

AZOL
GAS

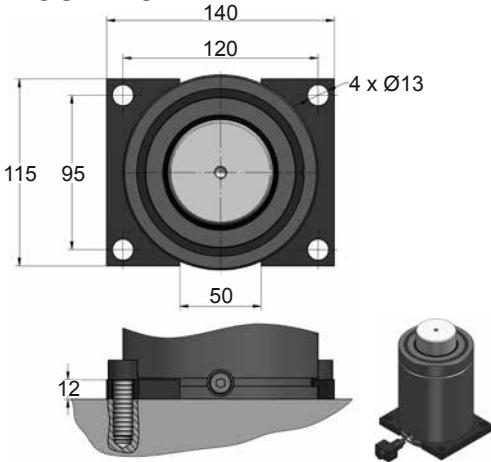
B21-120

 EM24.54.700/F


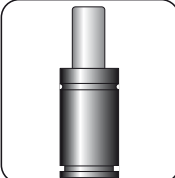
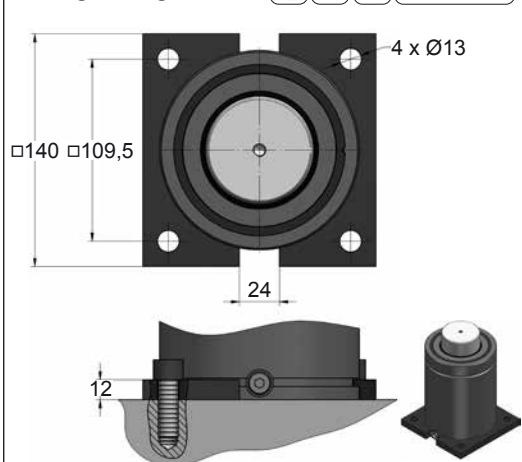
B76-120

   EM24.54.700/F


C05-120

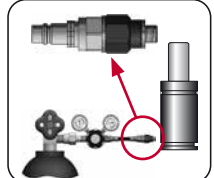
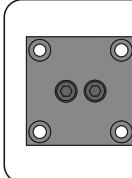


C20-120

    E24.54.815.G
EM24.54.700/F


SEAL
 KIT S-XXXXXXX

CARTRIDGE
 KIT C-XXXXXXX



CODE	GN 5000 050	KIT S-XXXXXXX KIT C-XXXXXXX	B21-120	18 CG 1-Q
ENG ORDER	GAS SPRING	REPAIR KIT	FLANGE	CHARGING ADAPTER
DEU BESTELLUNG	GASDRUCKFEDER	ERSATZTEILSATZ	FLANSCHEN	LADEADAPTER
FRA COMMANDE	RESSORT À GAZ	KIT DE RÉPARATION	BRIDE	RACCORD DE CHARGE
ITA ORDINE	CILINDRO AD AZOTO	KIT DI MANUTENZIONE	FLANGE	ADATTATORE DI CARICO
ESP PEDIDO	RESORTE DE GAS	KIT DE REPARACION	BRIDA	ADAPTADOR DE CARGA
POR PEDIDO	CILINDRO DE GÁS	KIT DE MANUTENÇÃO	FLANGE	ADAPTADOR DE CARGA



GN 5000 MOUNTS

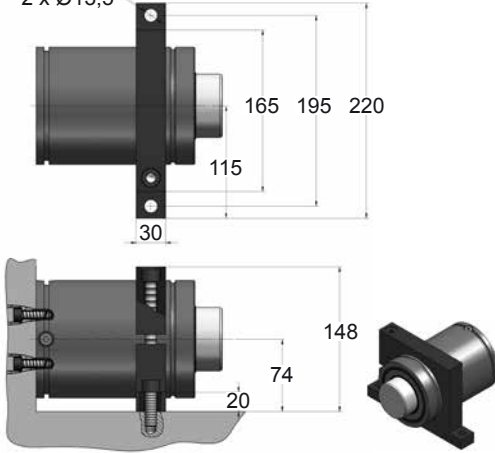
Heavy Duty

D02-120

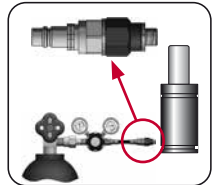
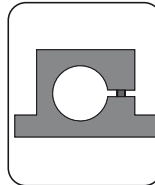
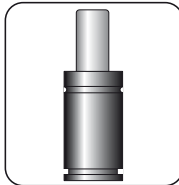
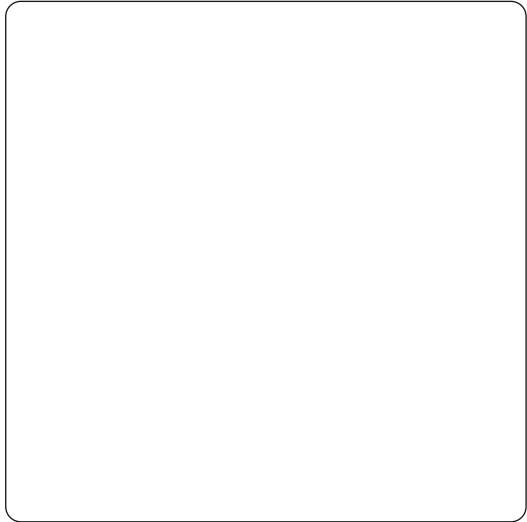
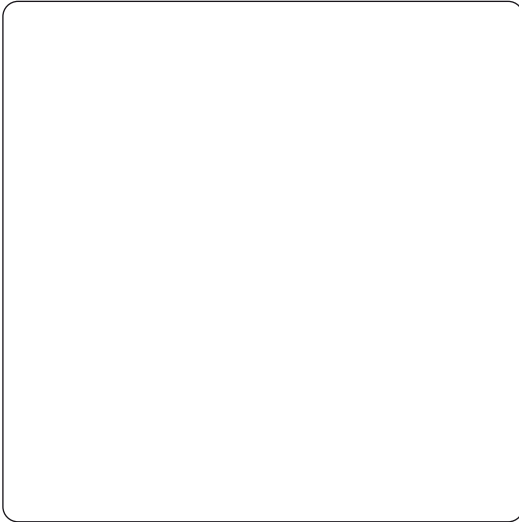
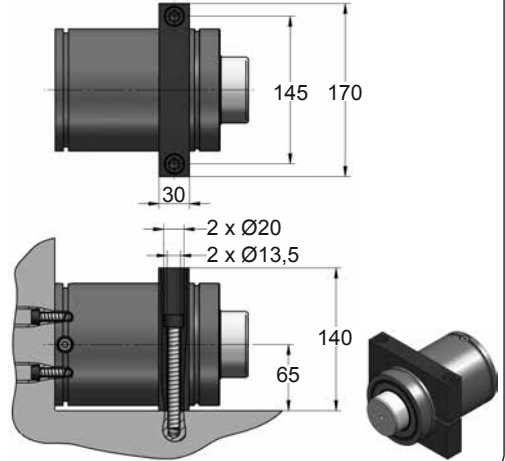
2 x Ø13,5



E24.54.815.G
EM24.54.700F



D67-120



CODE	GN 5000 050	KIT S-XXXXXXX KIT C-XXXXXXX	D02-120	18 CG 1-Q
ENG ORDER	GAS SPRING	REPAIR KIT	FLANGE	CHARGING ADAPTER
DEU BESTELLUNG	GASDRUCKFEDER	ERSATZTEILSATZ	FLANSCHEN	LADEADAPTER
FRA COMMANDE	RESSORT À GAZ	KIT DE RÉPARATION	BRIDE	RACCORD DE CHARGE
ITA ORDINE	CILINDRO AD AZOTO	KIT DI MANUTENZIONE	FLANGE	ADATTATORE DI CARICO
ESP PEDIDO	RESORTE DE GAS	KIT DE REPARACION	BRIDA	ADAPTADOR DE CARGA
POR PEDIDO	CILINDRO DE GÁS	KIT DE MANUTENÇÃO	FLANGE	ADAPTADOR DE CARGA